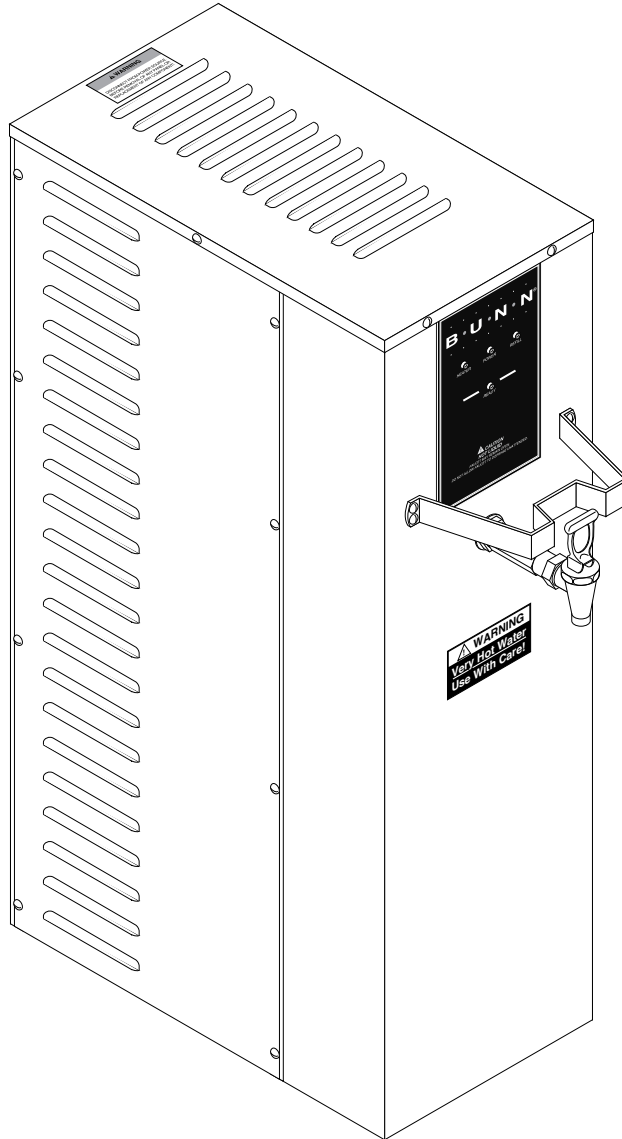


BUNN®

H10X



ILLUSTRATED PARTS CATALOG

Designs, materials, weights, specifications, and dimensions for equipment or replacement parts are subject to change without notice.

BUNN-O-MATIC CORPORATION

POST OFFICE BOX 3227

SPRINGFIELD, ILLINOIS 62708-3227

PHONE: (217) 529-6601 FAX: (217) 529-6644

WARRANTY

Bunn-O-Matic Corp. ("Bunn") warrants the equipment manufactured by it to be commercially free from defects in material and workmanship existing at the time of manufacture and appearing within one year from the date of installation. In addition:

1.) Bunn warrants electronic circuit and/or control boards to be commercially free from defects in material and workmanship for three years from the date of installation.

2.) Bunn warrants the compressor on refrigeration equipment to be commercially free from defects in material and workmanship for two years from the date of installation.

3.) Bunn warrants that the grinding burrs on coffee grinding equipment will grind coffee to meet original factory screen sieve analysis for three years from date of installation or for 30,000 pounds of coffee, whichever comes first.

This warranty does not apply to any equipment, component or part that was not manufactured by Bunn or that, in Bunn's judgement, has been affected by misuse, neglect, alteration, improper installation or operation, improper maintenance or repair, damage or casualty.

THE FOREGOING WARRANTY IS EXCLUSIVE AND IS IN LIEU OF ANY OTHER WARRANTY, WRITTEN OR ORAL, EXPRESS OR IMPLIED, INCLUDING, BUT NOT LIMITED TO, ANY IMPLIED WARRANTY OF EITHER MERCHANTABILITY OR FITNESS FOR A PARTICULAR PURPOSE. The agents, dealers or employees of Bunn are not authorized to make modifications to this warranty or to make additional warranties that are binding on Bunn. Accordingly, statements by such individuals, whether oral or written, do not constitute warranties and should not be relied upon.

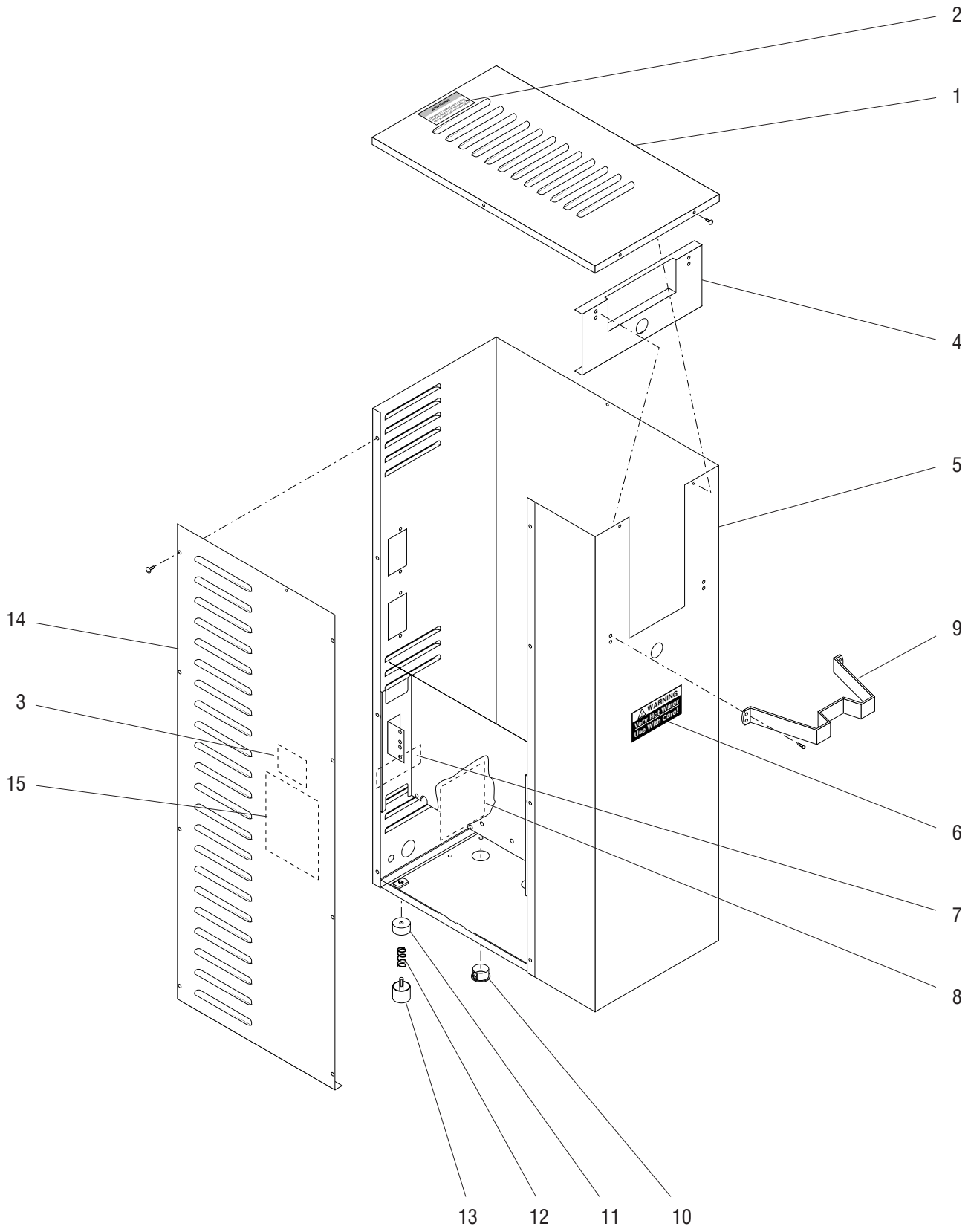
The Buyer shall give Bunn prompt notice of any claim to be made under this warranty by telephone at (217) 529-6601 or by writing to Post Office Box 3227, Springfield, Illinois, 62708-3227. If requested by Bunn, the Buyer shall ship the defective equipment prepaid to an authorized Bunn service location. If Bunn determines, in its sole discretion, that the equipment does not conform to the warranty, Bunn shall repair the equipment with no charge for parts during the warranty period and no charge for labor by a Bunn Authorized Service Representative during the warranty period. If Bunn determines that repair is not feasible, Bunn shall, at its sole option, replace the equipment or refund the purchase price for the equipment.

THE BUYER'S REMEDY AGAINST BUNN FOR THE BREACH OF ANY OBLIGATION ARISING OUT OF THE SALE OF THIS EQUIPMENT, WHETHER DERIVED FROM WARRANTY OR OTHERWISE, SHALL BE LIMITED, AS SPECIFIED HEREIN, TO REPAIR OR, AT BUNN'S SOLE OPTION, REPLACEMENT OR REFUND.

In no event shall Bunn be liable for any other damage or loss, including, but not limited to, lost profits, lost sales, loss of use of equipment, claims of Buyer's customers, cost of capital, cost of down time, cost of substitute equipment, facilities or services, or any other special, incidental or consequential damages.

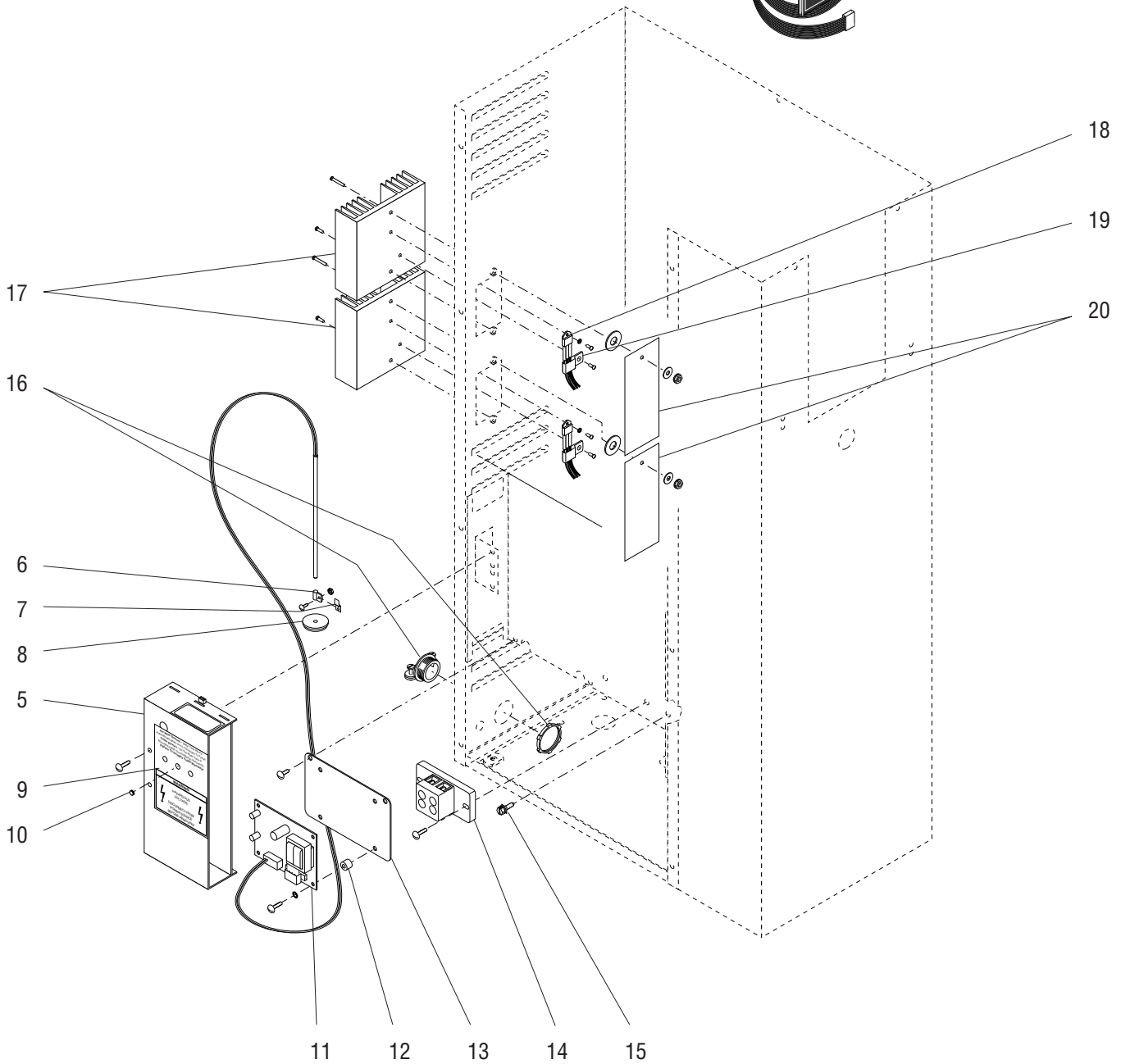
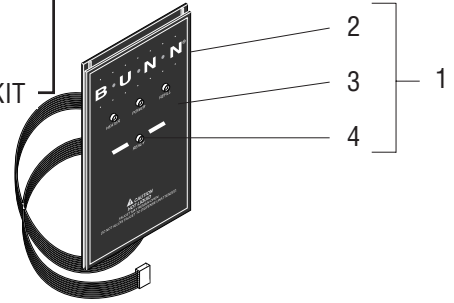
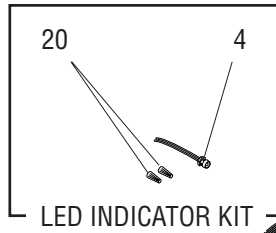
TABLE OF CONTENTS

Electronic Control & Decorative Panel	6
Housing, Cover & Panel	4
Numerical Index.....	14
Strainer/Flow Control, Solenoid & Water Lines.....	12
Tank & Faucet	10
Tank Heater & Overflow Protection Components	8



HOUSING, COVER & PANEL

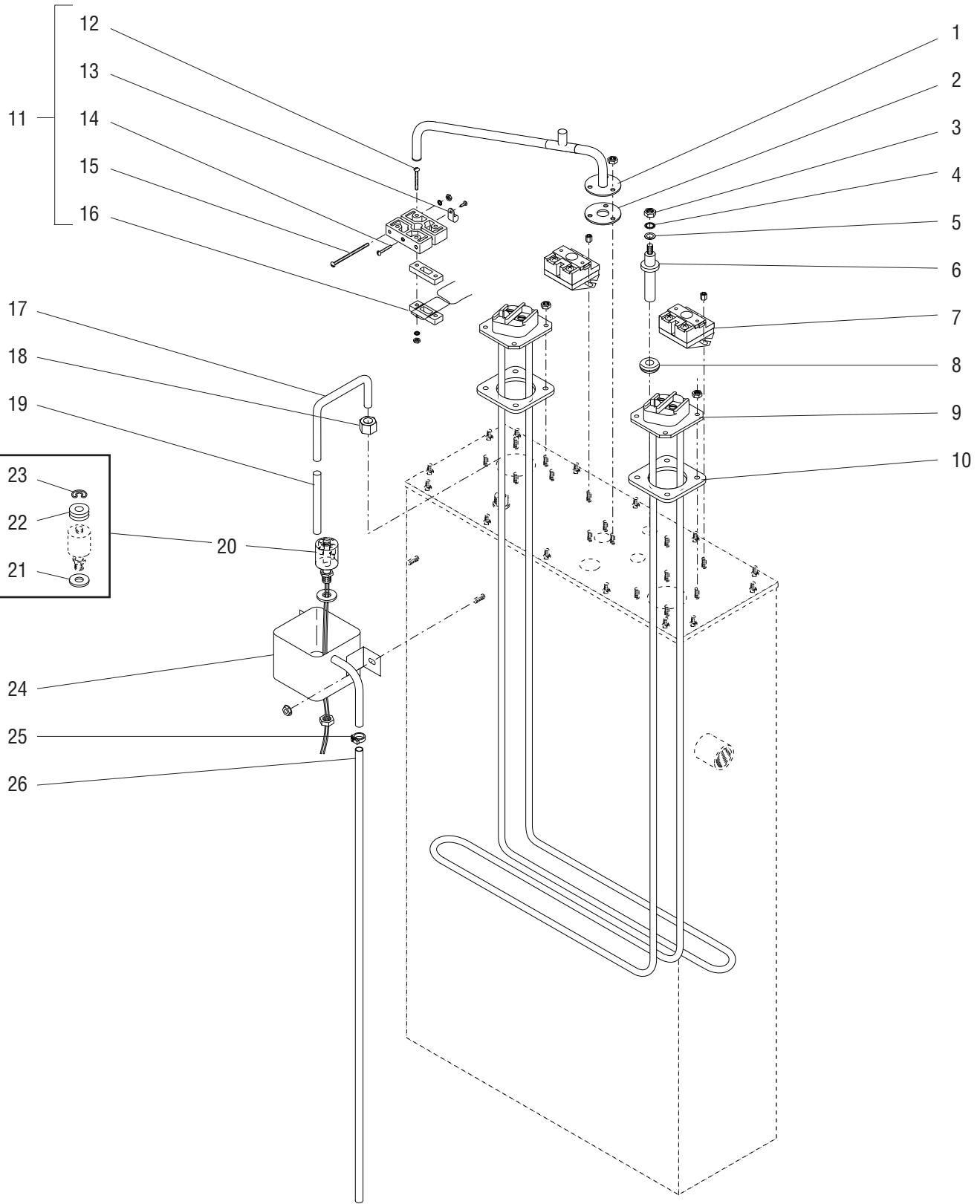
ITEM	PART NO.	QTY.	DESCRIPTION
1	26618.0000	1	Cover W/Decals, Top (Includes items 2 & 3)
	01303.0000	4	Screw, Pan Head 4 - 40 X .50"
2	10044.0000	1	Decal, Caution "Shut off power"
3	12537.0000	1	Decal - Notice 200-240V Components
4	22761.0000	1	Bracket, Faucet/Support
5	26612.0000	1	Housing W/Decals (Include items 6, 7 & 8)
6	12593.0000	1	Decal, Warning Very Hot Water
7	00656.0000	1	Decal, Comply To Plumbing Code
8	00831.0000	1	Decal, Warning - Electrical
9	12268.0000	1	Guard, Faucet/Handle
	02329.0000	4	Screw, Round Head 8 - 32 x .312" Locking
10	03011.0000	4	Plug, Vent
11	00752.0000	4	Cover, Foot
12	00751.0000	4	Spring
13	00754.0001	4	Foot/Locator
14	26611.0000	1	Panel W/Decals, Access (Includes items 3 & 15)
	01311.0001	8	Screw, Truss Head 8 - 32 X .25" Locking
15	10888.0000	1	Schematic, Electrical 208-240V



ELECTRONIC CONTROL & DECORATIVE PANEL

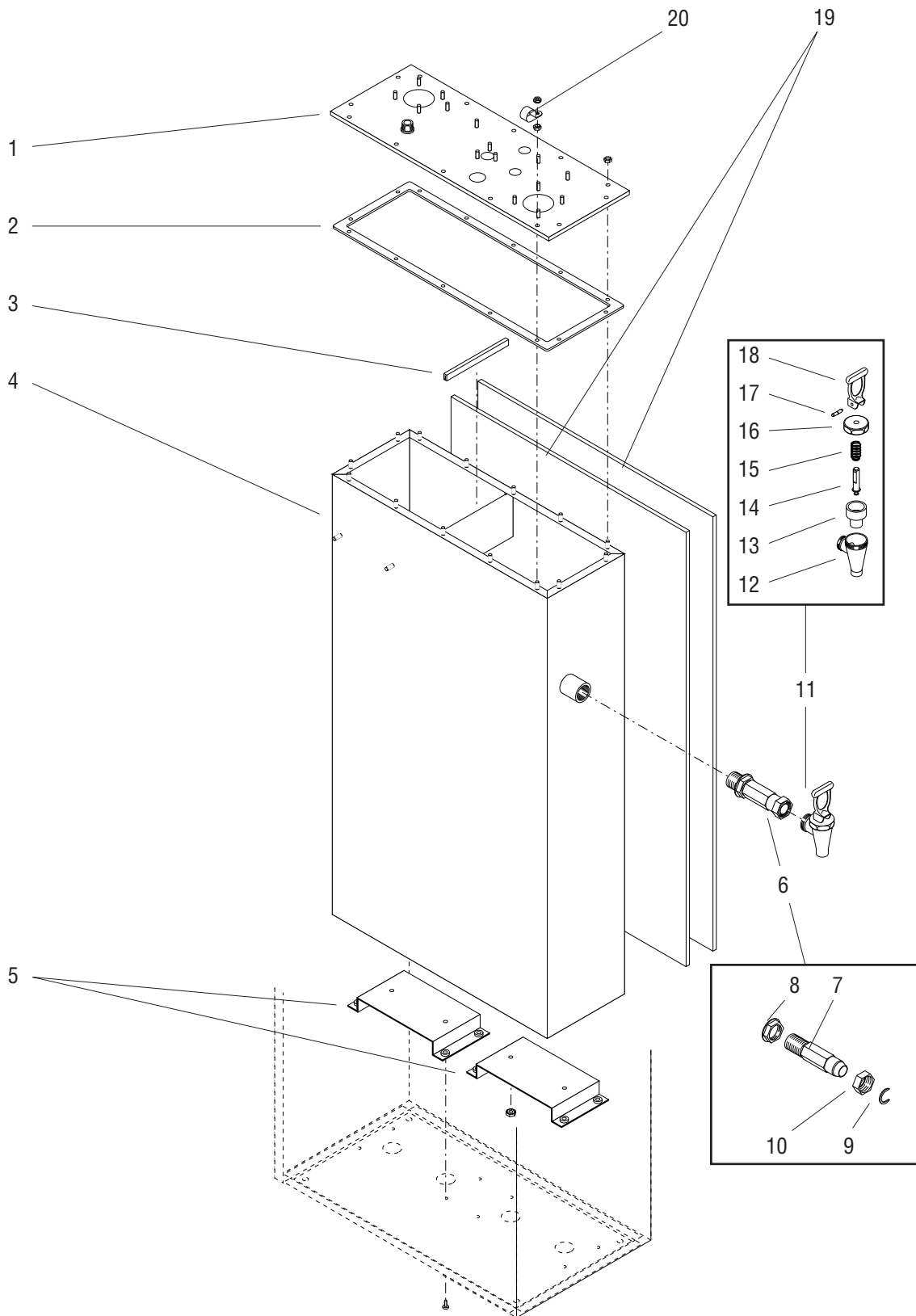
ITEM	PART NO.	QTY.	DESCRIPTION
1	21112.1002	1	Panel Assy W/LED Indicators (Includes items 2, 3 & 4)
2	21033.0000	1	Panel W/Decal (Includes item 3)
3	21031.0000	1	Decal, Decorative - Front Panel
4	-----	4	LED, Indicator (Order item 22)
5	12592.1004	1	Control Assy, Electronic 200-240V 212° F (Includes items 6 thru 10)
	01311.0000	2	Screw, Pan Head 8 - 32 x .25"
6	26263.0000	1	Clamp, Steel .12"/.19"
	01382.0000	1	Screw, Truss Head 6 - 32 x .375"
	00973.0000	1	Nut, Keps 6 - 32
7	01667.0000	1	Terminal, .25"
8	12570.0000	1	Grommet, Temp. Sensor
9	12559.0002	1	Decal, Caution/Warning
10	00619.0002	1	Plug, Hole .250" Dia
11	24406.0001	1	Interlock, Dry Plug-in
	01510.0000	4	Lockwasher, External Tooth #6
	01388.0000	4	Screw, Truss Head #6 - 32 x .75"
12	01533.0000	4	Spacer, .375"
13	25394.0000	1	Plate, Mounting
	02308.0000	2	Screw, Pan Head 8 - 32 x .375"
14	01106.0001	1	Terminal Block, 2 Pole
	01331.0000	2	Screw, Round Head #10 - 32 x .50"
15	01309.0000	1	Ground Screw W/Terminal Washer 10 - 32 x .50"
16	01590.0000	1	Connector, Cable
17	20541.0001	2	Heat Sink
	01388.0002	2	Screw, Truss Head 6 - 32 x .75"
	01347.0002	2	Screw, Truss Head 6 - 32 x .375"
18	12565.0009	2	Triac Assy, 40 Amp
	02328.0003	2	Screw, Pan Head 6 - 32 x .312"
	01520.0000	2	Lockwasher, Split #6
19	20767.0000	2	Clamp, Cable
	01347.0002	2	Screw, Truss Head 6 - 32 x .375"
20	00637.0004	2	Shield, Triac
	01543.0000	2	Washer, Flat .375" I.D. x .875" O.D.
	01522.0000	2	Washer, Flat .203" I.D. X .50" O.D.
	00973.0000	2	Nut, Keps 6 - 32
21	01570.0000	2	Wire Nut, 2-24 AWG Min. Yellow
22	12517.0001	1	Kit, LED Indicator (Includes one LED & item 21)
23	26081.0000	1	Wiring Harness, 200-240V (Not illustrated)
24	M2522.1000	-	Heat Sink Compound 5 oz. (Not illustrated)

Also order item 24



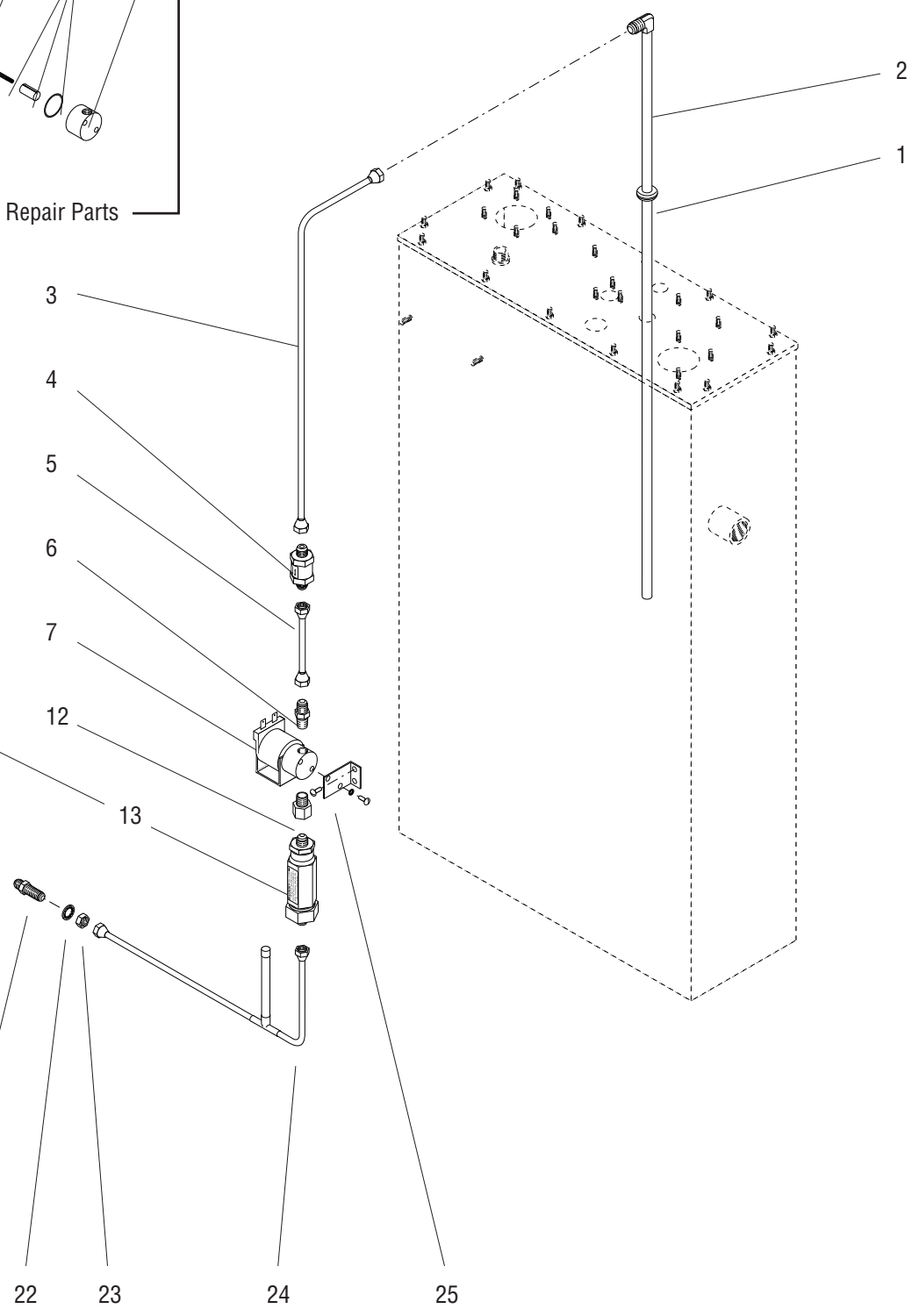
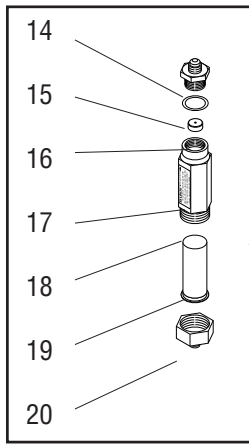
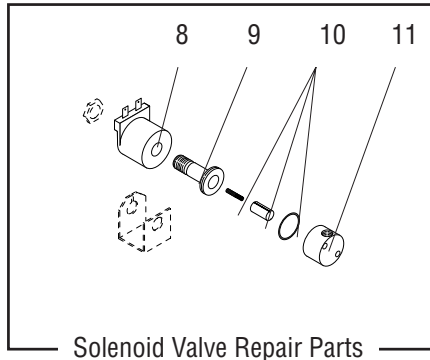
TANK HEATER & OVERFLOW PROTECTION COMPONENTS

ITEM	PART NO.	QTY.	DESCRIPTION
1	24645.0000	1	Tube, Overflow
	00908.0000	3	Nut, Hex 8 - 32
2	05515.0000	1	Gasket, Overflow Tube
3	00908.0000	1	Nut, Hex 8 - 32
4	20203.0100	1	Lockwasher, Internal Tooth #8
5	01501.0000	1	Washer, .164" I.D. x .375" O.D.
6	20936.1000	1	Probe Kit, Water Level (Includes items 3, 4 & 5)
7	23717.0001	2	Thermostat, Limit
	00932.0000	4	Spacer, Hex 8 - 32 x .375"
8	02536.0000	1	Grommet, .375" I.D.
9	21953.1001	2	Tank Heater Kit 4000W 240V
	21953.1000	2	Tank Heater Kit 4000W 208V
	00908.0000	8	Nut, Hex 8 - 32
			} Includes item 10
10	12398.0000	2	Gasket, Tank Heater
11	12586.0001	1	Thermistor Assy (Includes items 12 thru 16)
12	02370.0001	2	Screw, Pan Head 6 - 32 x 1.25"
	01520.0000	2	Lockwasher, Split #6
	00906.0000	2	Nut, 6 - 32
13	04831.0000	1	Clamp, Thermistor
	01382.0000	1	Screw, Truss Head 6 - 32 x .38"
14	01388.0000	1	Screw, Truss Head 6 - 32 X .75"
15	02370.0002	2	Screw, Pan Head 6 - 32 x 2.0"
	01520.0000	2	Lockwasher, Split #6
	00906.0000	2	Nut, 6 - 32
16	12551.0001	1	Thermistor
17	25396.0000	1	Tube Assy, Overflow (Includes item 18)
18	00929.0001	1	Nut/Sleeve, Compression .38"
19	-----	1	Tube, Silicone .312" I.D. x 3.0" (Order item 27)
20	03803.0000	1	Switch Assy, Liquid Level (Includes items 21, 22 & 23)
	00946.0000	1	Nut, Hex .125" FPT
21	03633.0000	2	Gasket, Float Switch (Only 1 used in this application)
22	-----	3	Washer, Adjusting (DO NOT USE IN THIS APPLICATION)
23	03807.0000	1	Clip, Spring
24	22728.0000	1	Overflow Cup Assy
	00971.0000	2	Nut, Keps #10 - 32
25	12422.0000	1	Clamp, Hose .47"/.54" I.D.
26	-----	1	Tube, Silicone .312" I.D. x 23.0" (Order item 27)
27	03236.1000	-	Tube, Silicone .312" I.D. x 12.0"
	03236.1001	-	Tube, Silicone .312" I.D. x 36.0"
	03236.1002	-	Tube, Silicone .312" I.D. x 120.0"
	03236.1003	-	Tube, Silicone .312" I.D. x 60.0"



TANK & FAUCET

ITEM	PART NO.	QTY.	DESCRIPTION
1	22529.0000	1	Lid, Tank
	00908.0000	14	Nut, 8 - 32
2	20883.0000	1	Gasket, Tank lid
3	-----	1	U-Channel (4.60") (Order item 22)
4	22531.0000	1	Tank
5	22534.0000	2	Bracket, Tank Mounting
	00971.0000	4	Nut, Keps 10 - 32
	02308.0000	8	Screw, Pan Head 8 - 32 x .50"
6	01262.0000	1	Faucet Shank Assy (Includes items 7 thru 10) (Also see item 21)
7	-----	1	Faucet Shank Body (Not available order item 6)
8	07119.0000	1	Faucet Shank Nut
9	01221.0000	1	Faucet Shank C-Ring
10	01268.0000	1	Faucet Union Nut
11	07094.0002	1	Faucet Assy (Includes items 12 thru 18)
12	-----	1	Faucet Body (Not available order item 11)
13	00600.0000	1	Faucet Seat Cup
14	01284.0000	1	Faucet Stem W/Pin (Includes item 17)
15	00601.0000	1	Faucet Spring
16	07127.0000	1	Faucet Bonnet Nut
17	01219.0000	1	Faucet Handle Pin
18	07244.0000	1	Faucet Handle
19	01024.0001	2	Insulation, Tank
20	00603.0000	1	Clamp
	00970.0000	1	Nut, Keps 8 - 32
21	M2517.0000	1	Sealant, Pipe-PST 6 ml (Not illustrated)
22	02434.1000	-	U-Channel (18.0") (Not illustrated)
23	28710.0000	-	Faucet Kit (Includes items 13,14,15 & 18)



STRAINER/FLOW CONTROL, SOLENOID & WATER LINES

ITEM	PART NO.	QTY.	DESCRIPTION
1	02536.0000	1	Grommet, .375" I.D.
2	25395.0000	1	Tube, Fill
3	26257.0000	1	Tube Assy, Check Valve to Fill Tube (Includes nuts)
4	01171.0001	1	Check Valve (Refer to item 25 for Repair Kit)
5	26256.0000	1	Tube Assy, Solenoid to Check Valve (Includes nuts)
6	00402.0001	1	Connector, .250" Flare x .125" MPT
7	01975.0000	1	Solenoid Valve Assy, 208-240V
	01327.0000	2	Screw, Pan Head 10 - 32 x .375"
	01502.0000	2	Lockwasher, Split #10
8	01100.0000	1	Solenoid Valve Coil, 208-240V
9	01116.0000	1	Sleeve Assy, Solenoid Valve
10	01111.0000	1	Solenoid Valve Repair Kit (Contains a Spring, Plunger & Seal)
11	01079.0000	1	Solenoid Valve Base
12	24613.0001	1	Adapter, .25" Female Flare x .125" MPT
13	22300.0750	1	Strainer/Flow Control Assy (.750 GPM) (Includes items 14 thru 20)
14	01154.0000	1	Flow Control Outlet
15	01155.0000	1	Flow Control Gasket
16	20526.1750	1	Flow Washer/Gasket Set, .750 GPM (Includes item 15)
17	22307.0750	1	Decal, Strainer/Flow Control (.750 GPM)
18	-----	1	Body (Not Available order item 13)
19	23721.0000	1	Screen
20	22249.0000	1	End Cap
21	00459.0000	1	Bulkhead Fitting, .250" Flare
22	01532.0000	1	Lockwasher, Internal Tooth .438" I.D.
23	00463.0000	1	Nut, Hex .438" - 20
24	26255.0000	1	Tube Assy, Bulkhead to Strainer/Flow Control (Includes nuts)
25	04623.0001	1	Bracket, Solenoid Valve Mounting
	01311.0000	2	Screw, Truss Head 8 - 32 x .25"
26	01170.0000	1	Check Valve Repair Kit (Contains a Gasket, Spring & Seat Assembly) (Not illustrated)

NUMERICAL INDEX

PART NO.	PAGE NO.	PART NO.	PAGE NO.	PART NO.	PAGE NO.	PART NO.	PAGE NO.
00402.0001	13	01590.0000	7	22534.0000	11		
00459.0000	13	01667.0000	7	22728.0000	9		
00463.0000	13	01975.0000	13	22761.0000	5		
00600.0000	11	02308.0000	7,11	23717.0001	9		
00601.0000	11	02328.0003	7	23721.0000	13		
00603.0000	11	02329.0000	5	24406.0001	7		
00619.0002	7	02370.0001	9	24613.0001	13		
00637.0004	7	02370.0002	9	24645.0000	9		
00656.0000	5	02434.1000	11	25394.0000	7		
00751.0000	5	02536.0000	9,13	25395.0000	13		
00752.0000	5	03011.0000	5	25396.0000	9		
00754.0001	5	03236.1000	9	26081.0000	7		
00831.0000	5	03236.1001	9	26255.0000	13		
00906.0000	9	03236.1002	9	26256.0000	13		
00908.0000	9,11	03236.1003	9	26257.0000	13		
00929.0001	9	03633.0000	9	26263.0000	7		
00932.0000	9	03803.0000	9	26611.0000	5		
00946.0000	9	03807.0000	9	26612.0000	5		
00970.0000	11	04623.0001	13	26618.0000	5		
00971.0000	9,11	04831.0000	9	28710.0000	11		
00973.0000	7	05515.0000	9	M2517.0000	11		
01024.0001	11	07094.0002	11	M2522.1000	7		
01079.0000	13	07119.0000	11				
01100.0000	13	07127.0000	11				
01106.0001	7	07244.0000	11				
01111.0000	13	10044.0000	5				
01116.0000	13	10888.0000	5				
01154.0000	13	12268.0000	5				
01155.0000	13	12398.0000	9				
01170.0000	13	12422.0000	9				
01171.0001	13	12517.0001	7				
01219.0000	11	12537.0000	5				
01221.0000	11	12551.0001	9				
01262.0000	11	12559.0002	7				
01268.0000	11	12565.0009	7				
01284.0000	11	12570.0000	7				
01303.0000	5	12586.0001	9				
01309.0000	7	12592.0004	7				
01311.0000	7,13	12593.0000	5				
01311.0001	5	20203.0100	9				
01327.0000	13	20526.1750	11				
01331.0000	7	20541.0001	7				
01347.0002	7	20767.0000	7				
01382.0000	7,9	20883.0000	11				
01388.0000	7,9	20936.1000	9				
01388.0002	7	21031.0000	7				
01501.0000	9	21033.0000	7				
01502.0000	13	21112.1002	7				
01510.0000	7	21953.1000	9				
01520.0000	7,9	21953.1001	9				
01522.0000	7	22249.0000	13				
01532.0000	13	22300.0750	13				
01533.0000	7	22307.0750	13				
01543.0000	7	22529.0000	11				
01570.0000	7	22531.0000	11				