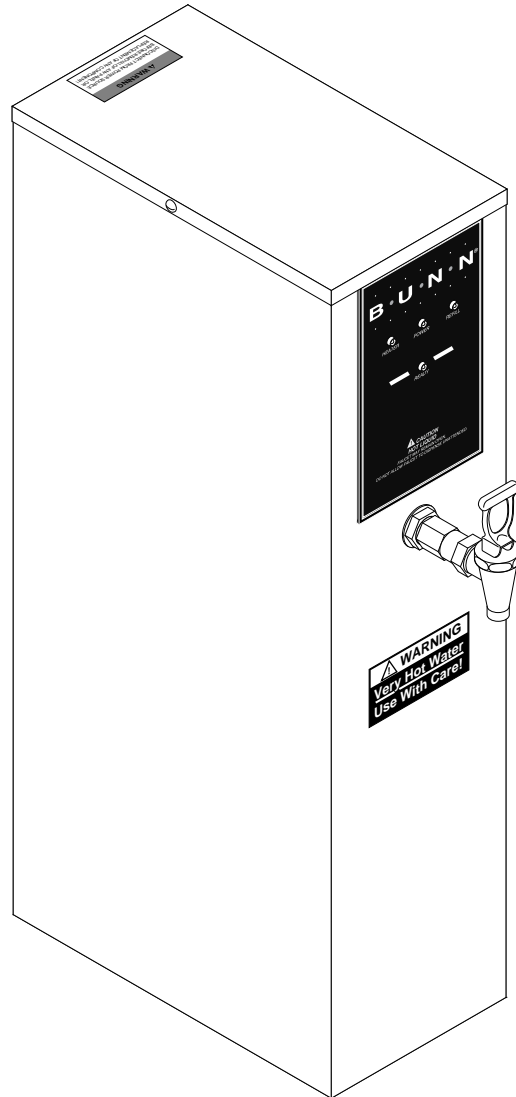


BUNN®

H5E
H5M
H5X



ILLUSTRATED PARTS CATALOG

Designs, materials, weights, specifications, and dimensions for equipment or replacement parts are subject to change without notice.

BUNN-O-MATIC CORPORATION

POST OFFICE BOX 3227

SPRINGFIELD, ILLINOIS 62708-3227

PHONE: (217) 529-6601 FAX: (217) 529-6644

BUNN-O-MATIC COMMERCIAL PRODUCT WARRANTY

Bunn-O-Matic Corp. ("BUNN") warrants equipment manufactured by it as follows:

- 1) All equipment other than as specified below: 2 years parts and 1 year labor.
- 2) Electronic circuit and/or control boards: parts and labor for 3 years.
- 3) Compressors on refrigeration equipment: 5 years parts and 1 year labor.
- 4) Grinding burrs on coffee grinding equipment to grind coffee to meet original factory screen sieve analysis: parts and labor for 3 years or 30,000 pounds of coffee, whichever comes first.

These warranty periods run from the date of installation BUNN warrants that the equipment manufactured by it will be commercially free of defects in material and workmanship existing at the time of manufacture and appearing within the applicable warranty period. This warranty does not apply to any equipment, component or part that was not manufactured by BUNN or that, in BUNN's judgment, has been affected by misuse, neglect, alteration, improper installation or operation, improper maintenance or repair, damage or casualty. This warranty is conditioned on the Buyer 1) giving BUNN prompt notice of any claim to be made under this warranty by telephone at (217) 529-6601 or by writing to Post Office Box 3227, Springfield, Illinois 62708-3227; 2) if requested by BUNN, shipping the defective equipment prepaid to an authorized BUNN service location; and 3) receiving prior authorization from BUNN that the defective equipment is under warranty.

THE FOREGOING WARRANTY IS EXCLUSIVE AND IS IN LIEU OF ANY OTHER WARRANTY, WRITTEN OR ORAL, EXPRESS OR IMPLIED, INCLUDING, BUT NOT LIMITED TO, ANY IMPLIED WARRANTY OF EITHER MERCHANTABILITY OR FITNESS FOR A PARTICULAR PURPOSE. The agents, dealers or employees of BUNN are not authorized to make modifications to this warranty or to make additional warranties that are binding on BUNN. Accordingly, statements by such individuals, whether oral or written, do not constitute warranties and should not be relied upon.

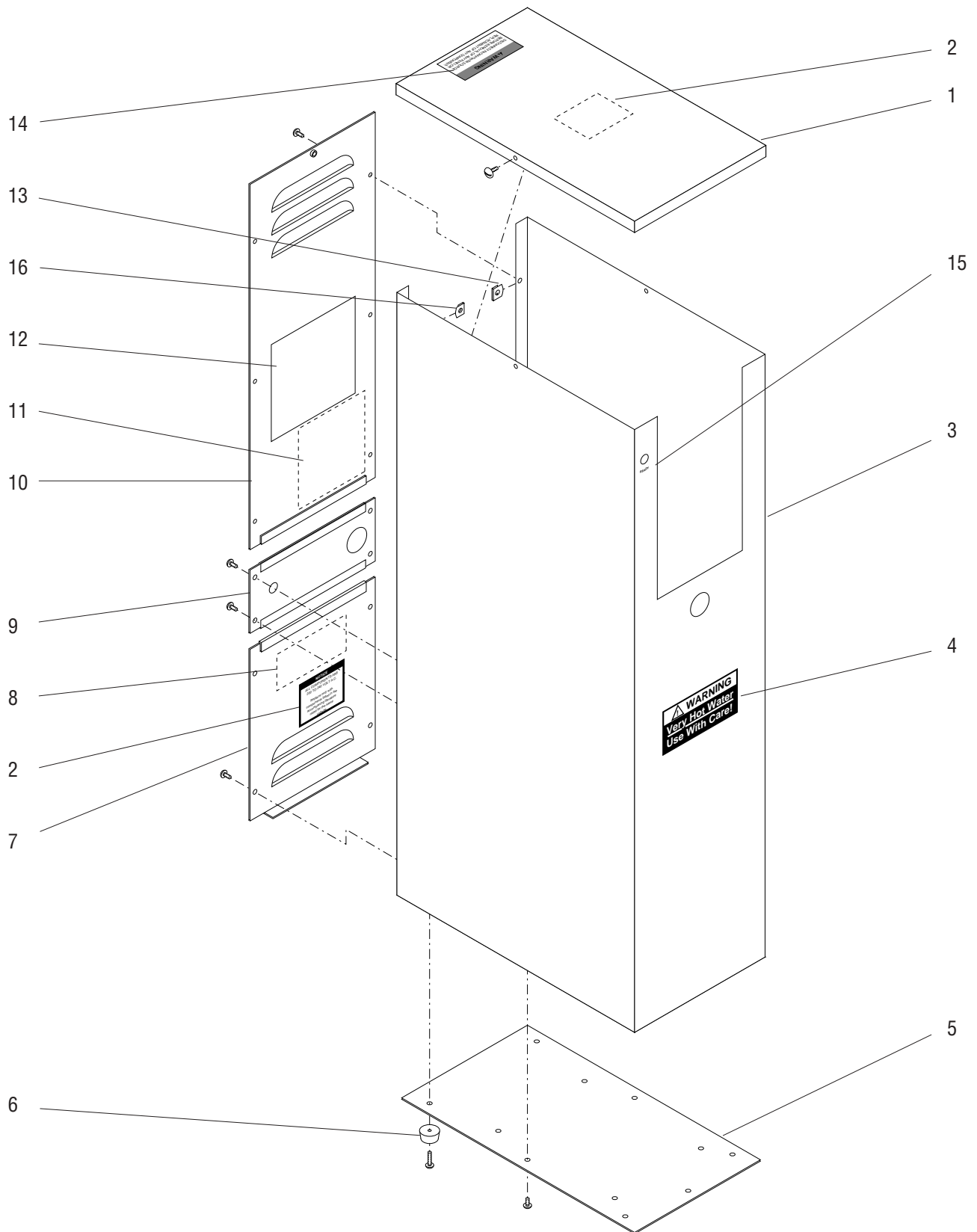
If BUNN determines in its sole discretion that the equipment does not conform to the warranty, BUNN, at its exclusive option while the equipment is under warranty, shall either 1) provide at no charge replacement parts and/or labor (during the applicable parts and labor warranty periods specified above) to repair the defective components, provided that this repair is done by a BUNN Authorized Service Representative; or 2) shall replace the equipment or refund the purchase price for the equipment.

THE BUYER'S REMEDY AGAINST BUNN FOR THE BREACH OF ANY OBLIGATION ARISING OUT OF THE SALE OF THIS EQUIPMENT, WHETHER DERIVED FROM WARRANTY OR OTHERWISE, SHALL BE LIMITED, AT BUNN'S SOLE OPTION AS SPECIFIED HEREIN, TO REPAIR, REPLACEMENT OR REFUND.

In no event shall BUNN be liable for any other damage or loss, including, but not limited to, lost profits, lost sales, loss of use of equipment, claims of Buyer's customers, cost of capital, cost of down time, cost of substitute equipment, facilities or services, or any other special, incidental or consequential damages.

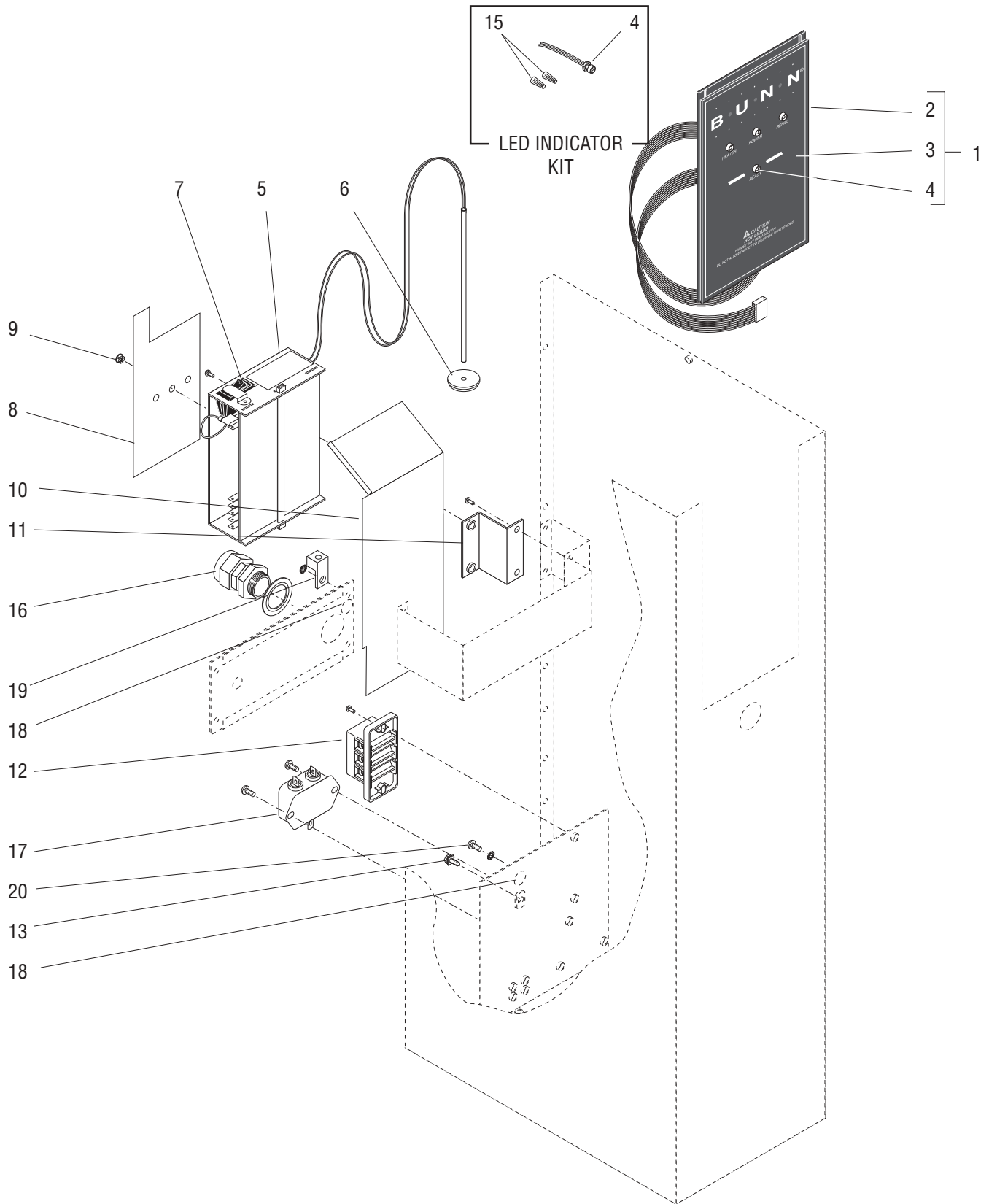
TABLE OF CONTENTS

Electronic Control & Decorative Panel With Indicator Lights	6
Housing, Covers & Panels	4
Mechanical Thermostat & Decorative Front Panel	8
Numerical Index.....	24
Strainer/Flow Control - Solenoid & Water Lines	18
Tank & Faucet	16
Tank Heater & Safety Devices	12
Wall Brackets, Drip Tray & Wire Shelf.....	22



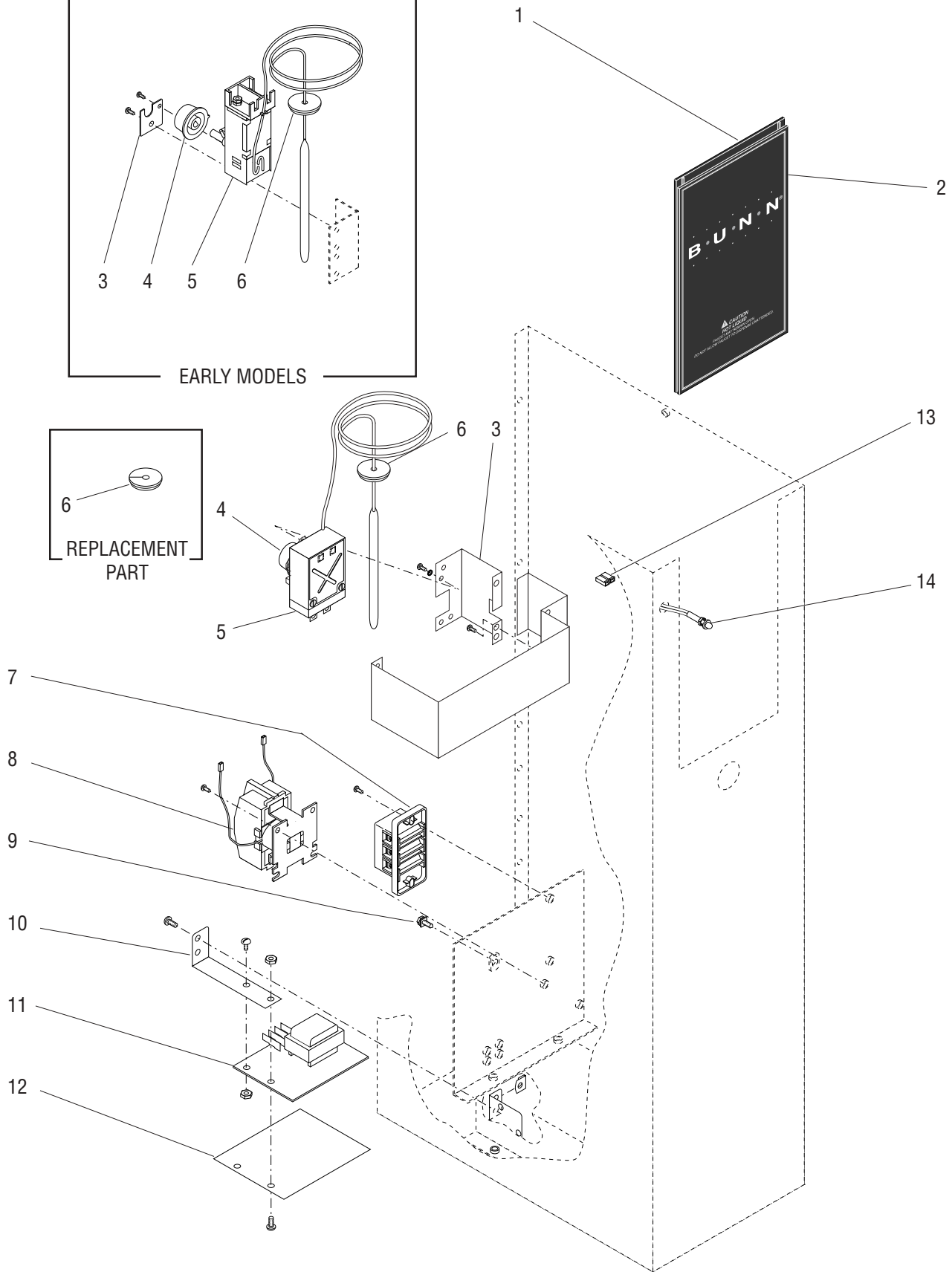
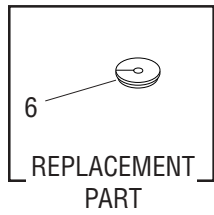
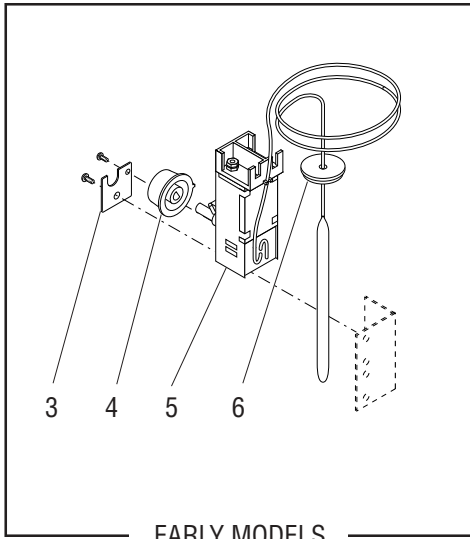
HOUSING, COVERS & PANELS

ITEM	PART NO.	QTY.	DESCRIPTION
1	27353.0000	1	Cover W/Decal (Includes item 14) (For 208 & 240V Dispensers also order item 2)
	01303.0000	3	Screw, Pan Head #4 - 40 X .50"
2	12537.0000	2	Decal - Notice 200-240V Components (Used on 208 & 240V Dispensers only)
3	23535.0000	1	Housing W/Decal (Includes item 4)
	23535.0001	1	Housing W/Decal (Includes items 4 & 15)(Dispensers W/Ready Light)
4	12593.0000	1	Decal, Warning Very Hot Water (Not used on 72° & 100° F Dispensers)
5	12509.0000	1	Plate, Bottom
	01315.0000	7	Screw, Truss Head #8 - 32 X .38"
6	00731.0000	4	Foot, Rubber
	01390.0000	4	Screw, Round Head #8 - 32 X .62"
7	23534.0000	1	Panel W/Decal, Rear - Lower (Includes item 8) (For 208 & 240V Dispensers also order item 2)
	01311.0000	4	Screw, Truss Head #8 - 32 X .25"
8	00656.0000	1	Decal, Comply To Plumbing Code
9	12507.0000	1	Panel, Rear - Middle
	01311.0000	3	Screw, Truss Head #8 - 32 X .25"
	01317.0000	1	Screw, Truss Head #8 - 32 X .50"
10	23533.0001	1	Panel W/Decal, Rear - Upper (Includes item 11) (Also order item 12)
	01311.0000	5	Screw, Truss Head #8 - 32 X .25"
	01315.0000	1	Screw, Truss Head #8 - 32 X .38"
11	00831.0000	1	Decal, Warning - Electrical
12	10331.0000	1	Schematic, Electrical 120V H5E
	10332.0000	1	Schematic, Electrical 208-240V H5E
	10410.0000	1	Schematic, Electrical 120V H5X
	10411.0000	1	Schematic, Electrical 208-240V H5X
	10262.0000	1	Schematic, Electrical 240V (Dispensers W/Ready Light)
	10243.0000	1	Schematic, Electrical 120V (Dispensers W/Ready Light)
	-----	1	Schematic, Electrical 230V H5MA
	-----	1	Schematic, Electrical 230V H5EA, H5XA
13	00917.0000	9	Clip, J-Type #8 - 32
14	10044.0000	1	Decal, "Shut Off Power"
15	20749.0000	1	Decal, Ready
16	00912.0000	1	Clip, J-Type #8 - 32



ELECTRONIC CONTROL & DECORATIVE PANEL WITH INDICATOR LIGHTS

ITEM	PART NO.	QTY.	DESCRIPTION	
1	21112.1000	1	Panel Assy W/LED Indicators (Includes items 2, 3 & 4)	
2	21033.0000	1	Panel W/Decal (Includes item 3)	
3	21031.0000	1	Decal, Decorative - Front Panel	
4	-----	4	LED, Indicator (Order item 14)	
5	12560.1007	1	Control Assy, Electronic, Multi-Range	Includes item 6 thru 9
	12560.1001	1	Control Assy, Electronic 120V 100° F	
	12560.1002	1	Control Assy, Electronic 120V 200° F	
	12560.1003	1	Control Assy, Electronic 208-240V 100° F	
	12560.1004	1	Control Assy, Electronic 208-240V 200° F	
	12560.1016	1	Control Assy, Electronic 120V 72° F	
	12560.1020	1	Control Assy, Electronic 120V 108° F	
	12592.1001	1	Control Assy, Electronic 120V 212° F	
	12592.1002	1	Control Assy, Electronic 208-240V 212° F	
	01311.0000	2	Screw, Pan Head #8 - 32 x .25"	
6	12570.0000	1	Grommet, Temp. Sensor	
7	04786.0002	1	Switch, On/Off	
8	12559.0000	1	Decal, Caution/Warning	
9	00619.0002	1	Plug, Hole .250" Dia.	
10	22920.0000	1	Shield, ECA Control	
11	22921.0000	1	Bracket, Electronic Control Mounting	
	02308.0000	2	Screw, Pan Head #8 - 32 x .375"	
12	01106.0000	1	Terminal Block, 2 Pole (120V)	
	01106.0003	1	Terminal Block, 2 Pole (230V)	
	07038.0000	1	Terminal Block, 3 Pole (208-240V) (Shown)	
	01317.0000	2	Screw, Truss Head #8 - 32 x .50"	
13	01309.0000	1	Ground Screw W/Terminal Washer #10 - 32 x .50" (120V)	
	01375.0000	1	Screw, Pan Head, slotted #10 - 32 x .50"	230V Models
	01512.0000	1	Lockwasher, Ext. tooth #10	
14	12517.0001	1	Kit, LED Indicator (Includes one LED & item 15)(Not Illustrated)	
	25292.0000	1	Lockwasher M6	
	34130.0000	1	Nut M6	
15	01570.0000	2	Wire Nut, 2-24 AWG Min. Yellow	
16	32833.0000	1	Strain Relief, Cord	230V Models
	01531.0000	1	Washer, Reducing	
17	29446.0000	1	EMI Filter	
	01311.0000	2	Screw, Truss Head #8-32 x .25"	
18	00824.0000	2	Decal, Ground	
19	27705.0000	1	Terminal Lug	
	01512.0000	1	Lockwasher, Ext. tooth #10	
20	23531.0000	1	Screw	
	01511.0000	1	Lockwasher, Ext. tooth #8	
21	12575.0001	1	Wiring Harness, 120V	
	12576.0001	1	Wiring Harness, 208-240V	
	12576.0002	1	Wiring Harness, 230V	
22	21014.0034	1	Lead Assy, 14AWG Blk 7.0" Tank Heater to Limit (120/240V)	
	27945.0000	1	Lead, Thermal Cut-off, Blk 8.5" (230V)	

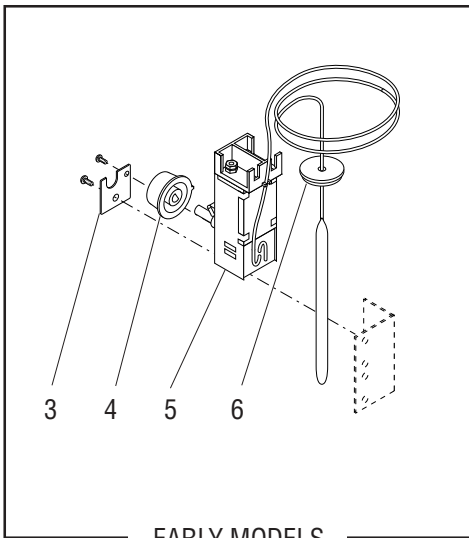


MECHANICAL THERMOSTAT & DECORATIVE FRONT PANEL

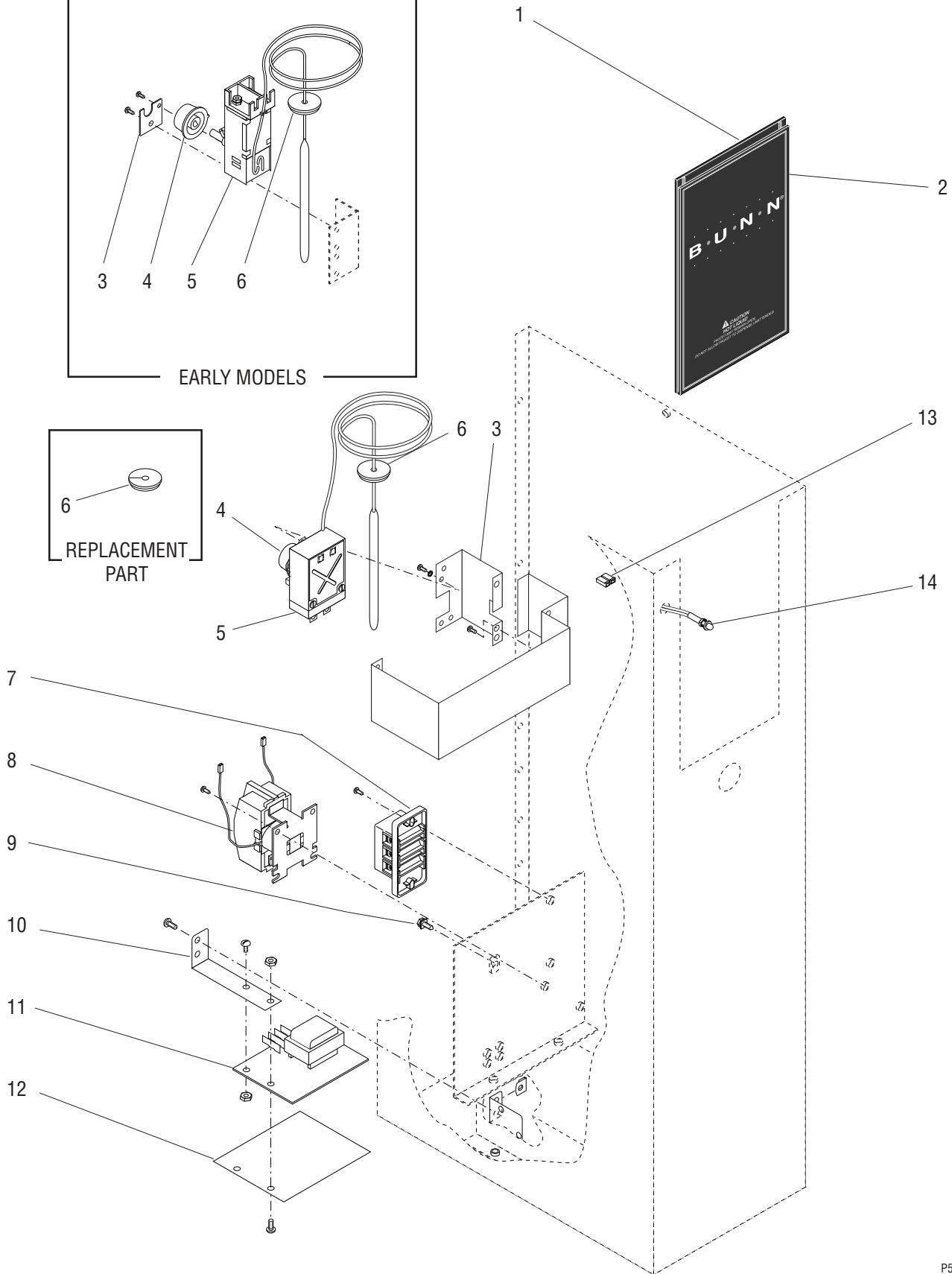
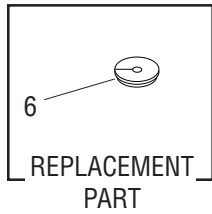
ITEM	PART NO.	QTY.	DESCRIPTION
1	21033.0001	1	Panel W/Decal (Includes item 2)
2	21031.0001	1	Decal, Front - Decorative
3	01074.0000	1	Bracket, Thermostat Mounting (Early Models)
	01311.0000	1	Screw, Truss Head #8 - 32 x .25"
	28195.0000	1	Bracket, Thermostat Mounting (Late Models)
	01311.0000	2	Screw, Truss Head #8-32 x .25"
4	00720.0000	1	Knob, Thermostat
5	-----	1	Thermostat Kit (Includes item 4)(Early Model. Order Late Model Kit)
	03024.0005	1	Thermostat Kit (Includes item 4)(Late Model)
	01310.0000	2	Screw, Pan Head #6 - 32 x .25" (Mounting)
	01520.0000	2	Lockwasher, Split #6
	20762.0000	2	Screw, Binding Head #8-32 x .25" (Terminal)
6	07073.0000	1	Grommet, Thermostat
7	01106.0000	1	Terminal Block, 2 Pole (120V)
	01106.0001	1	Terminal Block, 2 Pole (230V)
	07038.0000	1	Terminal Block, 3 Pole (208-240V) (Shown)
	01317.0000	2	Screw, Truss Head #8 - 32 x .50"
8	06335.1000	1	Contactor Assy, 120V Coil
	06335.1002	1	Contactor Assy, 240V Coil
	27906.1000	1	Contactor Assy, 230V Coil
	01311.0000	2	Screw, Truss Head #8 - 32 x .25"
9	01309.0000	1	Ground Screw W/Terminal Washer #10 - 32 x .50"
10	02537.0000	1	Bracket, Liquid Level Board Mounting
	01311.0000	2	Screw, Truss Head #8 - 32 x .25"
	00912.0000	2	Clip, "J" - Type #8 - 32
11	07074.1000	1	Control Board, Liquid Level 120V
	07074.1009	1	Control Board, Liquid Level 208-240V
	01311.0000	2	Screw, Truss Head #8 - 32 x .25"
	00970.0000	2	Nut, Keps #8 - 32
12	07105.0000	1	Shield, Protective
13	04243.0000	2	Terminal Housing
14	12984.0002	1	Lamp Assy, Green 120V (Includes item 13)(Optional)
	12984.0004	1	Lamp Assy, Green 240V (Includes item 13)(Optional)

(Continued)

(Continued)



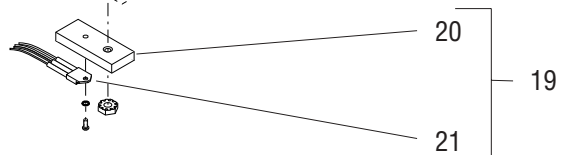
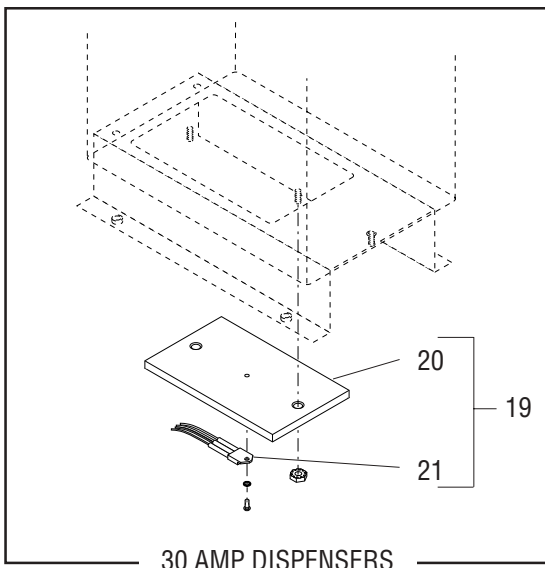
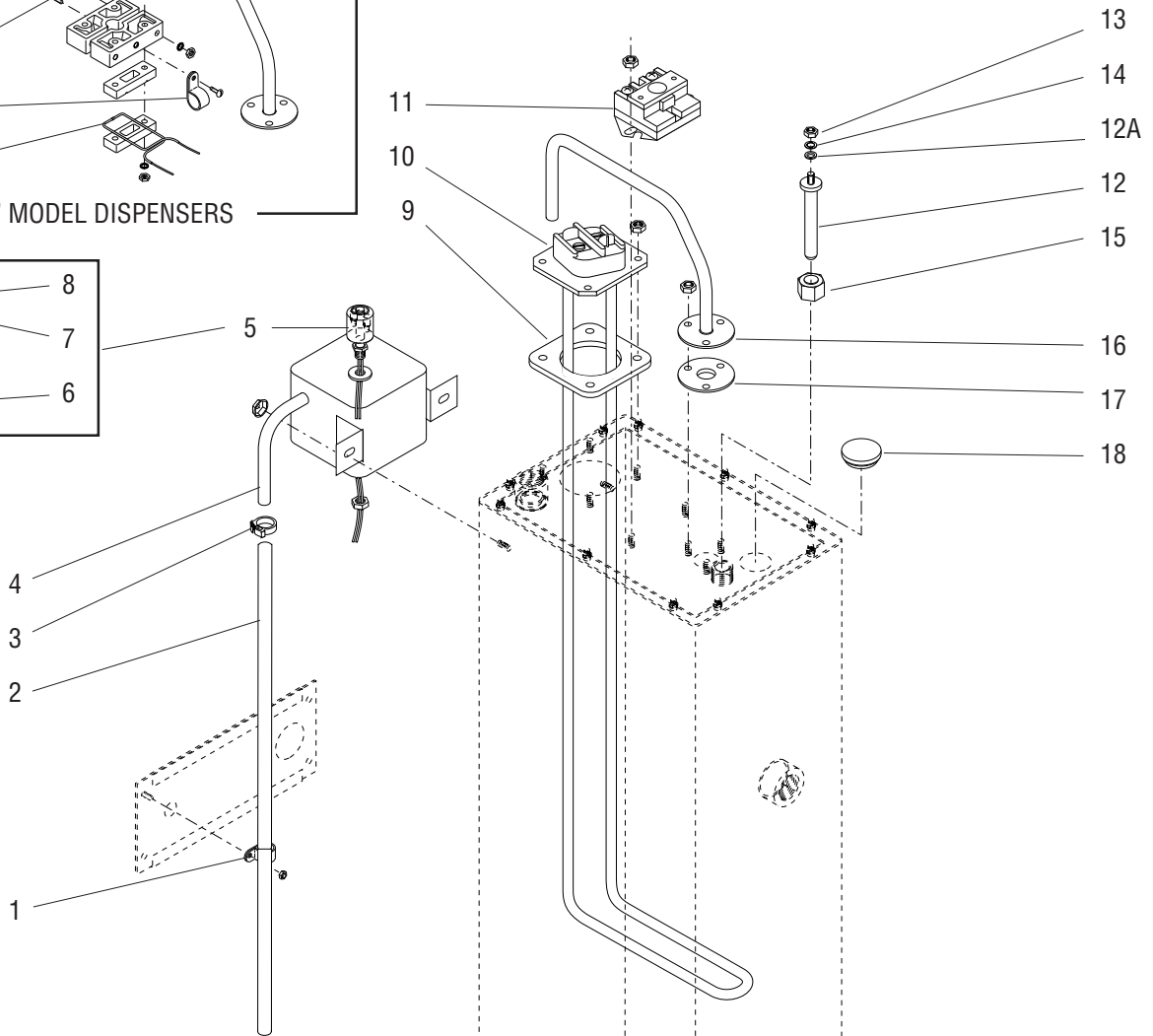
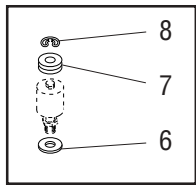
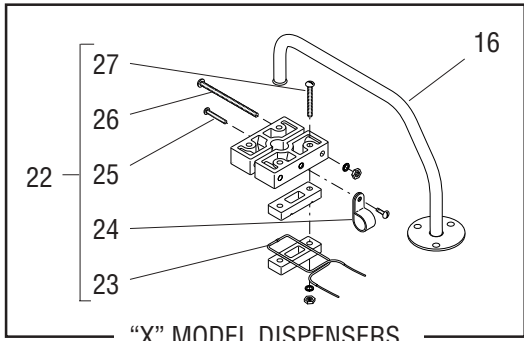
EARLY MODELS



MECHANICAL THERMOSTAT & DECORATIVE FRONT PANEL

ITEM	PART NO.	QTY.	DESCRIPTION
15	12522.0001	1	Wiring Harness, 120V
	12529.0001	1	Wiring Harness, 208-240V
	12529.0002	1	Wiring Harness, 230V
16	27919.0000	1	Wiring Harness, 120V Ready Light
	27919.0001	1	Wiring Harness, 240V Ready Light
17	21012.0013	1	Lead Assy, 12AWG Red 6.50" Terminal Block to Contactor
18	21012.0015	1	Lead Assy, 12AWG Blk 7.5" Terminal Block to Contactor
19	01069.0003	1	Lead Assy, 16AWG Blk 4.0" Thermostat to Main Harness
20	01069.0004	1	Lead Assy, 16AWG Blu/Blk 4.0" Thermostat to Main Harness
21	21004.0286	1	Lead Assy, 16AWG Grn 4.5" Harness Grounding (230V)
22	00985.0000	1	Decal, Individual Circuit Info (230V)
23	27705.0000	1	Terminal Lug (230V)
	01375.0000	1	Screw, Pan-hd, Brass #10-32 x .50"
	01512.0000	1	Lockwasher, Ext-th #10
	01317.0000	1	Screw, Truss-hd #8-32 x .50"
24	27945.0009	1	Lead, Thermal Cut-off BLK 36" (230V)
25	27945.0010	1	Lead, Thermal Cut-off RED 36" (230V)

Not illustrated

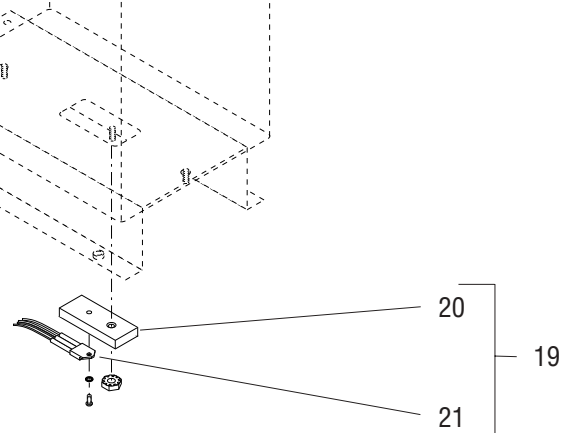
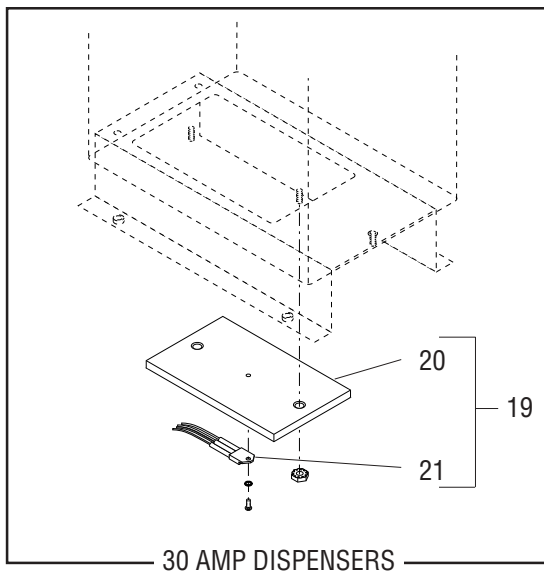
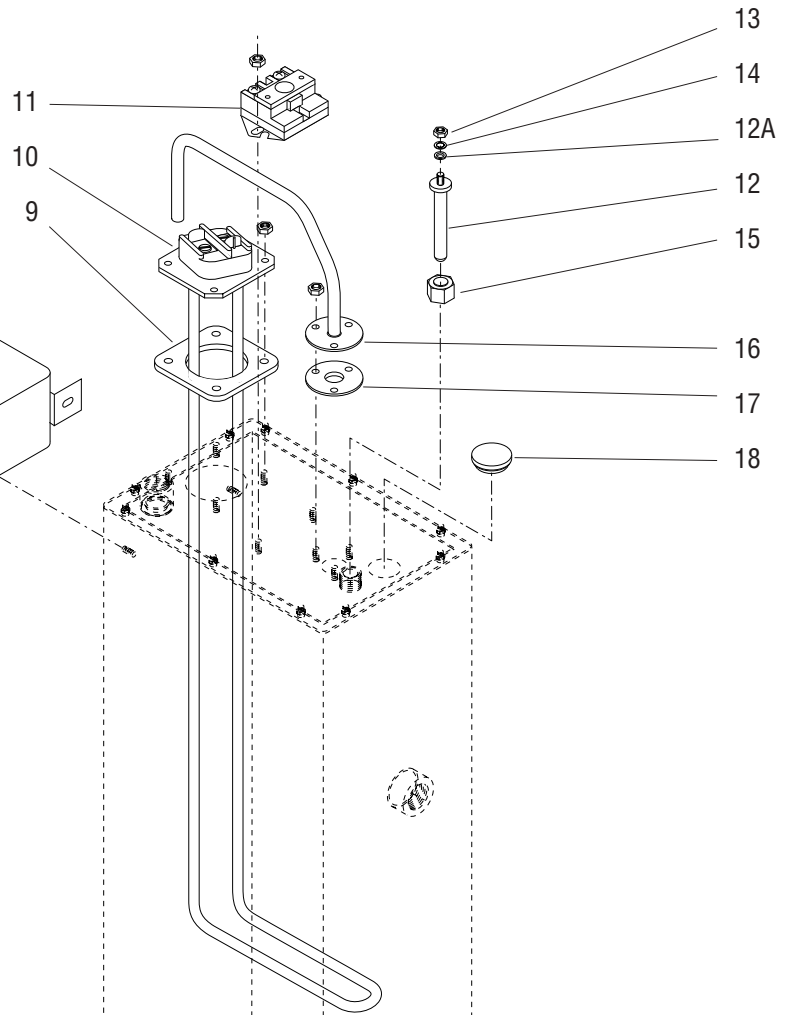
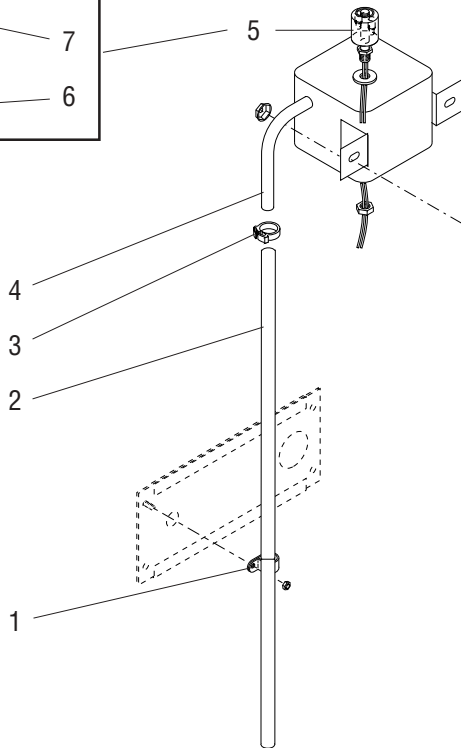
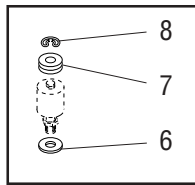
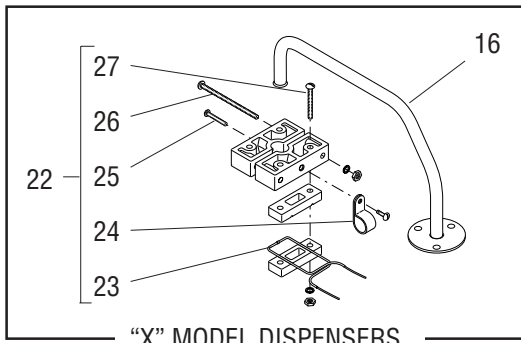


TANK HEATER & SAFETY DEVICES

ITEM	PART NO.	QTY.	DESCRIPTION
1	00603.0000	1	Clamp
	00970.0000	1	Nut, Keps #8 - 32
2	-----	1	Tube, Silicone .312" I.D. x 21.50" (Order item 29)
3	12422.0000	1	Clamp, Hose .47"/.54" I.D.
4	22728.0000	1	Overflow Cup Assy
	00971.0000	2	Nut, Keps #10 - 32
5	03803.0000	1	Switch Assy, Liquid Level 120V (Includes items 6, 7 & 8)
	03803.0002	1	Switch Assy, Liquid Level 230V (Includes items 6, 7 & 8)
	00946.0000	1	Nut, Hex .125" FPT
6	03633.0000	2	Gasket, Float Switch (Only 1 used in this application)
7	-----	3	Washer, Adjusting (DO NOT USE IN THIS APPLICATION)
8	03807.0000	1	Clip, Spring
9	12398.0000	1	Gasket, Tank Heater
10	12524.1000	1	Tank Heater Kit 1800W 120V
	12322.1000	1	Tank Heater Kit 4000W 240V & 230V
	12305.1000	1	Tank Heater Kit 4000W 208V
	12453.1000	1	Tank Heater Kit 6000W 240V
	12452.1000	1	Tank Heater Kit 6000W 208V
	00908.0000	4	Nut, Hex #8 - 32
			} Includes item 9
11	23717.0001	1	Thermostat, Limit
	00971.0000	2	Nut, Keps #10 - 32
12	02645.1000	1	Probe Kit, Water Level (Includes items 12A, 13, 14 & 15)
12A	01501.0000	1	Washer .164" I.D. x .375" O.D.
13	00908.0000	1	Nut, Hex #8 - 32
14	20203.0100	1	Lockwasher, Internal Tooth #8
15	00929.0001	1	Nut/Sleeve, Compression .38"
16	12518.0000	1	Tube, Overflow
	12585.0000	1	Tube, Overflow ("X" Model Dispensers)
	00908.0000	3	Nut, Hex #8 - 32
17	05515.0000	1	Gasket, Overflow Tube
18	12570.0002	1	Plug, Hole
19	12527.0001	1	Triac/Heat Sink Assy 120V (20 AMP Dispensers)
	12527.0002	1	Triac/Heat Sink Assy 120V (30 AMP Dispensers)
	12527.0009	1	Triac/Heat Sink Assy 230V (40 AMP Dispensers)
	00971.0000	1	Nut, Keps #10 - 32 (2 used on 30 AMP Dispensers)
			} Includes items 20, 21 & 28
20	12561.0000	1	Heat Sink, Copper (20 AMP Dispensers)
	12397.0000	1	Heat Sink, Copper (30 AMP Dispensers)

(Continued)

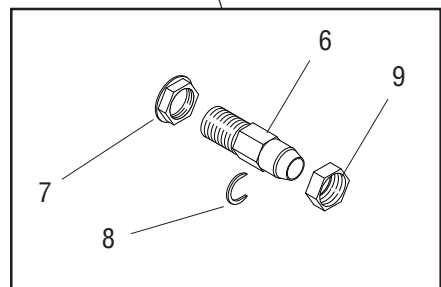
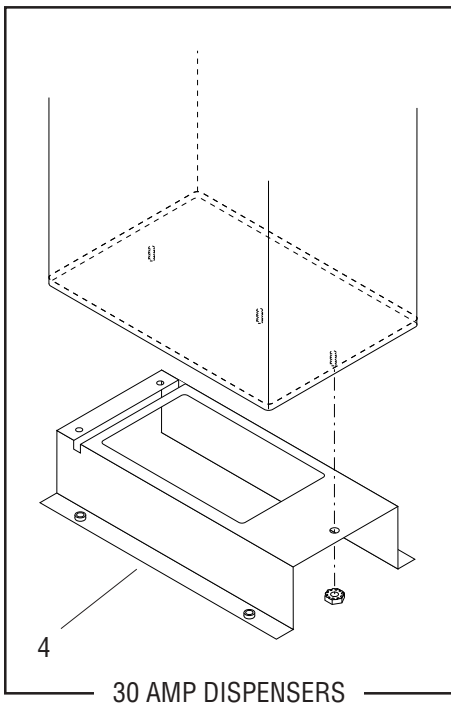
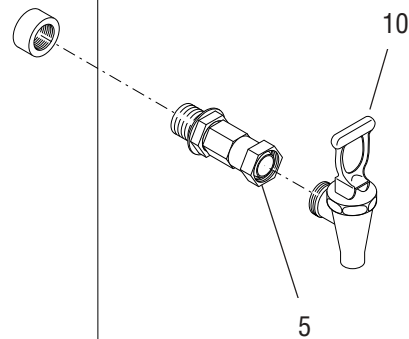
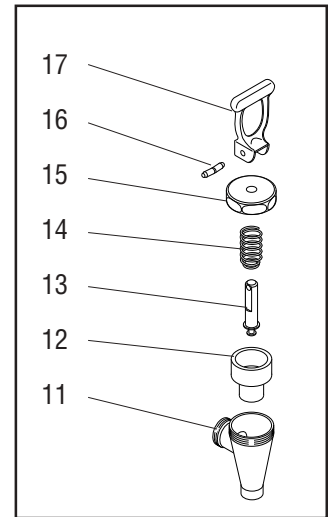
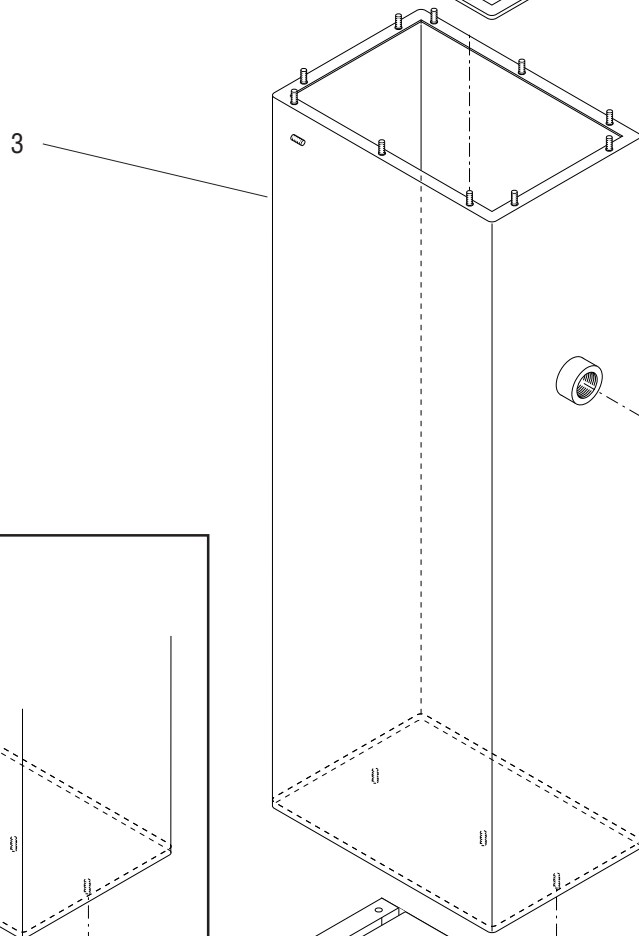
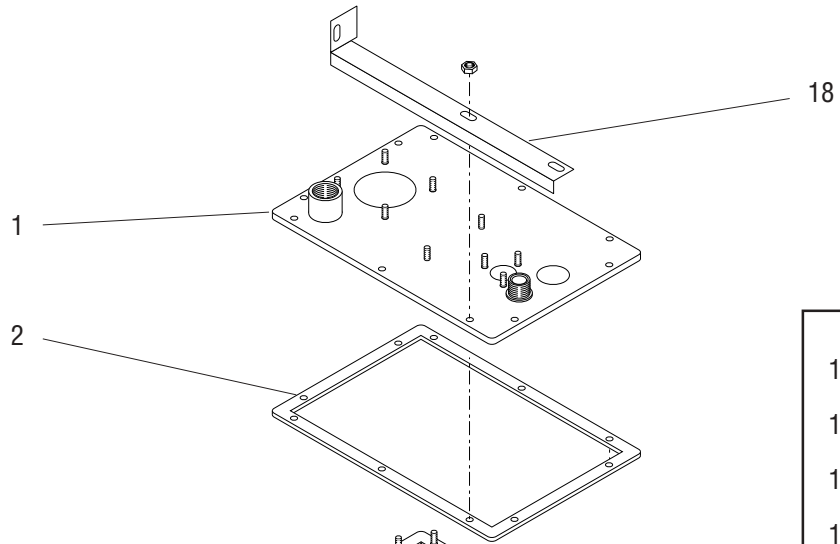
(Continued)



TANK HEATER & SAFETY DEVICES

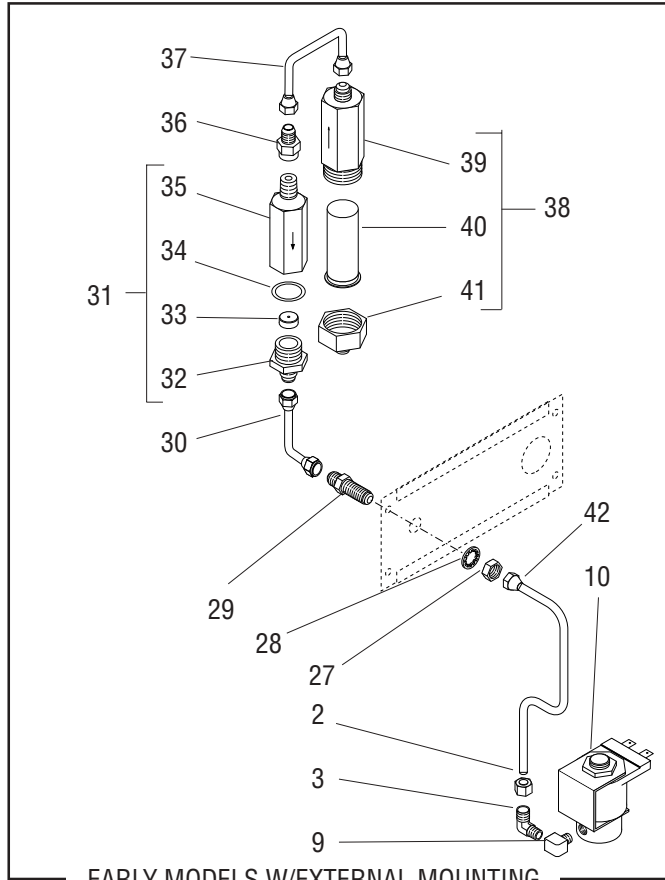
ITEM	PART NO.	QTY.	DESCRIPTION
21	12565.0002	1	Triac Assy 120V
	12565.0014	1	Triac Assy 230V
	02328.0003	1	Screw, Pan Head #6 - 32 x .312"
	01520.0000	1	Lockwasher, Split #6
22	12586.0000	1	Thermistor Assy (Includes items 23 thru 26) ("X" Model Dispensers only)
23	12551.0000	1	Thermistor
24	04831.0000	1	Clamp, Thermistor
	01382.0000	1	Screw, Truss Head #6 - 32 x .38"
25	01388.0000	1	Screw, Truss Head #6 - 32 X .75"
26	02370.0002	2	Screw, Pan Head #6 - 32 x 2.0"
	01520.0000	2	Lockwasher, Split #6
	00906.0000	2	Nut #6 - 32
27	02370.0001	2	Screw, Pan Head #6 - 32 x 1.25"
	01520.0000	2	Lockwasher, Split #6
	00906.0000	2	Nut #6 - 32
28	M2522.1000	-	Heat Sink Compound 5 oz.
29	03236.1001	-	Tube, Silicone .312" I.D. x 36.0"

} Not illustrated

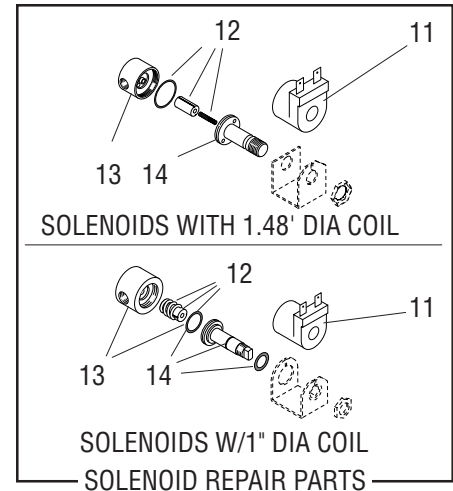


TANK & FAUCET

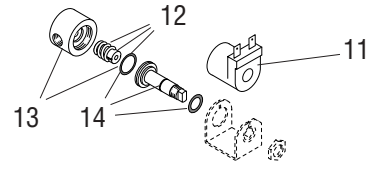
ITEM	PART NO.	QTY.	DESCRIPTION
1	-----	1	Lid, Tank - Flat (First type. Not available order Second type Tank Lid)
	25922.0001	1	Lid, Tank - Flanged (Second type) (Shown)
	00906.0000	10	Nut #6 - 32
2	12377.0000	1	Gasket, Tank lid
3	-----	1	Tank - Flat bottom (First type. Not available order Second type Tank & item 4 for first replacement)
	25920.0001	1	Tank - Flanged bottom (Second type) (Shown)
4	-----	1	Bracket, Tank Mounting (20 AMP Dispensers) (First type. Not available order Second type Bracket)
	12514.0000	1	Bracket, Tank Mounting (20 AMP Dispensers W/Mechanical Thermostat) (Second type shown)
	12514.0003	1	Bracket, Tank Mounting (20 AMP Dispensers W/Electronic Control Assy)
	-----	1	Bracket, Tank Mounting (30 AMP Dispensers) (First type. Not available order Second type Bracket)
	12514.0002	1	Bracket, Tank Mounting (30 AMP Dispensers) (Second type shown)
	00971.0000	2	Nut, Keps #10 - 32 (Only 1 used on 30 AMP Dispensers)
5	07061.0000	1	Faucet Shank Assy (Includes items 6 thru 9) (Also see item 18)
6	-----	1	Faucet Shank Body (Not available order item 5)
7	07119.0000	1	Faucet Shank Nut
8	01221.0000	1	Faucet Shank C-Ring
9	01268.0000	1	Faucet Union Nut
10	07094.0002	1	Faucet Assy (Includes items 11 thru 17)
11	-----	1	Faucet Body (Not available order item 10)
12	00600.0000	1	Faucet Seat Cup
13	01284.0000	1	Faucet Stem W/Pin (Includes item16)
14	00601.0000	1	Faucet Spring
15	07127.0000	1	Faucet Bonnet Nut
16	01219.0000	1	Faucet Handle Pin
17	07244.0000	1	Faucet Handle
18	28715.0000	1	Bracket, Tank Supporting (Top)
	00912.0000	1	Fastener, "J"-type #8-32
19	28710.0000	-	Faucet Repair Kit (Includes items 12,13,14 & 17)
20	M2517.0000	1	Sealant, Pipe-PST 6 ml (Not illustrated)



EARLY MODELS W/EXTERNAL MOUNTING

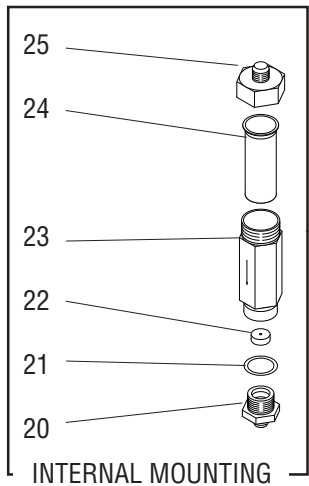


SOLENOIDS WITH 1.48" DIA COIL

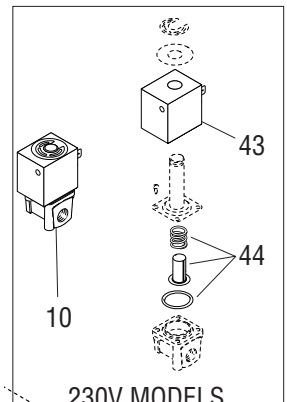
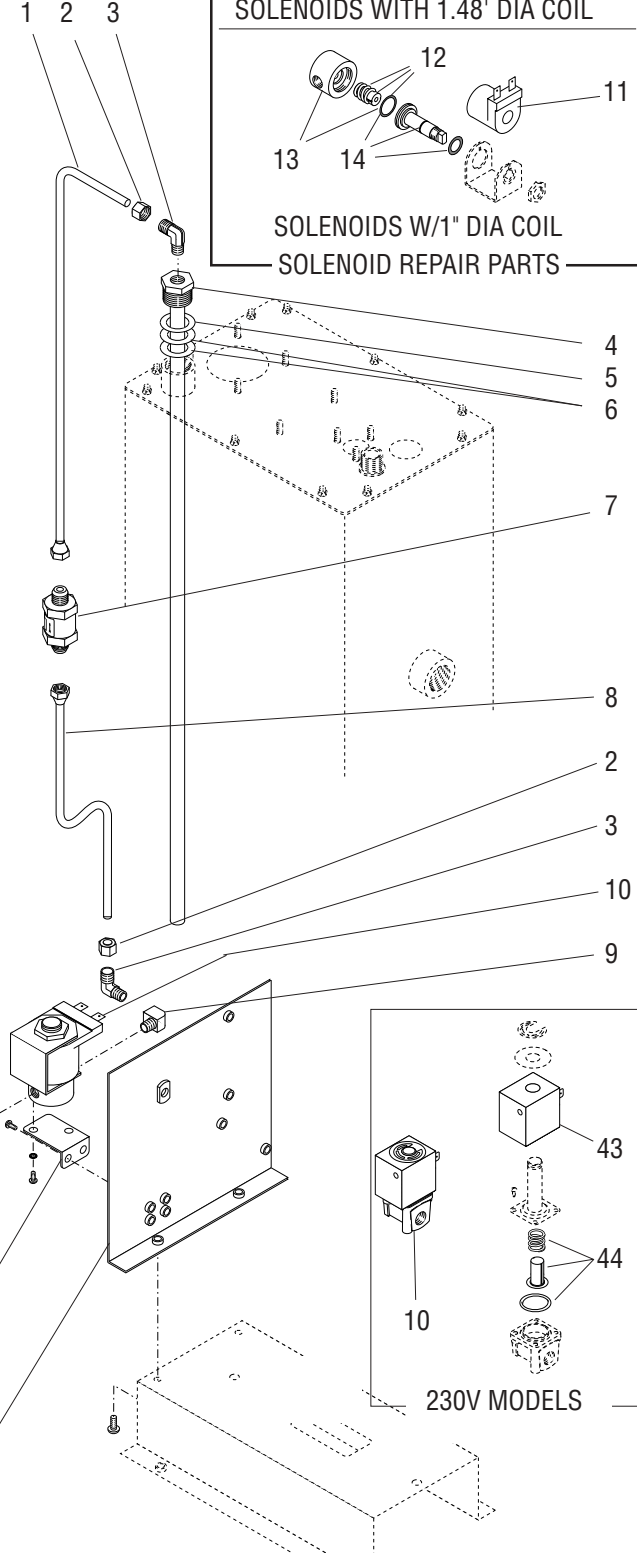
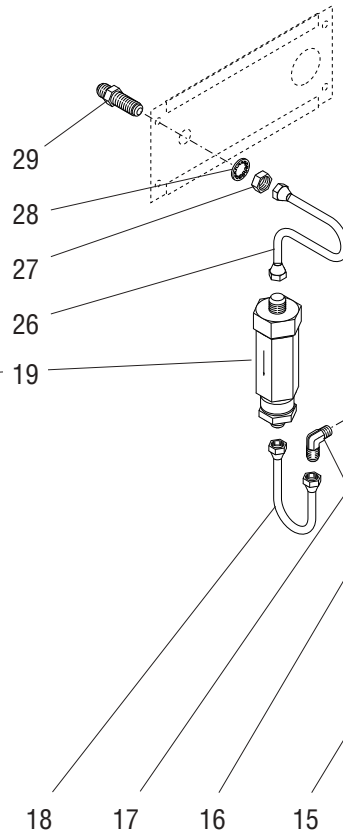


SOLENOIDS W/1" DIA COIL

SOLENOID REPAIR PARTS



INTERNAL MOUNTING

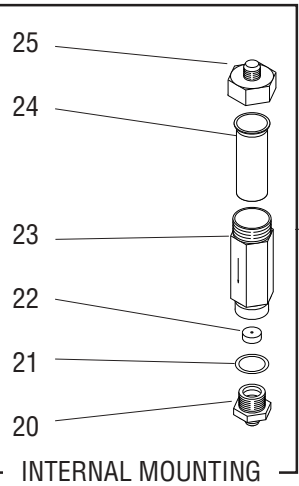
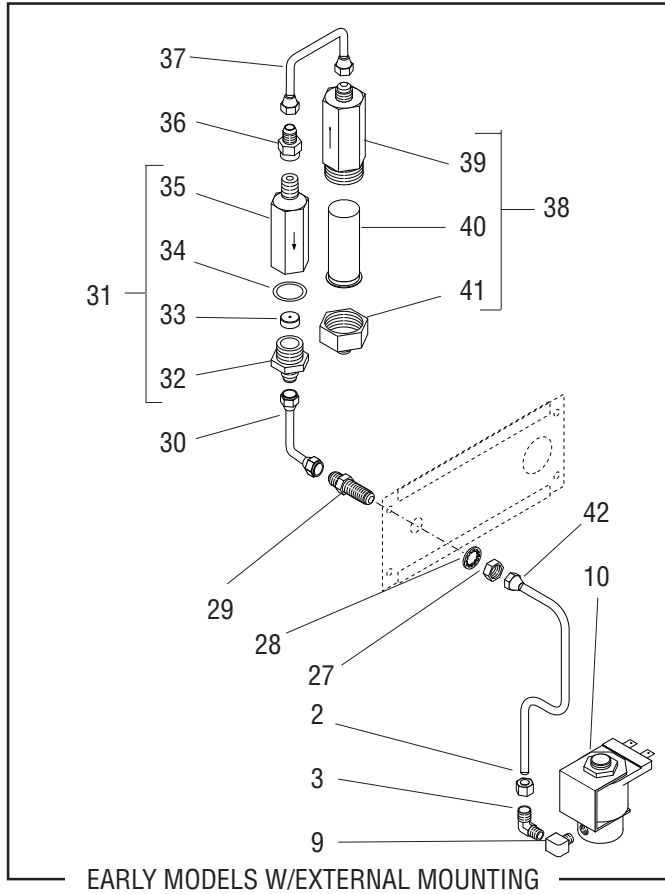


230V MODELS

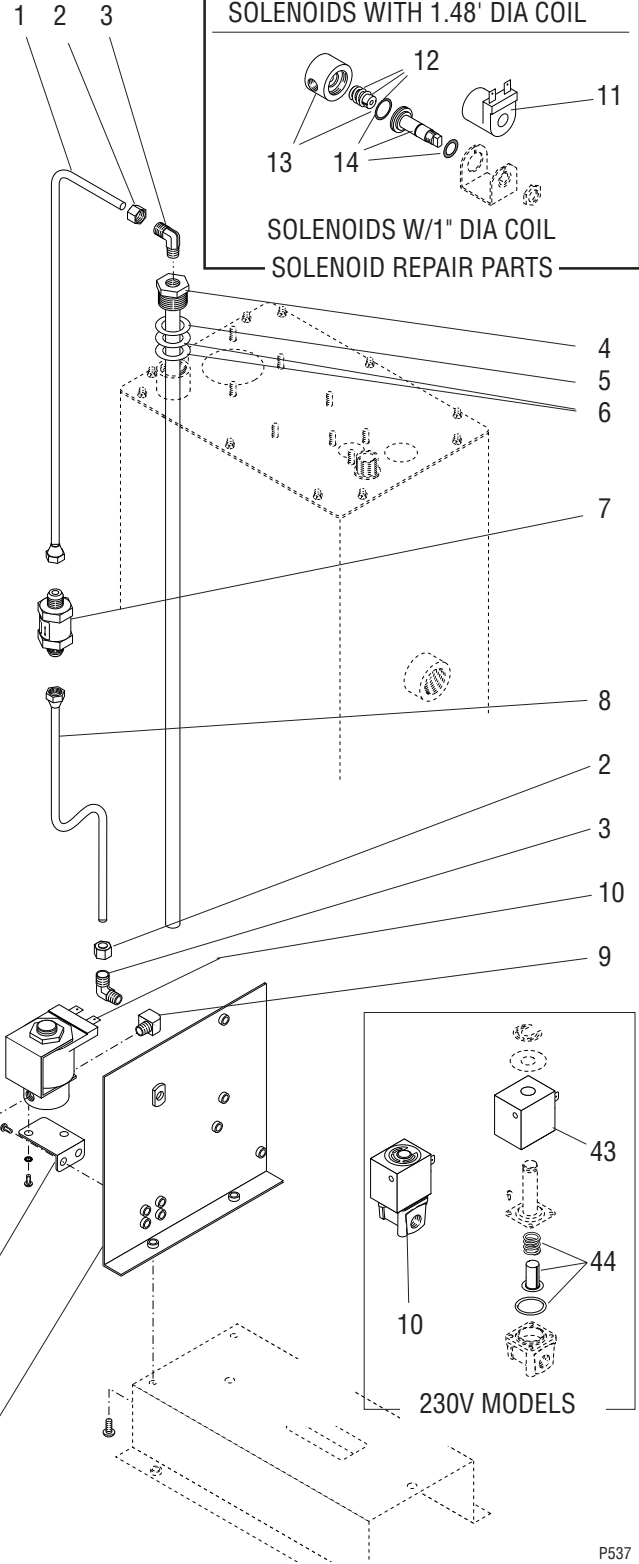
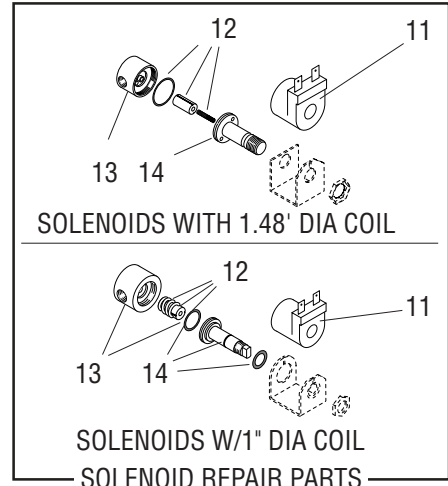
STRAINER/FLOW CONTROL - SOLENOID & WATER LINES

ITEM	PART NO.	QTY.	DESCRIPTION
1	12521.0000	1	Tube Assy, Check Valve to Tank (Includes one item 2)
2	00443.0001	2	Nut/Sleeve, Compression .25" (3 used w/external mounted Strainer/Flow Control)
3	00465.0001	2	Elbow Assy, Compression Nut .25" x .12" MPT (Includes item 2) (3 used w/external mounted Strainer/Flow Control)
4	12271.0002	1	Tube, Tank Inlet
5	01540.0000	1	Washer .75" I.D. x 1.0" O.D.
6	01201.0000	2	Gasket, Tank Inlet
7	01171.0001	1	Check Valve (Refer to item 45 for Repair Kit)
8	12519.0000	1	Tube Assy, Solenoid to Check Valve (Includes one item 2)
9	00432.0001	1	Elbow, .125" NPT Male-Female (2 used w/external mounted Strainer/Flow Control)
10	-----	1	Solenoid Valve Assy, 120V - 1.48" Dia Coil (Not Available. Order 01085.0002)
	01085.0002	1	Solenoid Valve Assy, 120V - 1" Dia Coil
	01975.0000	1	Solenoid Valve Assy, 208-240V - 1.48" Dia Coil
	28005.0000	1	Solenoid Valve Assy, 230V (Includes items 43 & 44)
	01327.0000	2	Screw, Pan Head #10 - 32 x .375"
	01502.0000	2	Lockwasher, Split # 10
11	01101.0000	1	Solenoid Valve Coil, 120V - 1.48" Dia Coil
	28480.0000	1	Solenoid Valve Coil, 120V - 1" Dia Coil
	01100.0000	1	Solenoid Valve Coil, 208-240V - 1.48" Dia Coil
12	01111.0000	1	Solenoid Valve Repair Kit - 1.48" Dia Coil (Includes Plunger, Seal and Spring)
	01111.0002	1	Solenoid Valve Repair Kit - 1" Dia Coil (Includes Plunger, Spring and O-ring)
13	01079.0000	1	Solenoid Valve Base - 1.48" Dia Coil
	28479.0000	1	Solenoid Valve Base Kit - 1" Dia Coil (Includes O-ring)
14	01116.0000	1	Guide - 1.48" Dia Coil
	28481.0000	1	Guide Kit - 1" Dia Coil (Includes Washer and O-ring)
15	12512.0000	1	Bracket, Component Mounting
	01315.0000	2	Screw, Truss Head #8 - 32 x .38"
16	04623.0001	1	Bracket, Solenoid Valve Mounting
	01311.0000	2	Screw, Truss Head #8 - 32 x .25"
17	00400.0001	1	Elbow, Male .250" Flare x .125" MPT
18	24288.0000	1	Tube Assy, Strainer/Flow Control to Solenoid
19	22300.0500	1	Strainer/Flow Control Assy (.500 GPM) (120V Models)
	22300.0750	1	Strainer/Flow Control Assy (.750 GPM) (208-240V Models)
			} Includes items 20 thru 25
20	01154.0000	1	Flow Control Outlet
21	01155.0000	1	Flow Control Gasket
22	20526.1500	1	Flow Washer/Gasket Kit, .500 GPM (Includes item 21) (120V Models)
	20526.1750	1	Flow Washer/Gasket Kit, .750 GPM (Includes item 21) (208-240V Models)
23	-----	1	Body (Not Available order item 19)

(Continued)

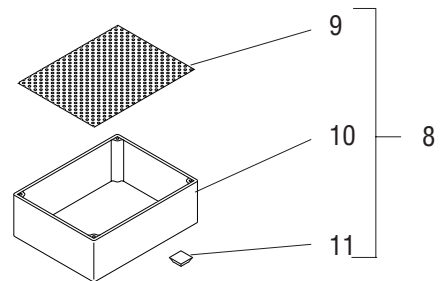
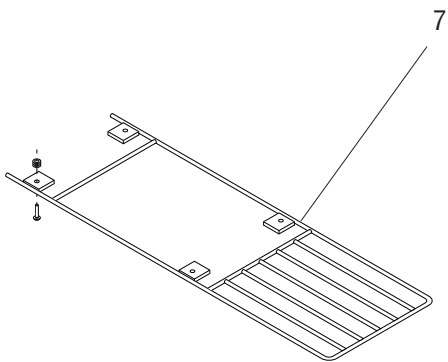
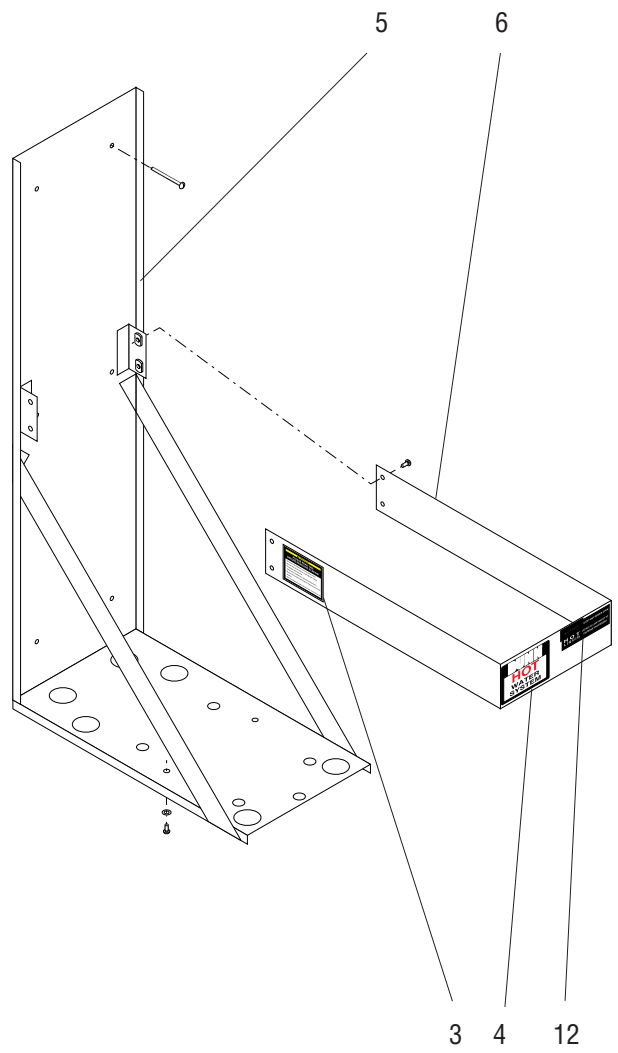
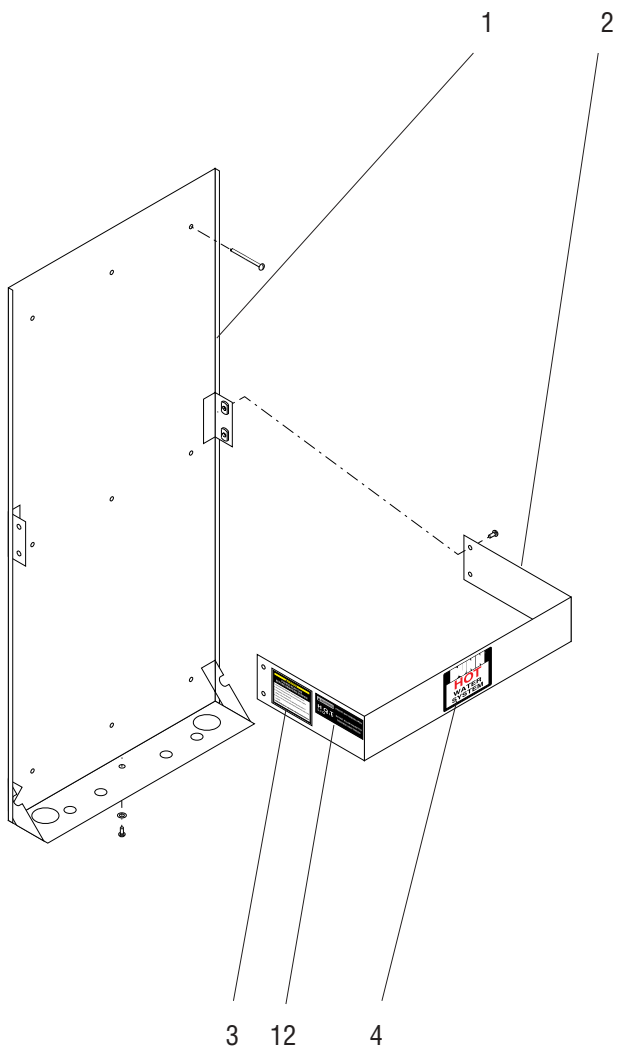


(Continued)



STRAINER/FLOW CONTROL - SOLENOID & LINES

ITEM	PART NO.	QTY.	DESCRIPTION
24	23721.0000	1	Screen
25	22249.0000	1	End Cap
26	24289.0000	1	Tube Assy, Bulkhead to Strainer/Flow Control (Includes Nuts)
27	00463.0000	1	Nut, Hex .438" - 20
28	01532.0000	1	Lockwasher, Internal Tooth .438" I.D.
29	00459.0001	1	Bulkhead Fitting, .250" Flare
30	00310.0000	1	Tube Assy, Flow Control to Bulkhead
31	20528.1500	1	Flow Control Assy (.500 GPM) (120V Models)
	20528.1750	1	Flow Control Assy (.750 GPM) (208-240V Models)
			} Includes items 32 thru 35
32	01154.0000	1	Flow Control Outlet
33	20526.1500	1	Flow Washer/Gasket Kit, .500 GPM (Includes item 34) (120V Models)
	20526.1750	1	Flow Washer/Gasket Kit, .750 GPM (Includes item 34) (208-240V Models)
34	01155.0000	1	Flow Control Gasket
35	-----	1	Body (Not Available order item 31)
36	00445.0001	1	Connector, .250" Flare x .125" FPT
37	04572.0000	1	Tube Assy, Flow Control to Strainer
38	23820.1000	1	Water Strainer Assy (Includes items 39 thru 41)
39	-----	1	Body (Not Available order item 38)
40	23721.0000	1	Screen
41	22249.0000	1	End Cap, Water Strainer
42	12520.0000	1	Tube Assy, Bulkhead to Solenoid (Includes one item 2)
43	28020.0000	1	Coil 230V
44	28021.0000	1	Solenoid Valve Repair Kit 230V
45	01170.0000	1	Check Valve Repair Kit (Contains a gasket, spring & seat assembly) (Not illustrated)



WALL BRACKETS, DRIP TRAY & WIRE SHELF

ITEM	PART NO.	QTY.	DESCRIPTION
1	-----	1	Wall Bracket, Side Mounting (See Sales Manual for Wall Bracket Kit)
	02334.0000	9	Screw, Pan Head Phillips #10 x 1.50"
2	24737.0000	1	Support Strap W/Decals (Includes items 3, 4 & 12)
	01326.0000	4	Screw, Truss Head #10 - 32 x .25"
3	12556.0000	2	Decal, Caution Dispenser Removal
4	00657.0002	1	Decal, Bunn Hot Water
5	-----	1	Wall Bracket, Front Mounting (See Sales Manual for Wall Bracket Kit)
	02334.0000	6	Screw, Pan Head Phillips #10 x 1.50"
6	24736.0000	1	Support Strap W/Decals (Includes items 3, 4 & 12)
	01326.0000	4	Screw, Truss Head #10 - 32 x .25"
7	12599.0000	1	Wire Shelf Kit (Includes mounting hardware)
	01503.0000	12	Washer, Flat .25" I.D. x .56" O.D. (Use as required)
	01370.0000	4	Screw, Pan Head #8 - 32 x .75"
8	02497.0000	1	Drip Tray Assy (Includes items 9 thru 11)
9	02546.0000	1	Cover, Drip Tray
10	02545.0000	1	Drip Tray
11	02547.0000	4	Foot, Rubber
12	12538.0000	1	Decal, Caution - Hot Liquid

NUMERICAL INDEX

PART NO.	PAGE NO.	PART NO.	PAGE NO.	PART NO.	PAGE NO.	PART NO.	PAGE NO.
00310.0000	21	01375.0000	7,11	12271.0002	19	20526.1750	19,21
00400.0001	19	01382.0000	15	12305.1000	13	20528.1500	21
00432.0001	19	01388.0000	15	12322.1000	13	20528.1750	21
00443.0001	19	01390.0000	5	12377.0000	17	20749.0000	5
00445.0001	21	01501.0000	13	12397.0000	13	20762.0000	9
00459.0001	21	01502.0000	19	12398.0000	13	21004.0286	11
00463.0000	21	01503.0000	23	12422.0000	13	21012.0013	11
00465.0001	19	01511.0000	7	12452.1000	13	21012.0015	11
00600.0000	17	01512.0000	7,11	12453.1000	13	21014.0034	7
00601.0000	17	01520.0000	9,15	12507.0000	5	21031.0000	7
00603.0000	13	01531.0000	7	12509.0000	5	21031.0001	9
00619.0002	7	01532.0000	21	12512.0000	19	21033.0000	7
00656.0000	5	01540.0000	19	12514.0000	17	21033.0001	9
00657.0002	23	01570.0000	7	12514.0002	17	21112.1000	7
00720.0000	9	01975.0000	19	12514.0003	17	22249.0000	21
00731.0000	5	02308.0000	7	12517.0001	7	22300.0500	19
00831.0000	5	02328.0003	15	12518.0000	13	22300.0750	19
00906.0000	15,17	02334.0000	23	12519.0000	19	22728.0000	13
00908.0000	13	02370.0001	15	12520.0000	21	22920.0000	7
00912.0000	5,9,17	02370.0002	15	12521.0000	19	22921.0000	7
00917.0000	5	02497.0000	23	12522.0001	11	23531.0000	7
00824.0000	7	02537.0000	9	12524.1000	13	23533.0001	5
00929.0001	13	02545.0000	23	12527.0001	13	23534.0000	5
00946.0000	13	02546.0000	23	12527.0002	13	23535.0000	5
00970.0000	9,13	02547.0000	23	12527.0009	13	23535.0001	5
00971.0000	13,17	02645.1000	13	12529.0001	11	23717.0001	13
00985.0000	11	03024.0005	9	12529.0002	11	23721.0000	21
01069.0003	11	03236.1001	15	12537.0000	5	23820.1000	21
01069.0004	11	03633.0000	13	12538.0000	23	24288.0000	19
01074.0000	9	03803.0000	13	12551.0000	15	24289.0000	21
01079.0000	19	03803.0002	13	12556.0000	23	24736.0000	23
01085.0002	19	03807.0000	13	12559.0000	7	24737.0000	23
01100.0000	19	04243.0000	9	12560.1001	7	25292.0000	7
01101.0000	19	04572.0000	21	12560.1002	7	25920.0001	17
01106.0000	7,9	04623.0001	19	12560.1003	7	25922.0001	17
01106.0003	7	04786.0002	7	12560.1004	7	27353.0000	5
01106.0001	9	04831.0000	15	12560.1007	7	27705.0000	7,11
01111.0000	19	05515.0000	13	12560.1016	7	27906.1000	9
01111.0002	19	06335.1000	9	12560.1020	7	27919.0000	11
01116.0000	19	06335.1002	9	12561.0000	13	27919.0001	11
01154.0000	19,21	07038.0000	7,9	12565.0002	15	27945.0000	7
01155.0000	19,21	07061.0000	17	12565.0014	15	27945.0009	11
01170.0000	21	07073.0000	9	12570.0000	7	27945.0010	11
01171.0001	19	07074.1000	9	12570.0002	13	28005.0000	19
01201.0000	19	07074.1009	9	12575.0001	7	28020.0000	21
01219.0000	17	07094.0002	17	12576.0001	7	28021.0000	21
01221.0000	17	07105.0000	9	12576.0002	7	28195.0000	9
01268.0000	17	07119.0000	17	12585.0000	13	28479.0000	19
01284.0000	17	07127.0000	17	12586.0000	15	28480.0000	19
01303.0000	5	07244.0000	17	12592.1001	7	28481.0000	19
01309.0000	7,9	10044.0000	5	12592.1002	7	28710.0000	17
01310.0000	9	10243.0000	5	12593.0000	5	28715.0000	17
01311.0000	5,7,9,19	10262.0000	5	12599.0000	23	29446.0000	7
01315.0000	5,19	10331.0000	5	12984.0002	9	32833.0000	7
01317.0000	5,7,9,11	10332.0000	5	12984.0004	9	34130.0000	7
01326.0000	23	10410.0000	5	20203.0100	13	M2517.0000	17
01327.0000	19	10411.0000	5	20526.1500	19,21	M2522.1000	15
01370.0000	23						