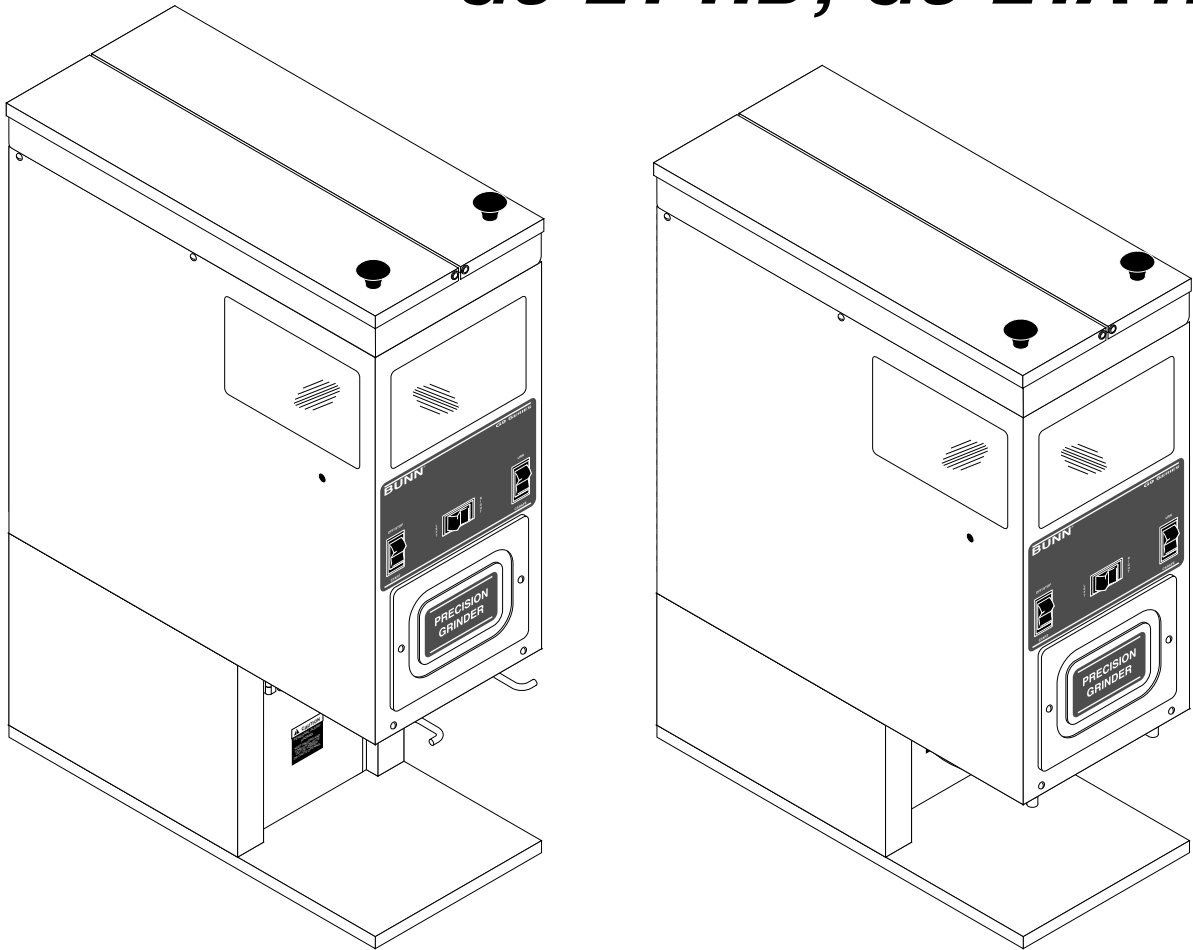


BUNN®

G9-2 HD-S

G9-2 HD, G9-2A HD

G9-2T HD, G9-2TA HD



ILLUSTRATED PARTS CATALOG

Designs, materials, weights, specifications, and dimensions for equipment or replacement parts are subject to change without notice.

BUNN-O-MATIC CORPORATION

POST OFFICE BOX 3227

SPRINGFIELD, ILLINOIS 62708-3227

PHONE: (217) 529-6601 FAX: (217) 529-6644

BUNN-O-MATIC COMMERCIAL PRODUCT WARRANTY

Bunn-O-Matic Corp. ("BUNN") warrants equipment manufactured by it as follows:

- 1) All equipment other than as specified below: 2 years parts and 1 year labor.
- 2) Electronic circuit and/or control boards: parts and labor for 3 years.
- 3) Compressors on refrigeration equipment: 5 years parts and 1 year labor.
- 4) Grinding burrs on coffee grinding equipment to grind coffee to meet original factory screen sieve analysis: parts and labor for 3 years or 30,000 pounds of coffee, whichever comes first.

These warranty periods run from the date of installation BUNN warrants that the equipment manufactured by it will be commercially free of defects in material and workmanship existing at the time of manufacture and appearing within the applicable warranty period. This warranty does not apply to any equipment, component or part that was not manufactured by BUNN or that, in BUNN's judgment, has been affected by misuse, neglect, alteration, improper installation or operation, improper maintenance or repair, damage or casualty. This warranty is conditioned on the Buyer 1) giving BUNN prompt notice of any claim to be made under this warranty by telephone at (217) 529-6601 or by writing to Post Office Box 3227, Springfield, Illinois 62708-3227; 2) if requested by BUNN, shipping the defective equipment prepaid to an authorized BUNN service location; and 3) receiving prior authorization from BUNN that the defective equipment is under warranty.

THE FOREGOING WARRANTY IS EXCLUSIVE AND IS IN LIEU OF ANY OTHER WARRANTY, WRITTEN OR ORAL, EXPRESS OR IMPLIED, INCLUDING, BUT NOT LIMITED TO, ANY IMPLIED WARRANTY OF EITHER MERCHANTABILITY OR FITNESS FOR A PARTICULAR PURPOSE. The agents, dealers or employees of BUNN are not authorized to make modifications to this warranty or to make additional warranties that are binding on BUNN. Accordingly, statements by such individuals, whether oral or written, do not constitute warranties and should not be relied upon.

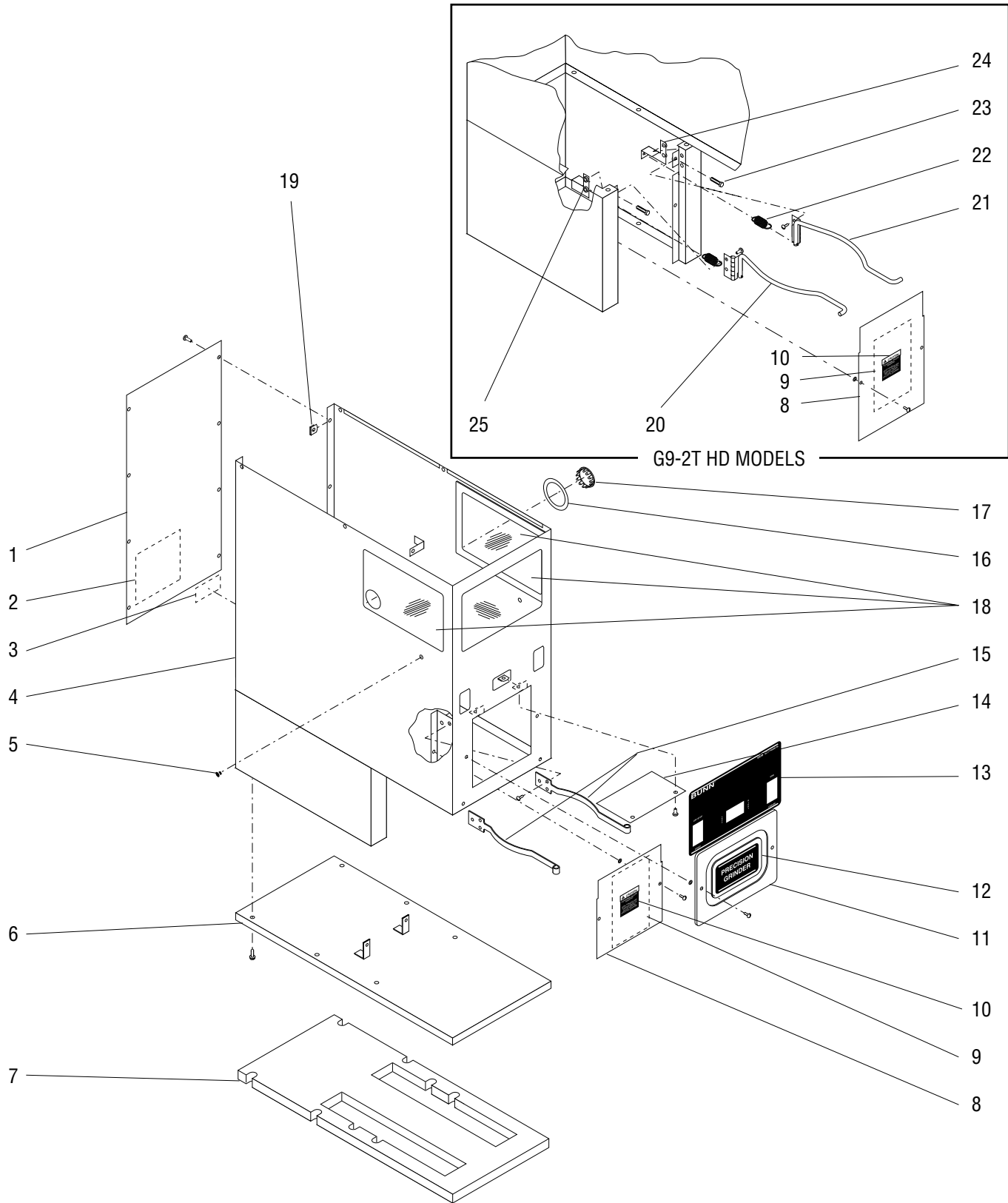
If BUNN determines in its sole discretion that the equipment does not conform to the warranty, BUNN, at its exclusive option while the equipment is under warranty, shall either 1) provide at no charge replacement parts and/or labor (during the applicable parts and labor warranty periods specified above) to repair the defective components, provided that this repair is done by a BUNN Authorized Service Representative; or 2) shall replace the equipment or refund the purchase price for the equipment.

THE BUYER'S REMEDY AGAINST BUNN FOR THE BREACH OF ANY OBLIGATION ARISING OUT OF THE SALE OF THIS EQUIPMENT, WHETHER DERIVED FROM WARRANTY OR OTHERWISE, SHALL BE LIMITED, AT BUNN'S SOLE OPTION AS SPECIFIED HEREIN, TO REPAIR, REPLACEMENT OR REFUND.

In no event shall BUNN be liable for any other damage or loss, including, but not limited to, lost profits, lost sales, loss of use of equipment, claims of Buyer's customers, cost of capital, cost of down time, cost of substitute equipment, facilities or services, or any other special, incidental or consequential damages.

TABLE OF CONTENTS

Electrical Controls	14
Hopper, Lid and Slide Plate Assy	8
Housing, Base and Panels	4
Motor, Burr Housing and Mounting Plate	12
Numerical Index.....	18

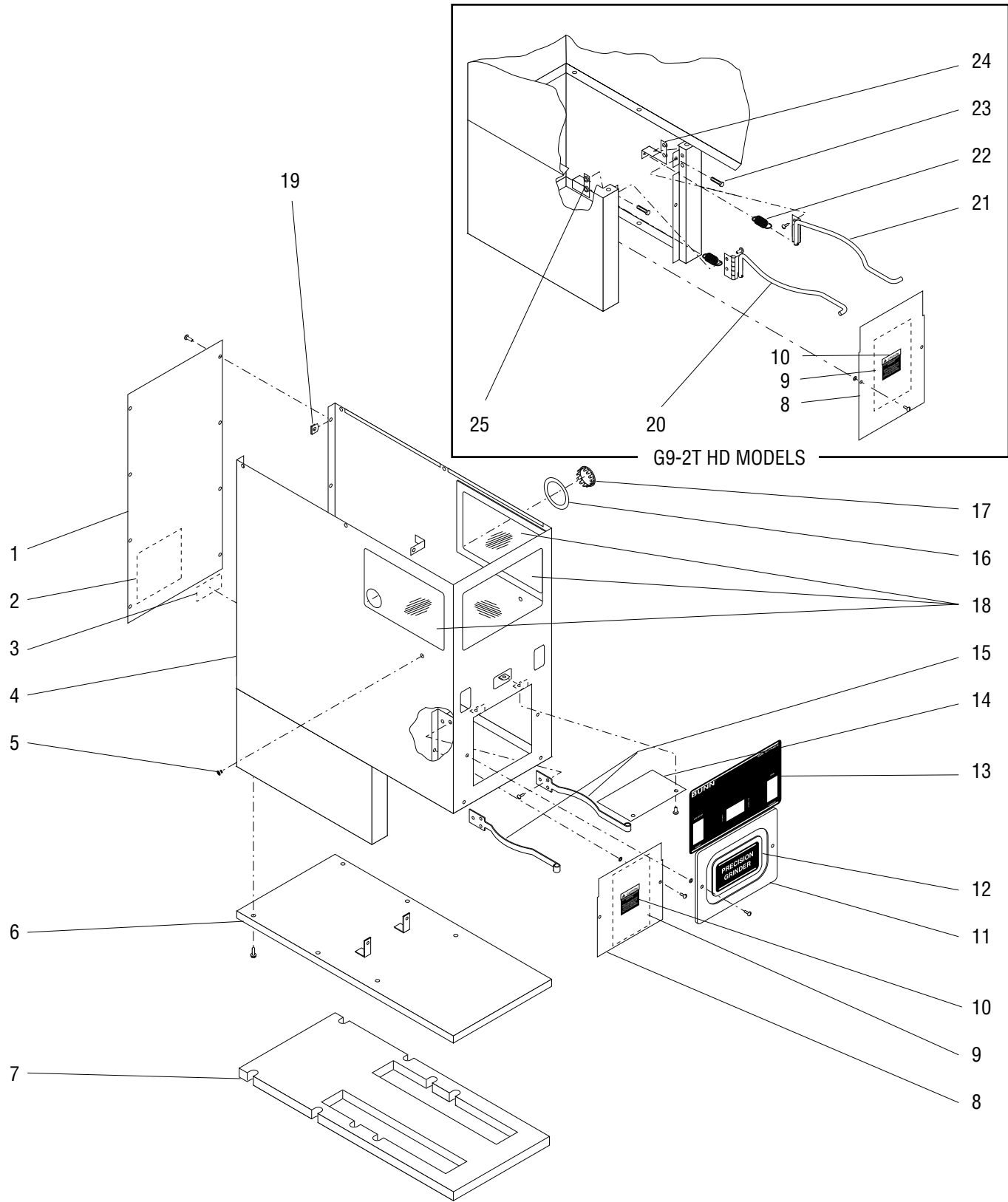


HOUSING, BASE AND PANELS

ITEM	PART NO.	QTY.	DESCRIPTION	
1	05844.1000	1	Rear Panel W/Decal (Includes item 2)	
	01315.0000	8	Screw, Truss Head 8 - 32 x .38"	
	01311.0003	8	Screw, Truss Head Blk 8 - 32 x .38"	
2	20545.0000	1	Decal, Warning Electrical	
3	24237.0000	1	Decal, Notice - Interface Voltage	
4	25407.0000	1	Housing Assy W/Decals (G9-2 HD 120V)	Includes items 3, 16 & 18 Also order item 13
	25407.0004	1	Housing Assy W/Decals (BLK) (G9-2 HD 120V)	
	25407.0001	1	Housing Assy W/Decals (G9-2 HD 240V)	
	25407.0003	1	Housing Assy W/Decals (G9-2 HD 230V)	
	25408.0000	1	Housing Assy W/Decals SST (G9-2T HD 120V)	
	25408.0001	1	Housing Assy W/Decals (G9-2T HD 240V)	
	25408.0002	1	Housing Assy W/Decals (G9-2T HD 230V)	
	25408.0003	1	Housing Assy W/Decals Blk (G9-2T HD 120V)	
5	05921.0000	1	Plug, Hole .25" Dia.	
6	05809.0000	1	Base (G9-2 HD)	
	05809.0002	1	Base (G9-2 HD) (BLK)	
	05809.0001	1	Base (G9-2 HD-S)	
	05752.0000	1	Base (G9-2T HD)	
	02311.0000	6	Screw, Hex Crimptite 10 - 32 x .50"	
7	05816.0000	1	Pad, Base	
8	20798.1003	1	Panel Assy W/Decals (120V) (G9-2 HD)	Includes screws and washers below and items 9 & 10
	20798.1014	1	Panel Assy W/Decals (BLK) (120V) (G9-2 HD)	
	20798.1004	1	Panel Assy W/Decals SST (120V) (G9-2T HD W/O or 2 batch sel.)	
	20798.1012	1	Panel Assy W/Decals Blk (120V) (G9-2T HD W/O or 2 batch sel.)	
	20798.1011	1	Panel Assy W/Decals (120V) (G9-2T HD 3 batch sel.)	
	20798.1005	1	Panel Assy W/Decals (230V, 240V) (G9-2 HD)	
	20798.1006	1	Panel Assy W/Decals (240V) (G9-2T HD)	
	20798.1009	1	Panel Assy W/Decals (120V) (G9-2 HD-S)	
	01380.0000	2	Screw, Truss Head 6 - 32 x .50"	
	02323.0000	2	Screw, Truss Head Blk 6 - 32 x .50"	
01518.0000	2	Washer, Screw Retaining #6		
9	10756.0000	1	Schematic/Time Chart 120V (W/O or 2 batch sel.)	
	10756.0002	1	Schematic/Time Chart 120V (3 batch sel.)	
	10756.0001	1	Schematic/Time Chart 120V (G9-2 HD-S)	
	10768.0000	1	Schematic/Time Chart 240V	
10	05876.0000	1	Decal, Caution	
11	21620.1004	1	Cover Assy W/Decal SST (Includes screws and washers below and item 12)	
	21620.1011	1	Cover Assy W/Decal Blk (Includes screws and washers below and item 12)	
	01380.0000	2	Screw, Truss Head 6 - 32 x .50"	
	02323.0000	2	Screw, Truss Head Blk 6 - 32 x .50"	
	01518.0000	2	Washer, Screw Retaining #6	
12	24240.0000	1	Decal, Precision Grinder	
13	24239.0000	1	Decal, Control Panel (No batch sel.)	
	24239.0001	1	Decal, Control Panel (2 batch sel.) (Shown)	
	24239.0005	1	Decal, Control Panel (3 batch sel.)	
14	05827.0000	1	Plate, Switch Shield	
	02308.0000	2	Screw, Pan Head 8 - 32 x .38"	
	00912.0000	2	Clip, J-Type 8 - 32 (Late Models only)	

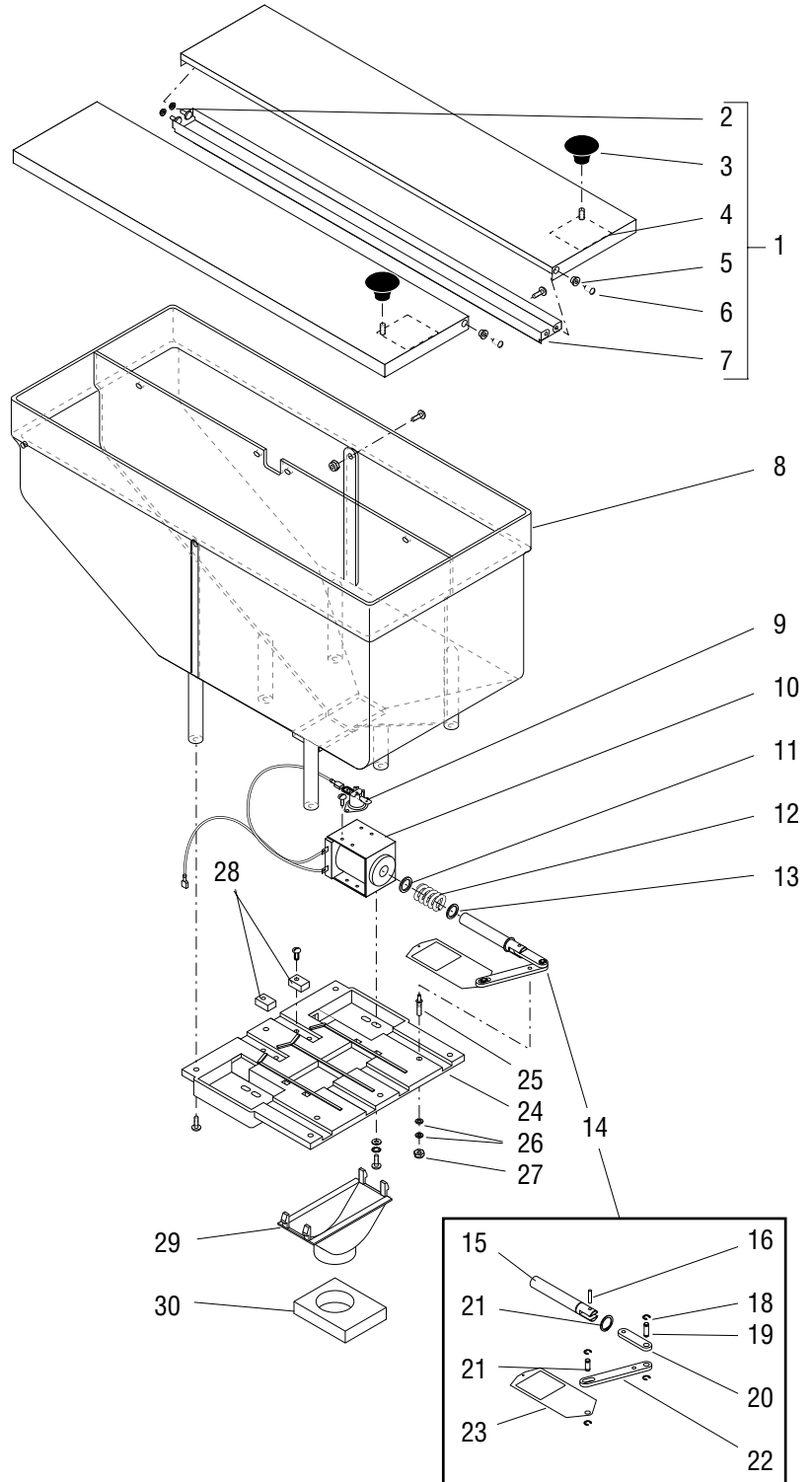
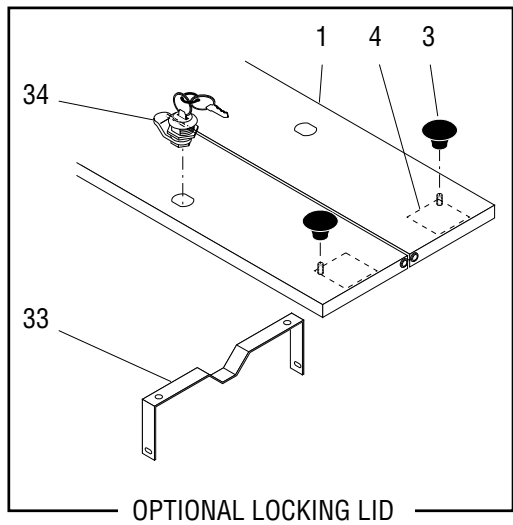
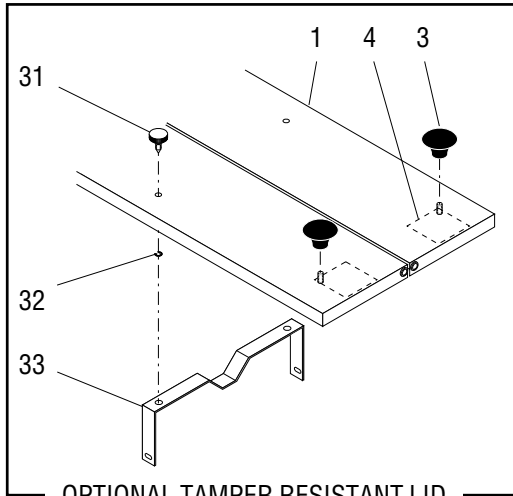
(Continued)

(Continued)



HOUSING, BASE AND PANELS

ITEM	PART NO.	QTY.	DESCRIPTION	
15	05839.0000	2	Funnel Rail	
	02308.0000	4	Screw, Pan Head 8 - 32 x .38"	
16	05884.0000	1	Decal, Motor Reset	
17	02999.0000	1	Plug, Hole 1.19" Dia.	
18	05814.0001	3	Window Assy (Includes adhesive)	
19	00917.0000	8	Clip, J-Type 8 - 32	
20	05771.0000	1	Funnel Rail, Left	} G9-2T HD Models only
	02308.0000	2	Screw, Pan Head 8 - 32 x .38"	
21	05770.0000	1	Funnel Rail, Right	
	02308.0000	2	Screw, Pan Head 8 - 32 x .38"	
22	05781.0000	2	Spring	
23	05743.0000	2	Screw, Stop 8 - 32 x .75"	
24	05742.0000	1	Bracket, Right Spring	
25	05741.0000	1	Bracket, Left Spring	

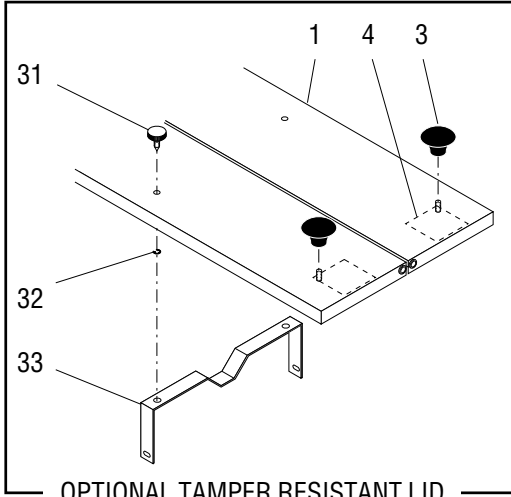


HOPPER, LID & SLIDE PLATE ASSEMBLY

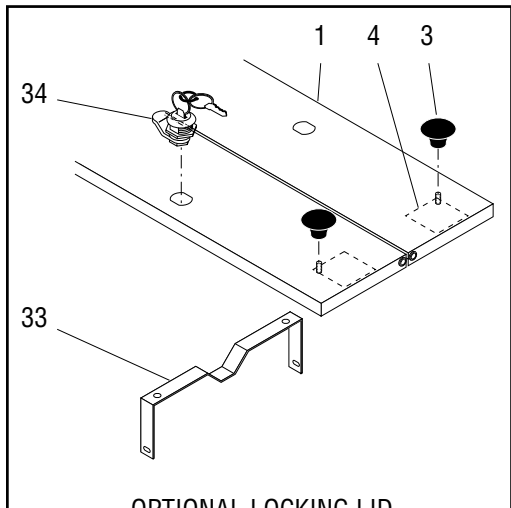
ITEM	PART NO.	QTY.	DESCRIPTION	
-	24243.1000	1	Hopper Assy, 120V	} Includes items 1 thru 29
-	24243.1001	1	Hopper Assy, 240V	
1	24399.0000	1	Lid Assy, Hopper SST	} Includes items 2 thru 7
	24399.0004	1	Lid Assy, Hopper Blk	
	24399.0001	1	Lid Assy, Hopper Tamper Resistant	
	24399.0002	1	Lid Assy, Hopper Locking	
	02328.0000	4	Screw, Pan Head 6 - 32 x .38"	
2	26033.0001	2	Bearing, Snap-in	
3	00725.0000	2	Knob	
4	05876.0000	2	Decal, Caution	
5	21438.0001	2	Washer, Shoulder .144" I.D.	
6	02328.0000	2	Screw, Pan Head #6-32 x .375"	
	01382.0007	2	Screw, Truss Head Blk #6-32 x .375"	
7	29358.0000	1	Channel, Hopper lid mounting	
8	05960.0000	1	Hopper Assy W/Inserts	
	02367.0000	2	Screw, Truss Head 6 - 32 x .62"	} SST Grinders
	01380.0000	2	Screw, Truss Head 6 - 32 x .50"	
	01388.0002	2	Screw, Truss Head Blk 6 - 32 x .75"	} Black Grinders
	02323.0000	2	Screw, Truss Head Blk 6 - 32 x .50"	
	00991.0002	4	Nut, Hex 6 - 32	
9	23917.0000	2	Limit Thermostat	
	01311.0000	8	Screw, Truss Head 8 - 32 x .25"	
10	05939.0003	2	Solenoid Assy (120V)	
	05939.0004	2	Solenoid Assy (240V)	
	02308.0000	8	Screw, Pan Head 8 - 32 x .38"	
	01501.0000	8	Washer, Flat	
11	23923.0000	2	Washer, Fiber .063" Thick	
12	23918.0000	2	Spring	
13	23922.0000	2	Washer, Retaining .035" Thick	
14	05969.0000	2	Slide Plate/Linkage Assy (Includes items 15 thru 23)	
15	-----	2	Plunger (Not available seperately order item 14)	
16	02858.0000	2	Pin, Spring .125" x .50"	
17	23919.0000	2	Snap Ring	
18	01403.0000	8	E-Ring	
19	05914.0002	2	Pin, Linkage .19" x .39"	
20	05911.0001	2	Link, Slide Plate (Short)	
21	05914.0001	2	Pin, Linkage .19" x .30"	

(Continued)

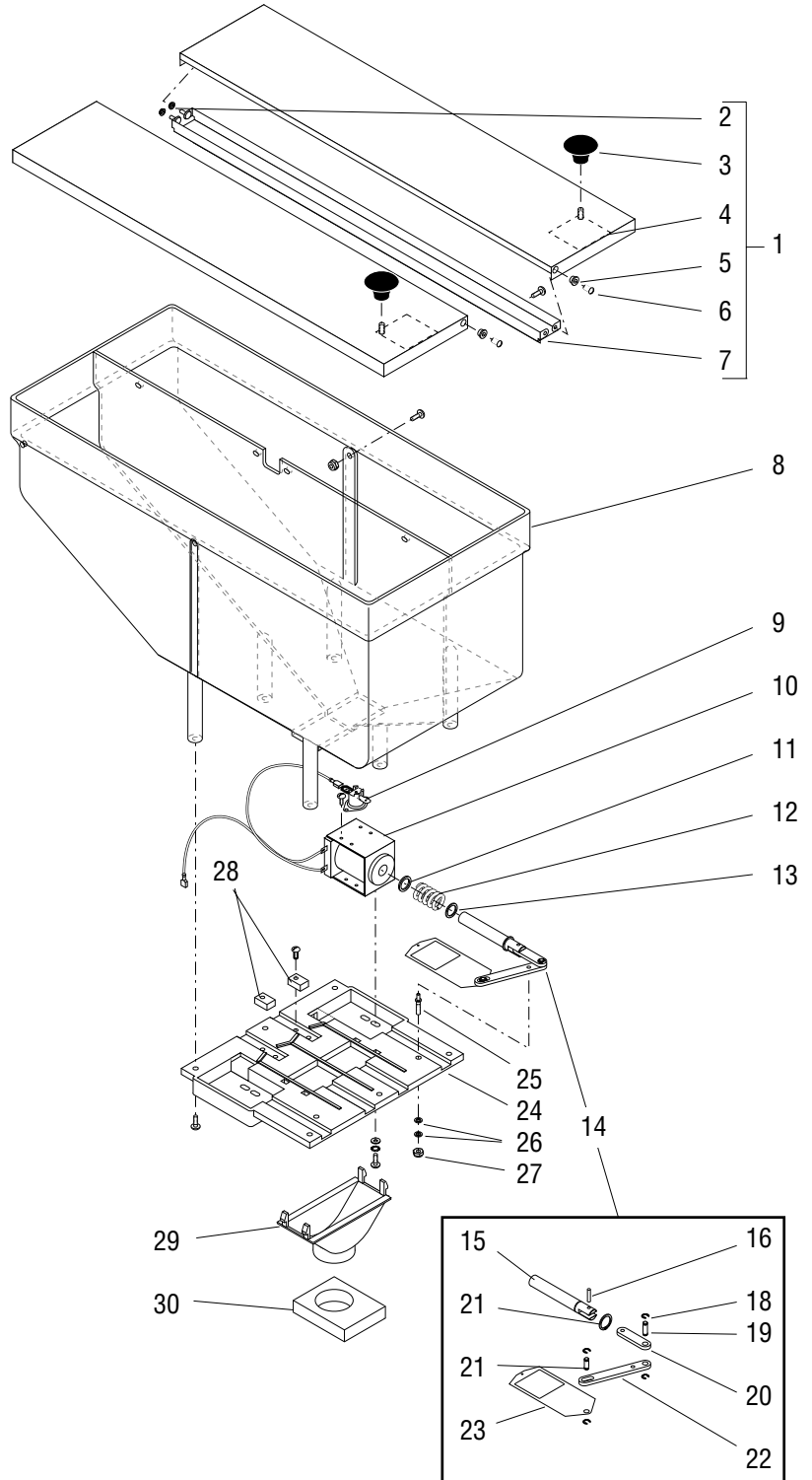
(Continued)



OPTIONAL TAMPER RESISTANT LID

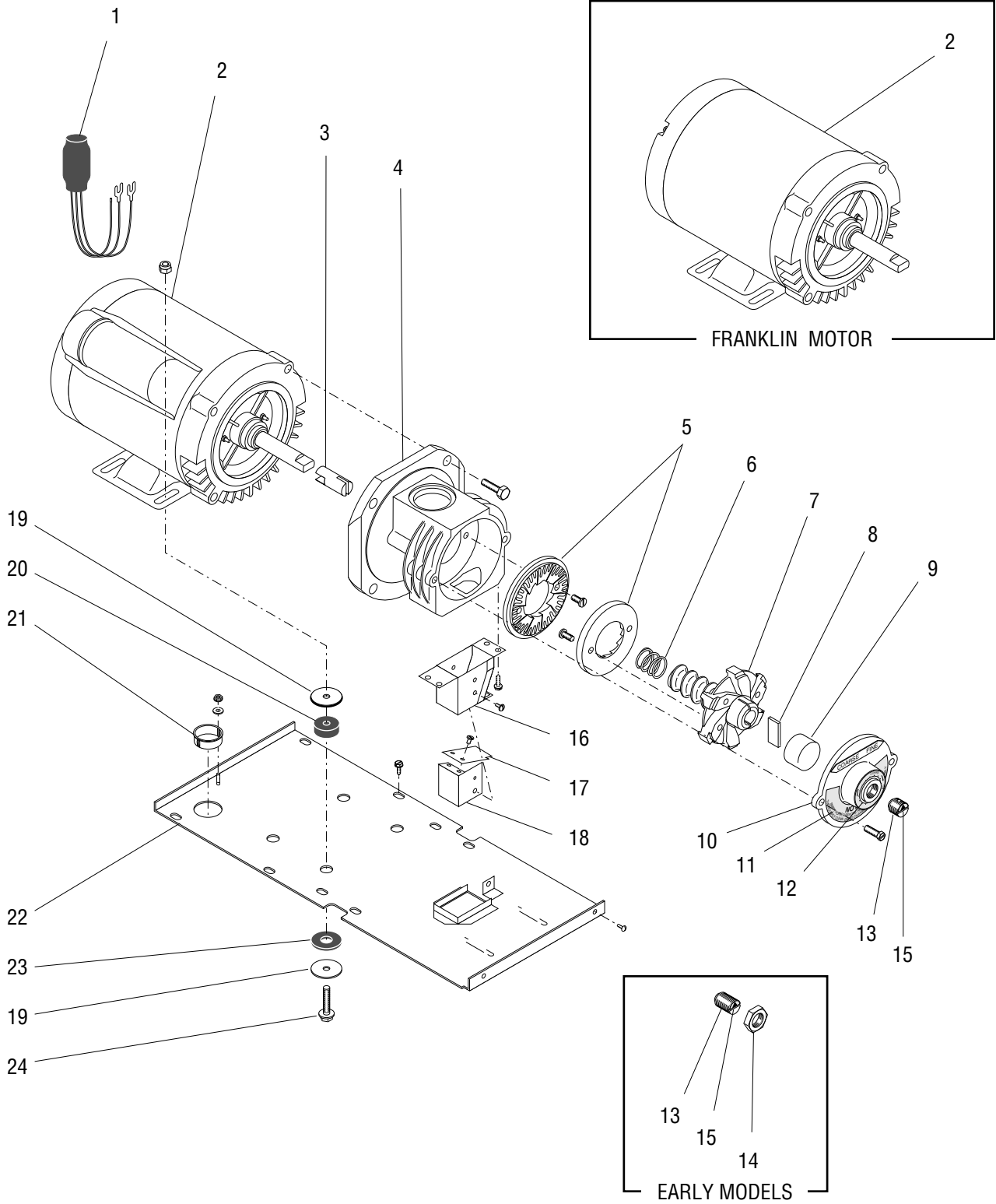


OPTIONAL LOCKING LID



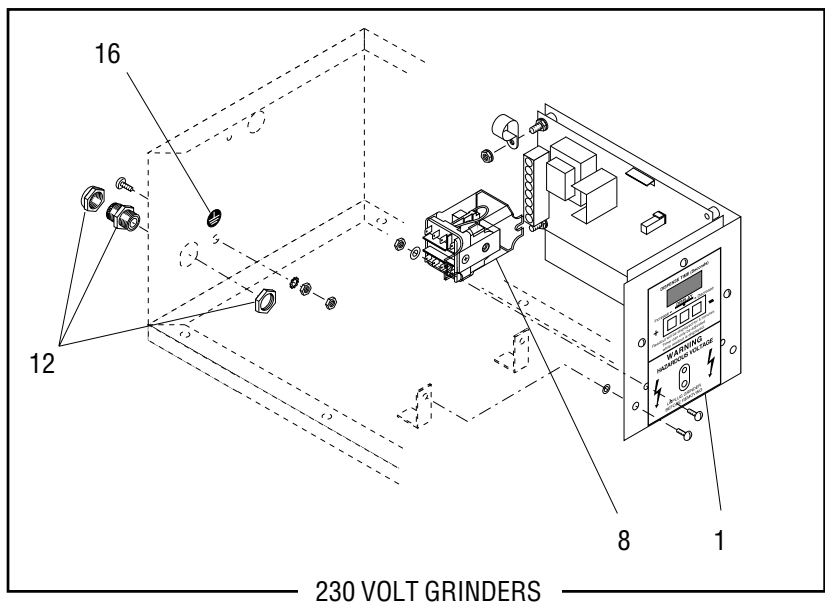
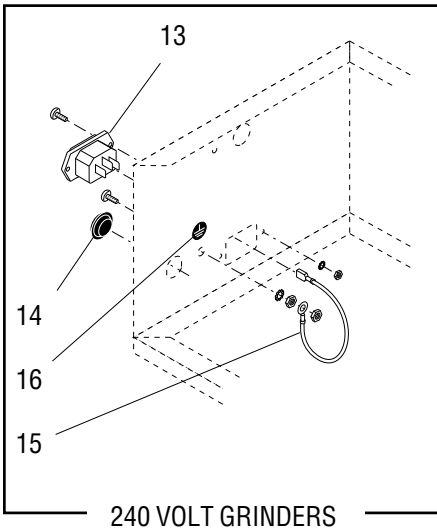
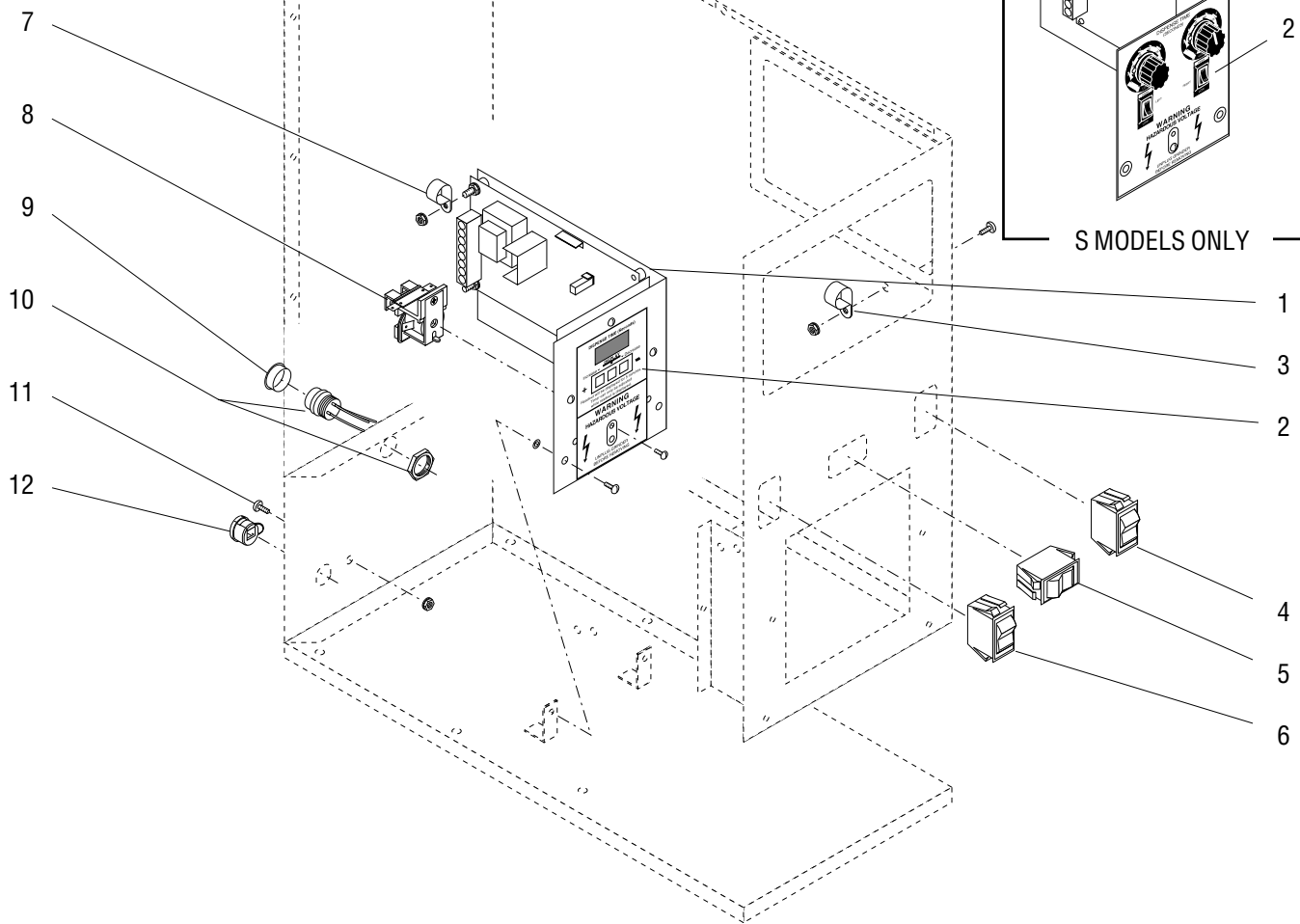
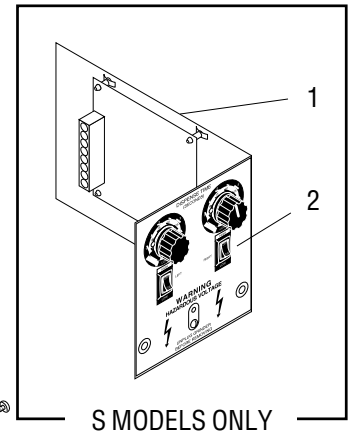
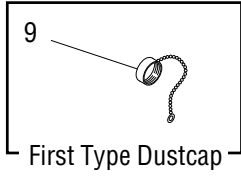
HOPPER, LID & SLIDE PLATE ASSEMBLY

ITEM	PART NO.	QTY.	DESCRIPTION
22	05910.0000	2	Link, Slide Plate (Long)
23	05912.0000	2	Slide Plate
24	05959.0001	1	Mounting Panel Assy, Slide Plate (Includes items 25, 26 & 27)
	01317.0000	6	Screw, Truss Head 8 - 32 x .50"
25	23920.0000	2	Pin, Pivot
26	01547.0000	4	Spacer .062" Thick
27	00991.0000	2	Nut, Elastic Lock 8 - 32
28	23921.0000	2	Block, Stop
	02336.0000	2	Screw, Truss Head 4 - 32 x .38"
29	05916.0000	1	Collector
30	21457.0000	1	Gasket, Burr Housing/Collector
31	01402.0000	2	Thumb Screw
32	01403.0000	2	E-Ring
33	05970.0001	1	Bracket, Lid Locking
34	11628.0000	2	Lid Lock Assy (Includes Keys) (New Keys should be made locally)



MOTOR, BURR HOUSING AND MOUNTING PLATE

ITEM	PART NO.	QTY.	DESCRIPTION
1	05965.0000	1	Snubber Assy, Timer
2	-----	1	Motor Assy, 115V (Franklin) (Early models. Order late model Motor)
	11090.0004	1	Motor Assy, 115V (Marathon) (Late models)
	11090.0005	1	Motor Assy, 230V
3	11191.0001	1	Shaft Extension
4	11180.0000	1	Burr Housing
	02313.0000	4	Screw, Hex Head .38" - 16 x 1.0"
5	05861.1002	1	Burr Set (Includes 2 Burrs and Screws below)
	02314.0000	4	Screw, Pan Head .25" - 20 x .50"
6	11192.0000	1	Spring
7	11185.0001	1	Burr Auger Rotor/Spring Assy (Includes item 6)
8	05852.0001	1	Shear Plate
9	00622.0000	1	Cup, Burr Rotor
10	05867.0000	1	Cap W/Decals, Burr Housing (Includes items 11 & 12)
	05867.0002	1	Cap & Adjustng Screw W/Decals, Burr Housing (Includes items 11 thru14) (Also order item 15)
	20631.0000	2	Screw, Slotted Hex Head .25" - 20 x .75"
11	05868.0000	1	Decal, Housing Cover
12	05880.0000	1	Decal, Grind Indicator
13	05864.0000	1	Adjusting Screw (Early models)
	35184.0000	1	Adjusting Screw (Late models)
			} Also order item 15
14	00989.0000	1	Nut, Locking
15	05796.0000	1	Decal, Adjusting Screw
16	05951.0000	1	Chute
	02330.0000	4	Screw, Slotted Hex Head 10 - 24 x .50"
17	05995.0000	1	Dechaffer Plate
	02327.0002	2	Screw, Pan Head 4 - 40 x .312"
18	05954.0000	1	Dechaffer Assy (Includes item 17)
	02328.0002	1	Screw, Pan Head 6 - 32 x .188"
19	01539.0000	8	Washer, Flat
20	05881.0000	4	Bushing
21	00718.0000	1	Bushing, 1.125" Dia. Hole
22	05957.0000	1	Plate, Motor Mounting
	02311.0000	6	Screw, Slotted Hex Head 10 - 32 x .50"
	01347.0000	2	Screw, Truss Head SST 6 - 32 x .38" (SST Grinders)
	01382.0007	2	Screw, Truss Head Blk Locking 6 - 32 x .38" (Black Grinders)
23	05882.0000	4	Washer, 1.50" Dia.
24	02312.0000	4	Screw, Hex Washer Head .312" - 18 X 1.50"
	00987.0000	4	Nut, Lock .312" - 18

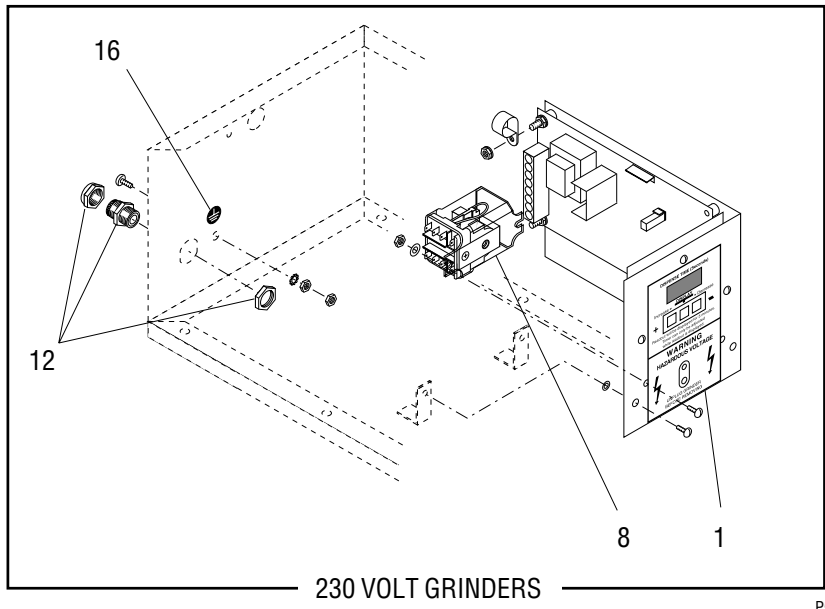
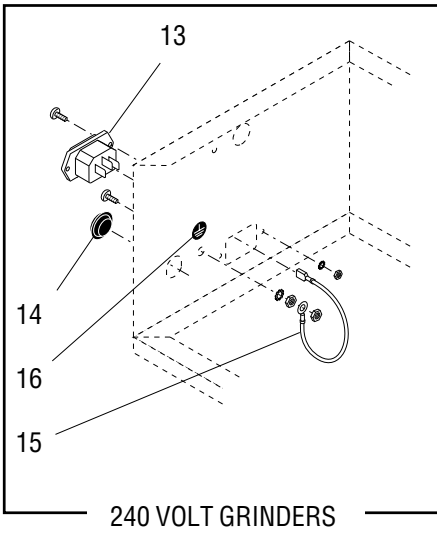
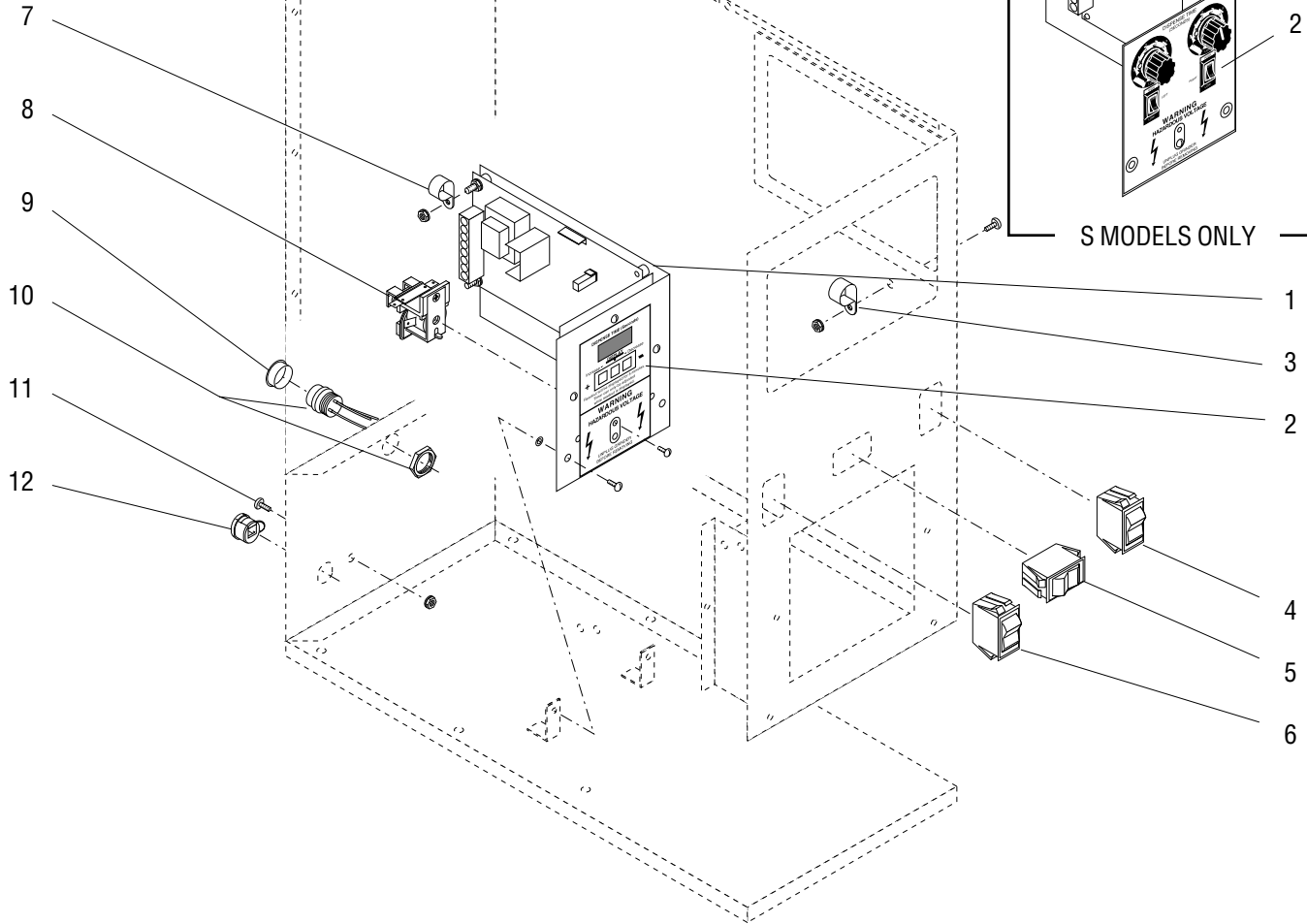
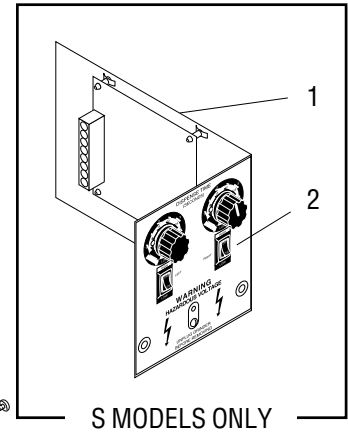
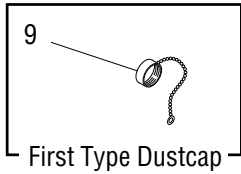


ELECTRICAL CONTROLS

ITEM	PART NO.	QTY.	DESCRIPTION	
1	05958.1006	1	Timer/Bracket Assy (120V All except S Models)	} Includes screws and washers below and item 2
	05958.1008	1	Timer/Bracket Assy (230V, 240V)	
	25623.1000	1	Timer/Bracket Assy (120V) (S Models only)	
	01315.0000	2	Screw, Truss Head 8 - 32 x .375"	
	01516.0000	2	Washer, Screw Retaining	
2	05942.0000	1	Decal, Timer (All except S Models)	
	25763.0000	1	Decal, Timer (S Models only)	
3	00603.0000	4	Clamp, cable .438" I.D. (2 less used on late grinders)	
	01315.0000	1	Screw, Truss Head 8 - 32 x .375" (SST Grinders)	
	01315.0003	1	Screw, Truss Head Brass 8 - 32 x .375" (Brass Grinders)	
	02322.0002	1	Screw, Truss Head Black 8 - 32 x .375" (Black Grinders)	
	00970.0000	3	Nut, Keps 8 - 32 (2 less used on late grinders)	
4	06536.0000	1	Switch, 2 batch selection (SST Grinders with Multi Set Option only)	
	29107.0000	1	Switch, 3 batch selection (SST Grinders with Multi Set Option only)	
5	05789.0000	1	Switch, Hopper Selection	
6	05815.0000	1	Switch, Off/On/Start	
7	05920.0000	1	Clamp, cable .25" I.D.	} All except S Models
	00973.0000	1	Nut, Keps 6 - 32	
8	05850.0000	1	Relay (120V Grinders)	
	05892.0000	1	Relay (240V Grinders)	
	28034.0000	1	Relay (230V Grinders)	
	01347.0000	1	Screw, Truss Head 6 - 32 x .375"	
9	-----	1	Dustcap W/Chain (First type not available order second type cap)	
	27657.0000	1	Cap, Dust (Second type)	
10	12274.0002	1	Socket Assy W/Leads, Interface	
11	01326.0000	1	Screw, Ground Truss Head SST 10 - 32 x .25"	
	00971.0000	1	Nut, Keps 10 - 32	
12	00707.0000	1	Bushing, Strain Relief (120V Grinders)	
	05746.0000	1	Bushing, Strain Relief (230V Grinders)	
13	01908.0000	1	Power Connector	} 240 Volt Grinders only
	01362.0000	2	Screw, Oval Head 4 - 40 x .50"	
	01509.0000	2	Lockwasher, External Tooth #4	
	00937.0000	1	Nut, Hex 4 - 40	
14	05749.0000	1	Plug, .625" Dia.	
15	21016.0013	1	Lead, Elect. Grn/Yel 4.0" (Ground)	
	01375.0000	1	Screw, Brass Pan Head 10 - 32 x .50"	
	01512.0000	1	Lockwasher, External Tooth #10	
	00909.0000	1	Nut, Brass 10 - 32	
16	00824.0000	1	Decal, Ground	

(Continued)

(Continued)



ELECTRICAL CONTROLS

ITEM	PART NO.	QTY.	DESCRIPTION
Note: The following items are not illustrated			
17	24241.1000	1	Wiring Harness, Main (120V Grinders)
	24330.0000	1	Wiring Harness, Main (240V Grinders)
	28126.0000	1	Wiring Harness, Main (230V Grinders)
18	24242.0000	1	Wiring Harness, Switch/Interface
19	29108.0000	1	Wiring Harness, (3 batch selector switch)
20	05188.0002	1	Cable, Interface
21	21005.0561	2	Lead, Electrical White/Black 10.0" (Hopper Solenoid to Main Harness)
22	01712.0000	1	Cord Assy, Power 120V
	27728.0001	1	Cord Assy, Power 230V
23	00669.0000	1	Plug, Hole .625" Dia. (Models W/O Interface)
24	22749.0000	2	Pad, Cable Tie (Self adhesive)
25	00617.0000	2	Tie, Cable

NUMERICAL INDEX

PART NO.	PAGE NO.	PART NO.	PAGE NO.	PART NO.	PAGE NO.	PART NO.	PAGE NO.
00603.0000	15	02858.0000	9	05969.0000	9	25407.0003	5
00617.0000	17	02999.0000	7	05970.0001	11	25407.0004	5
00622.0000	13	05188.0002	17	05995.0000	13	25408.0000	5
00669.0000	17	05741.0000	7	06536.0000	15	25408.0001	5
00707.0000	15	05742.0000	7	10756.0000	5	25408.0002	5
00718.0000	13	05743.0000	7	10756.0001	5	25408.0003	5
00725.0000	9	05746.0000	15	10756.0002	5	25623.1000	15
00824.0000	15	05749.0000	15	10768.0000	5	25763.0000	15
00909.0000	15	05752.0000	5	11090.0004	13	26033.0001	9
00912.0000	5	05770.0000	7	11090.0005	13	27657.0000	15
00917.0000	7	05771.0000	7	11180.0000	13	27728.0001	17
00937.0000	15	05781.0000	7	11185.0001	13	28034.0000	15
00970.0000	15	05789.0000	15	11191.0001	13	28126.0000	17
00971.0000	15	05796.0000	13	11192.0000	13	29107.0000	15
00973.0000	15	05809.0000	5	11628.0000	11	29108.0000	17
00987.0000	13	05809.0001	5	12274.0002	15	29358.0000	9
00989.0000	13	05809.0002	5	20545.0000	5	35184.0000	13
00991.0000	11	05814.0001	7	20631.0000	13		
00991.0002	9	05815.0000	15	20798.1003	5		
01311.0000	9	05816.0000	5	20798.1004	5		
01311.0003	5	05827.0000	5	20798.1005	5		
01315.0000	5,15	05839.0000	7	20798.1006	5		
01315.0003	15	05844.1000	5	20798.1009	5		
01317.0000	11	05850.0000	15	20798.1011	5		
01326.0000	15	05852.0001	13	20798.1012	5		
01347.0000	13,15	05861.1002	13	20798.1014	5		
01362.0000	15	05864.0000	13	21005.0561	17		
01375.0000	15	05867.0000	13	21016.0013	15		
01380.0000	5,9	05867.0002	13	21438.0001	9		
01382.0007	9,13	05868.0000	13	21457.0000	11		
01388.0002	9	05876.0000	5,9	21620.1004	5		
01402.0000	11	05880.0000	13	21620.1011	5		
01403.0000	9,11	05881.0000	13	22749.0000	17		
01501.0000	9	05882.0000	13	23917.0000	9		
01509.0000	15	05884.0000	7	23918.0000	9		
01512.0000	15	05892.0000	15	23919.0000	9		
01516.0000	15	05910.0000	11	23920.0000	11		
01518.0000	5	05911.0001	9	23921.0000	11		
01539.0000	13	05912.0000	11	23922.0000	9		
01547.0000	11	05914.0001	9	23923.0000	9		
01712.0000	17	05914.0002	9	24237.0000	5		
01908.0000	15	05916.0000	11	24239.0000	5		
02308.0000	5,7,9	05920.0000	15	24239.0001	5		
02311.0000	5,13	05921.0000	5	24239.0005	5		
02312.0000	13	05939.0003	9	24240.0000	5		
02313.0000	13	05939.0004	9	24241.1000	17		
02314.0000	13	05942.0000	15	24242.0000	17		
02322.0002	15	05951.0000	13	24243.1000	9		
02323.0000	5,9	05954.0000	13	24243.1001	9		
02327.0002	13	05957.0000	13	24330.0000	17		
02328.0000	9	05958.1006	15	24399.0000	9		
02328.0002	13	05958.1008	15	24399.0001	9		
02330.0000	13	05959.0001	11	24399.0004	9		
02336.0000	11	05960.0000	9	25407.0000	5		
02367.0000	9	05965.0000	13	25407.0001	5		