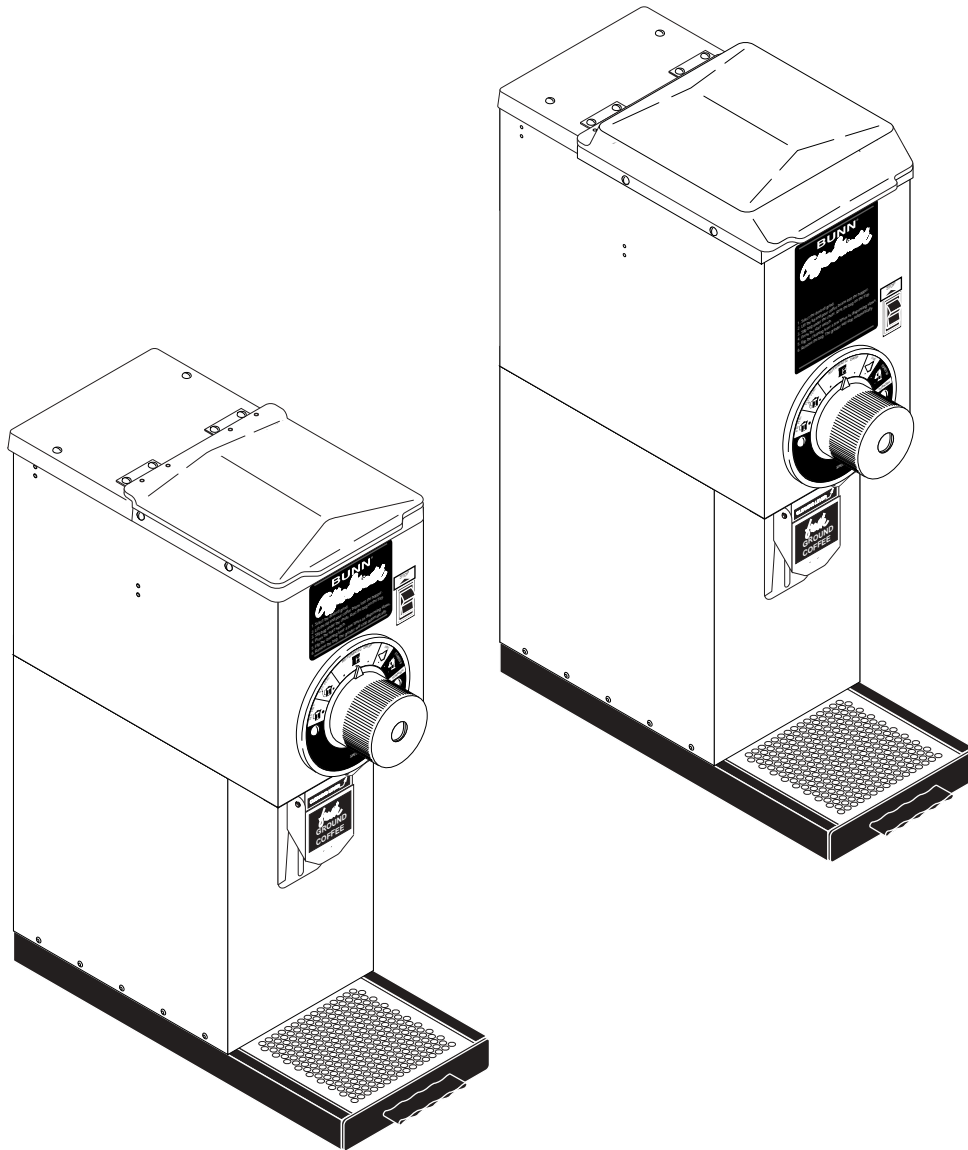


BUNN® *G-1, G-2, G-3*



ILLUSTRATED PARTS CATALOG

Designs, materials, weights, specifications, and dimensions for equipment or replacement parts are subject to change without notice.

BUNN-O-MATIC CORPORATION

POST OFFICE BOX 3227

SPRINGFIELD, ILLINOIS 62708-3227

PHONE: (217) 529-6601 FAX: (217) 529-6644

BUNN-O-MATIC COMMERCIAL PRODUCT WARRANTY

Bunn-O-Matic Corp. ("BUNN") warrants equipment manufactured by it as follows:

- 1) All equipment other than as specified below: 2 years parts and 1 year labor.
- 2) Electronic circuit and/or control boards: parts and labor for 3 years.
- 3) Compressors on refrigeration equipment: 5 years parts and 1 year labor.
- 4) Grinding burrs on coffee grinding equipment to grind coffee to meet original factory screen sieve analysis: parts and labor for 3 years or 30,000 pounds of coffee, whichever comes first.

These warranty periods run from the date of installation BUNN warrants that the equipment manufactured by it will be commercially free of defects in material and workmanship existing at the time of manufacture and appearing within the applicable warranty period. This warranty does not apply to any equipment, component or part that was not manufactured by BUNN or that, in BUNN's judgment, has been affected by misuse, neglect, alteration, improper installation or operation, improper maintenance or repair, damage or casualty. This warranty is conditioned on the Buyer 1) giving BUNN prompt notice of any claim to be made under this warranty by telephone at (217) 529-6601 or by writing to Post Office Box 3227, Springfield, Illinois 62708-3227; 2) if requested by BUNN, shipping the defective equipment prepaid to an authorized BUNN service location; and 3) receiving prior authorization from BUNN that the defective equipment is under warranty.

THE FOREGOING WARRANTY IS EXCLUSIVE AND IS IN LIEU OF ANY OTHER WARRANTY, WRITTEN OR ORAL, EXPRESS OR IMPLIED, INCLUDING, BUT NOT LIMITED TO, ANY IMPLIED WARRANTY OF EITHER MERCHANTABILITY OR FITNESS FOR A PARTICULAR PURPOSE. The agents, dealers or employees of BUNN are not authorized to make modifications to this warranty or to make additional warranties that are binding on BUNN. Accordingly, statements by such individuals, whether oral or written, do not constitute warranties and should not be relied upon.

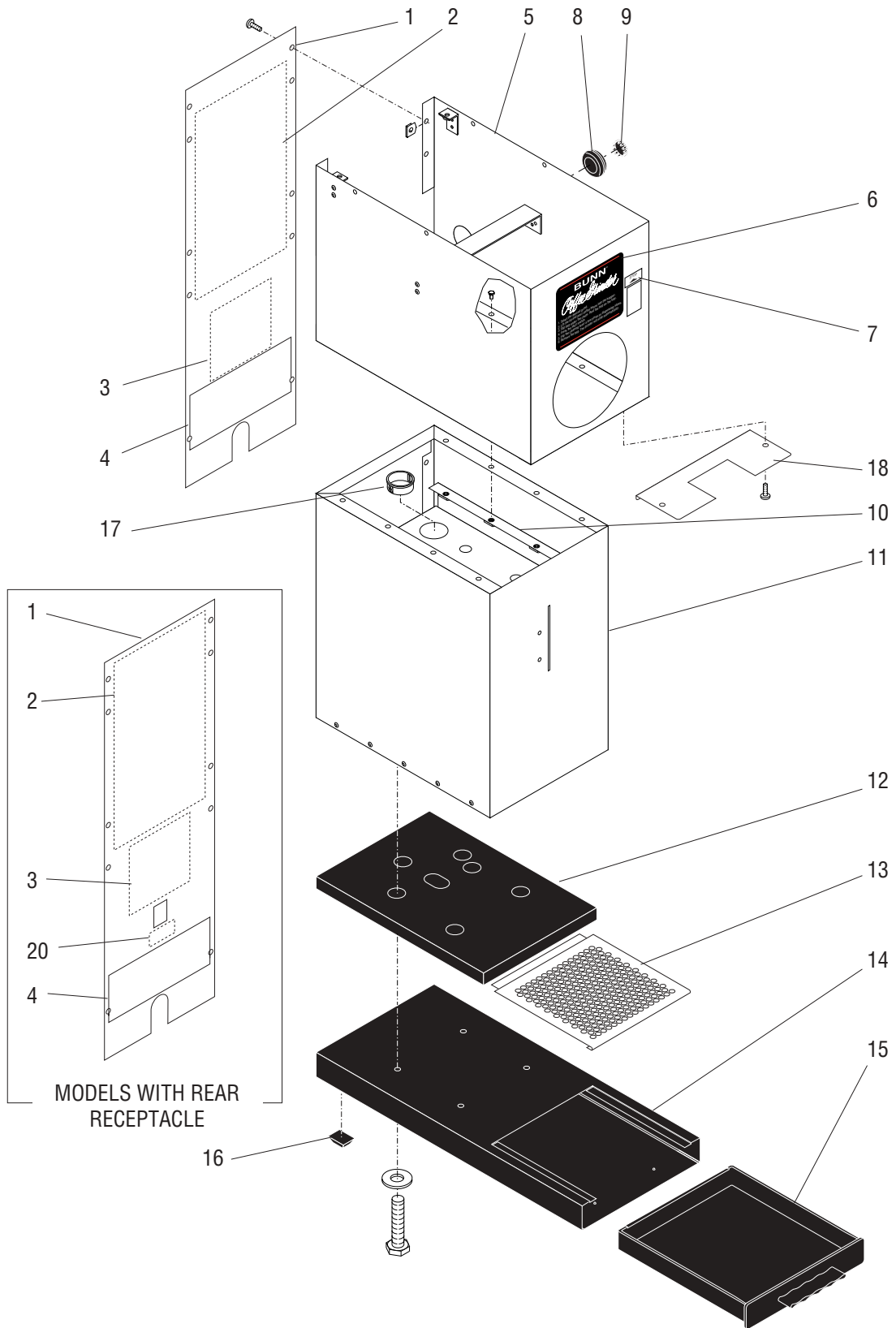
If BUNN determines in its sole discretion that the equipment does not conform to the warranty, BUNN, at its exclusive option while the equipment is under warranty, shall either 1) provide at no charge replacement parts and/or labor (during the applicable parts and labor warranty periods specified above) to repair the defective components, provided that this repair is done by a BUNN Authorized Service Representative; or 2) shall replace the equipment or refund the purchase price for the equipment.

THE BUYER'S REMEDY AGAINST BUNN FOR THE BREACH OF ANY OBLIGATION ARISING OUT OF THE SALE OF THIS EQUIPMENT, WHETHER DERIVED FROM WARRANTY OR OTHERWISE, SHALL BE LIMITED, AT BUNN'S SOLE OPTION AS SPECIFIED HEREIN, TO REPAIR, REPLACEMENT OR REFUND.

In no event shall BUNN be liable for any other damage or loss, including, but not limited to, lost profits, lost sales, loss of use of equipment, claims of Buyer's customers, cost of capital, cost of down time, cost of substitute equipment, facilities or services, or any other special, incidental or consequential damages.

TABLE OF CONTENTS

TITLE	PAGE NO.
Base, Housing and Panels	4
Electrical and Operating Controls.....	18
Hopper and Lids	8
Motor, Burr Housing and Bracket (AC)	10
Motor, Burr Housing and Bracket (DC)	14
Numerical Index.....	20



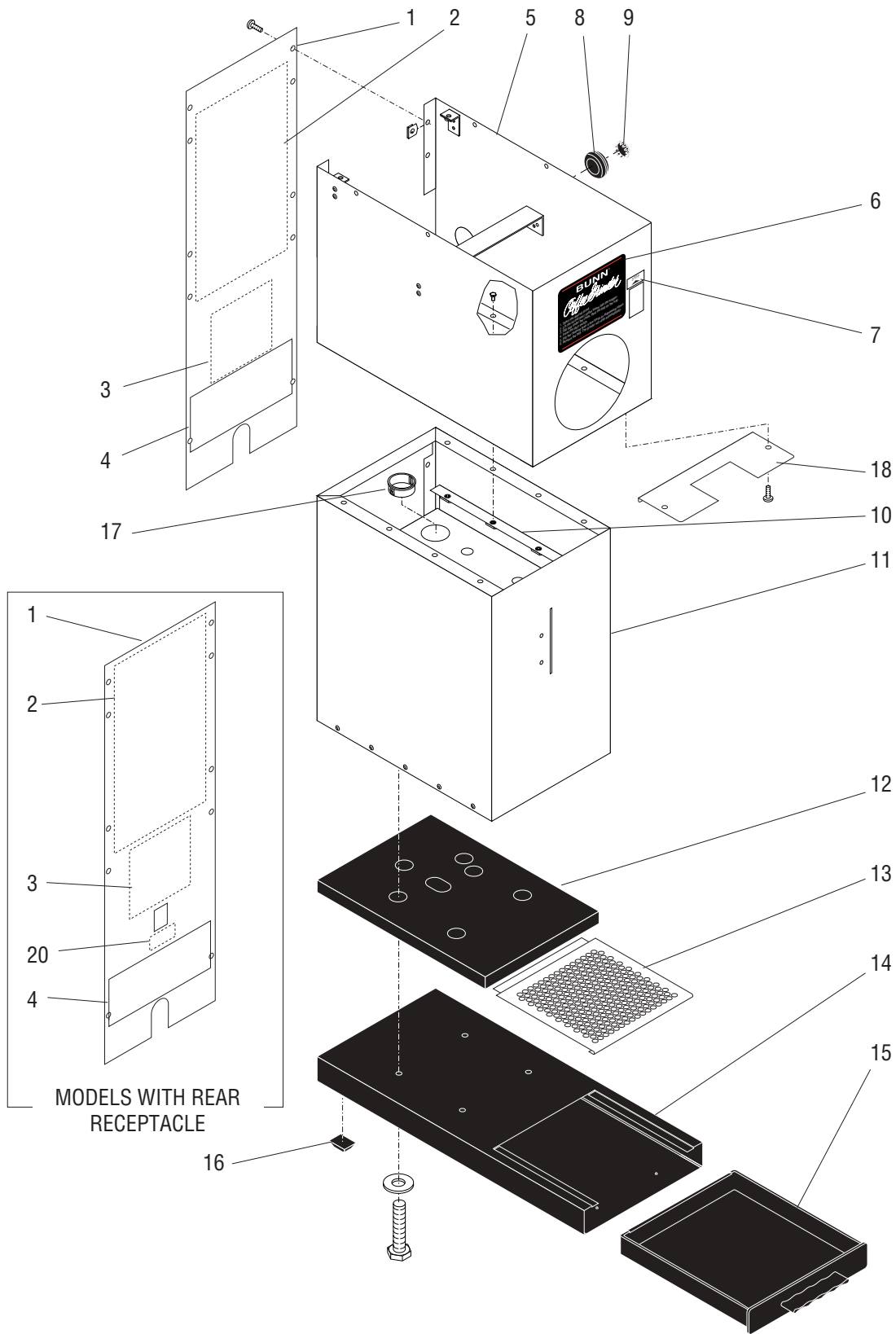
MODELS WITH REAR
RECEPTACLE

BASE, HOUSING AND PANELS

ITEM	PART NO.	QTY.	DESCRIPTION		
1	22085.1000	1	Panel W/Decals, Rear BLK 120V AC (Includes items 2, 3 & 4)	G1 Grinder	
	22085.1001	1	Panel W/Decals, Rear RED 120V AC (Includes items 2, 3 & 4)		
	22085.1002	1	Panel W/Decals, Rear BLK 120V DC (Includes items 2, 3 & 4)		
	22085.1003	1	Panel W/Decals, Rear RED 120V DC (Includes Items 2, 3 & 4)		
	22085.1005	1	Panel W/Decals, Rear BLK 230V AC (Includes items 2, 3 & 4)		
	22085.1006	1	Panel W/Decals, Rear RED 230V AC (Includes Items 2, 3 & 4)		
	22085.1007	1	Panel W/Decals, Rear BLK 120V AC (Includes items 2, 3,4 &20)		
	22111.1000	1	Panel W/Decals, Rear BLK 120V AC (Includes items 2, 3 & 4)	G2 & G3 Grinders	
	22111.1001	1	Panel W/Decals, Rear RED 120V AC (Includes items 2, 3 & 4)		
	24342.1001	1	Panel W/Decals, Rear BLK 230V AC (Includes items 2 & 3)		
		24342.1000	1	Panel W/Decals, Rear RED 230V AC (Includes items 2 & 3)	
		02322.0002	10	Screw, Truss Head - BLK #8-32 x .375"	Two Less Used On G2 & G3 Grinders
		00912.0000	10	Fastener, "J" Type #8-32	
2	10113.0000	1	Decal, Operation & Service (120V & 230V AC Models)		
	23744.0000	1	Decal, Operation & Service (120V DC Models)		
3	20545.0000	1	Decal, Warning - Electrical		
4	10190.0000	1	Schematic, 120V AC		
	10621.0000	1	Schematic, 120V DC		
5	22282.1000	1	Housing, Upper BLK (Includes items 6 & 7)	G1 Grinder	
	22282.1001	1	Housing, Upper RED (Includes items 6 & 7)		
	22026.0000	1	Housing, Upper BLK (Also order items 6 & 7)	G2 & G3 Grinders	
	22026.0001	1	Housing, Upper RED (Also order items 6 & 7)		
	01330.0000	8	Screw, Hex Head-Serrated #10-32 x .375"		
6	25152.0000	1	Decal, Bunn - Coffee Grinding Instructions (G1 Grinder)		
	25153.0000	1	Decal, Bunn - Coffee Grinding Instructions (G2 & G3 Grinders)		
7	11098.0000	1	Decal, Stop		
8	23163.0000	1	Grommet		
9	23164.0000	1	Plug, Hole - BLK .875 Dia		
10	21857.0000	1	Bracket, Motor Mounting		
11	22032.0000	1	Housing, Lower - BLK (120V Models)	G1 Grinder	
	22032.0001	1	Housing, Lower - RED (120V Models)		
	22032.0004	1	Housing, Lower - BLK (230V Models)		
	22032.0005	1	Housing, Lower - RED (230V Models)		
	22025.0000	1	Housing, Lower - BLK (120V Models)	G2 & G3 Grinders	
	22025.0001	1	Housing, Lower - RED (120V Models)		
	22025.0008	1	Housing, Lower - BLK (230V Models)		
	22025.0009	1	Housing, Lower - RED (230V Models)		
	22025.0002	1	Housing, Lower - BLK (240V 60 HZ G3 Grinders)		
	22025.0003	1	Housing, Lower - RED (240V 60 HZ G3 Grinders)		
12	11174.0000	1	Pad, Base - Adhesive Back		
13	11274.0001	1	Cover, Tray		

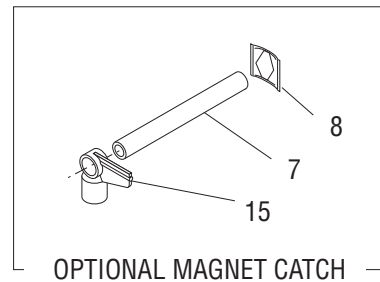
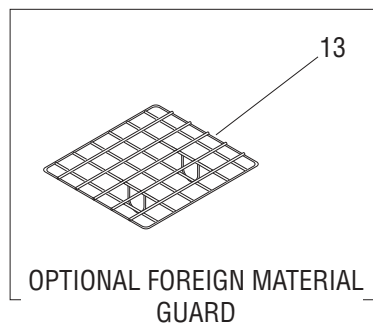
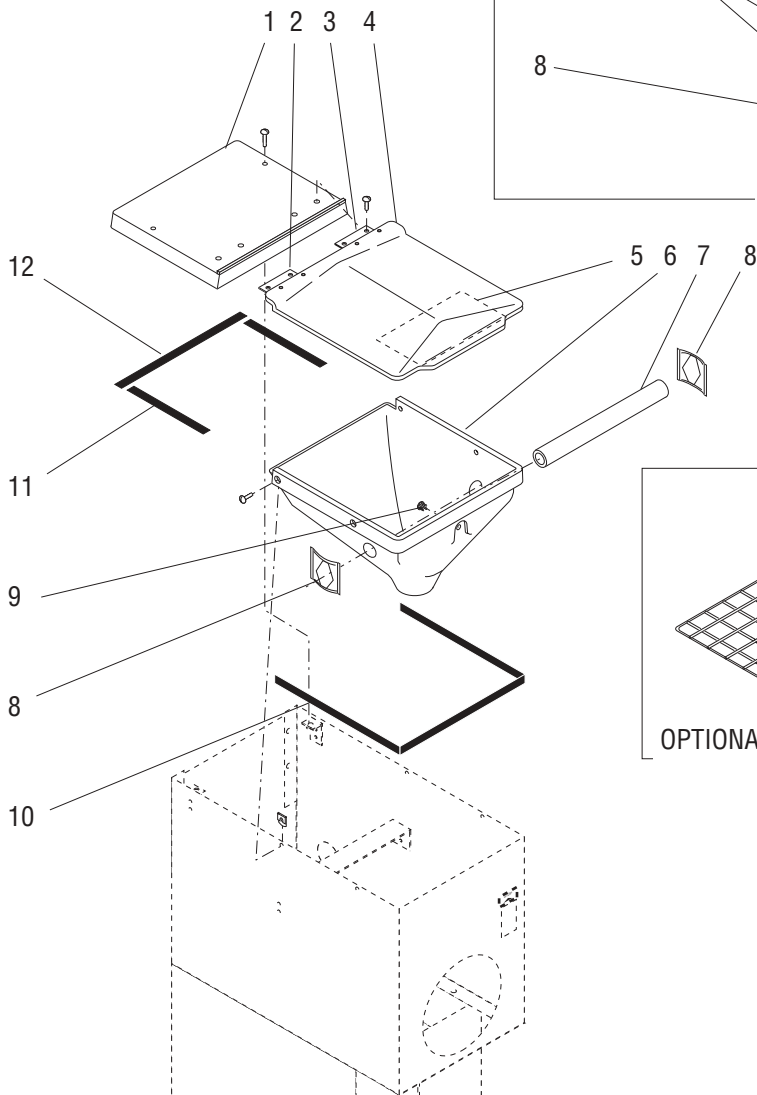
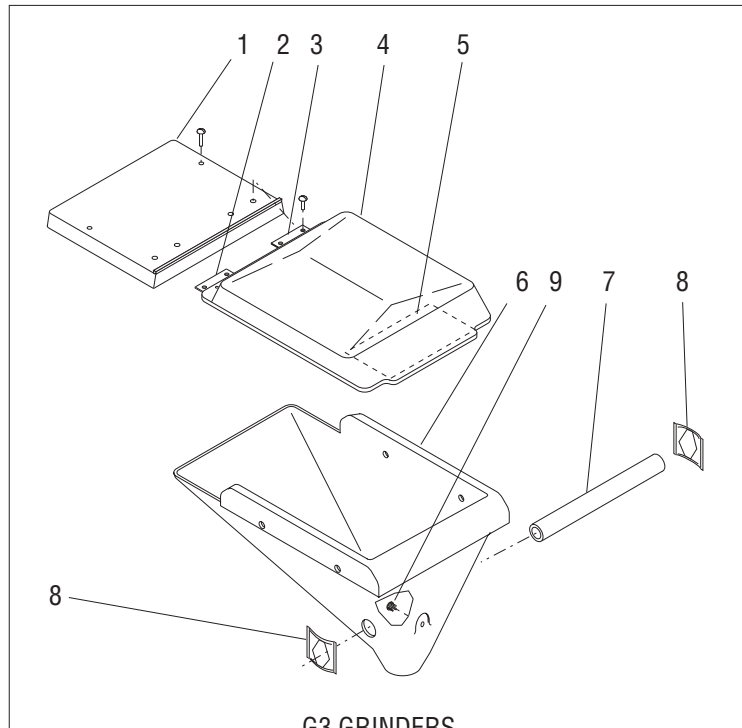
(Continued)

(Continued)



BASE, HOUSING AND PANELS

ITEM	PART NO.	QTY.	DESCRIPTION
14	-----	1	Base/Tray Housing (Not serviced, order item 19)
	02359.0000	4	Screw, Hex Head #10-32 x 1.25"
	02360.0000	4	Washer, .188" I.D. x .750" O.D.
15	11275.0001	1	Drawer
16	02547.0000	4	Foot, Rubber
17	01592.0001	1	Bushing, Snap 1.188" Dia
18	29011.0000	1	Plate, Filler
	02363.0000	2	Screw, Pan Head - Thread Forming #8 x .375"
19	11282.0001	-	Tray/Base Kit (Includes items 13 thru 16)
20	05787.0000	1	Decal, Caution - Receptacle Load



HOPPER AND LIDS

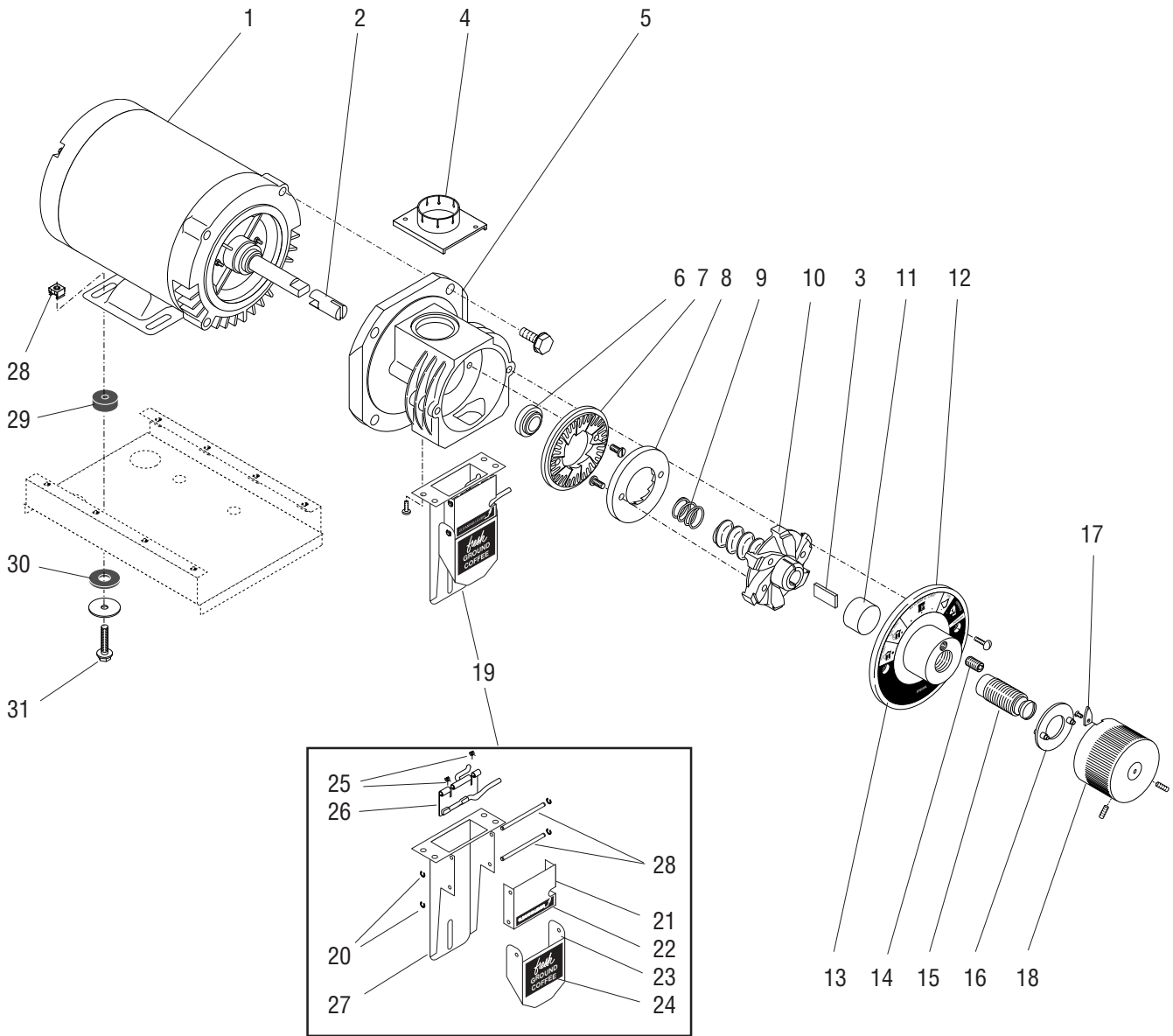
ITEM	PART NO.	QTY.	DESCRIPTION
1	11031.0003	1	Lid, Rear - BLK (G1 Grinder)
	11031.0002	1	Lid, Rear - BLK (G2 & G3 Grinders)
	01388.0002	2	Screw, Truss Head - BLK #6-32 x .75"
2	29012.0000	1	Hinge, Left (See item 4)
	01311.0003	2	Screw, Truss Head - BLK #8-32 x .25"
3	29012.0001	1	Hinge, Right (See item 4)
	01311.0003	2	Screw, Truss Head - BLK #6-32 x .25"
4	29129.0000	1	Lid, Front - BLK (Includes items 2, 3 & 5) (G1 Grinder)
	29129.0001	1	Lid, Front - BLK (Includes items 2, 3 & 5) (G2 Grinder)
	29129.0002	1	Lid, Front - BLK (Includes Items 2, 3 & 5) (G3 Grinder)
5	11076.0000	1	Decal, Caution - Close Lid
6	11256.0001	1	Hopper Assy (Includes items 7, 8 & 9) (G1 Grinder)
	20226.0000	1	Hopper Assy (Includes items 7, 8 & 9) (G2 Grinder)
	21261.0000	1	Hopper Assy (Includes items 7, 8 & 9) (G3 Grinder)
	01310.0000	4	Screw, Pan Head #6-32 x .25"
	01335.0000	4	Fastener, "J" Type #6-32
7	11116.0000	1	Tube, Finger Guard
8	11119.0000	2	Fastener, Push-On
9	20621.0000	1	Plug, Hole .203" Dia
10	11079.0000	1	Sponge, .125" x .438" x 24" LG
11	-----	2	Gasket, Foam W/Adhesive 5.25" LG (Order item 14) (G1, G2 & G3 Grinders)
	-----	2	Gasket, Foam W/Adhesive 2.10" LG (Order item 14) (G2 Grinder)
12	-----	1	Gasket, Foam W/Adhesive 7.00" LG (Order item 14) (G1, G2 & G3 Grinders)
13	27019.0000	1	Guard, Foreign Material (G1 Grinders)
	28001.0000	1	Guard, Foreign Material (G2 Grinders)
	28002.0000	1	Guard, Foreign Material (G3 Grinders)
14	22462.1000	-	Gasket, Foam W/Adhesive 24"
15	20208.0100	1	Magnet Catch (Optional)

AC MOTOR, BURR HOUSING AND MOUNTING BRACKET

ITEM	PART NO.	QTY.	DESCRIPTION
1	11090.0004	1	Motor Assy, 115V 60HZ (Includes items 2 & 6)
	11090.0005	1	Motor Assy, 240V 50 HZ (Includes items 2 & 6)
	11090.0006	1	Motor Assy, 240V 60 HZ (Includes items 2 & 6)
2	11191.0001	1	Extension, Motor Shaft
3	05852.0001	1	Plate, Shear
4	11089.0000	1	Collar, Hopper
5	11180.0000	1	Housing, Burr
	02313.0000	4	Screw, Hex Head W/Washer .375"-16 x 1.0"
6	05870.0000	1	Bushing
7	-----	1	Burr (Not available. Order item 33)
	02314.0000	2	Screw, Pan Head .25"-20 x .50"
8	-----	1	Burr (Not available. Order item 33)
	02314.0000	2	Screw, Pan Head .25"-20 x .50"
9	11192.0000	1	Spring
10	11185.0001	1	Burr Auger Rotor/Spring Assy (Includes item 9)
11	00622.0000	1	Cup, Burr Rotor
12	11066.0000	1	Plate, Grind Selector Dial (Includes item 13 & 14)
	11064.0000	2	Screw, Fillister Head .250"-20 x .75"
13	11075.0000	1	Decal, Grind Select
	11075.0004	1	Decal, Grind Select - Turkish
14	11086.0000	1	Dentent, Spring Plunger
15	11081.0000	1	Screw W/Bearing, Adjusting
16	11067.0000	1	Plate, Dentent
17	11072.0000	1	Pointer
	02309.0000	1	Screw, Flat Head #4-40 x .25"
18	11065.0000	1	Knob, Grind Selector (Includes items 16, 17 and set screws indented below)
	11068.0000	2	Set Screw, .312" x 1.0"
19	29085.1000	1	Chute/Dechaffer Assy (G1) (Includes items 20 thru 28)
	29085.1001	1	Chute/Dechaffer Assy (G2/G3) (Includes items 20 thru 28)
20	11177.0000	4	Ring, Retaining
21	28980.0000	1	Cover, Chute - Upper
22	20204.1500	1	Decal, Cleaning Lever
23	28979.0000	1	Cover, Chute - Lower (For 5.75" LG Chute) (Also order item 24) (G1 Grinders)
	28979.0001	1	Cover, Chute - Lower (For 7.00" LG Chute) (Also order item 24) (G2 & G3 Grinders)
24	11062.0000	1	Decal, Fresh Ground Coffee
25	20204.1100	2	Spring, Dechaffer

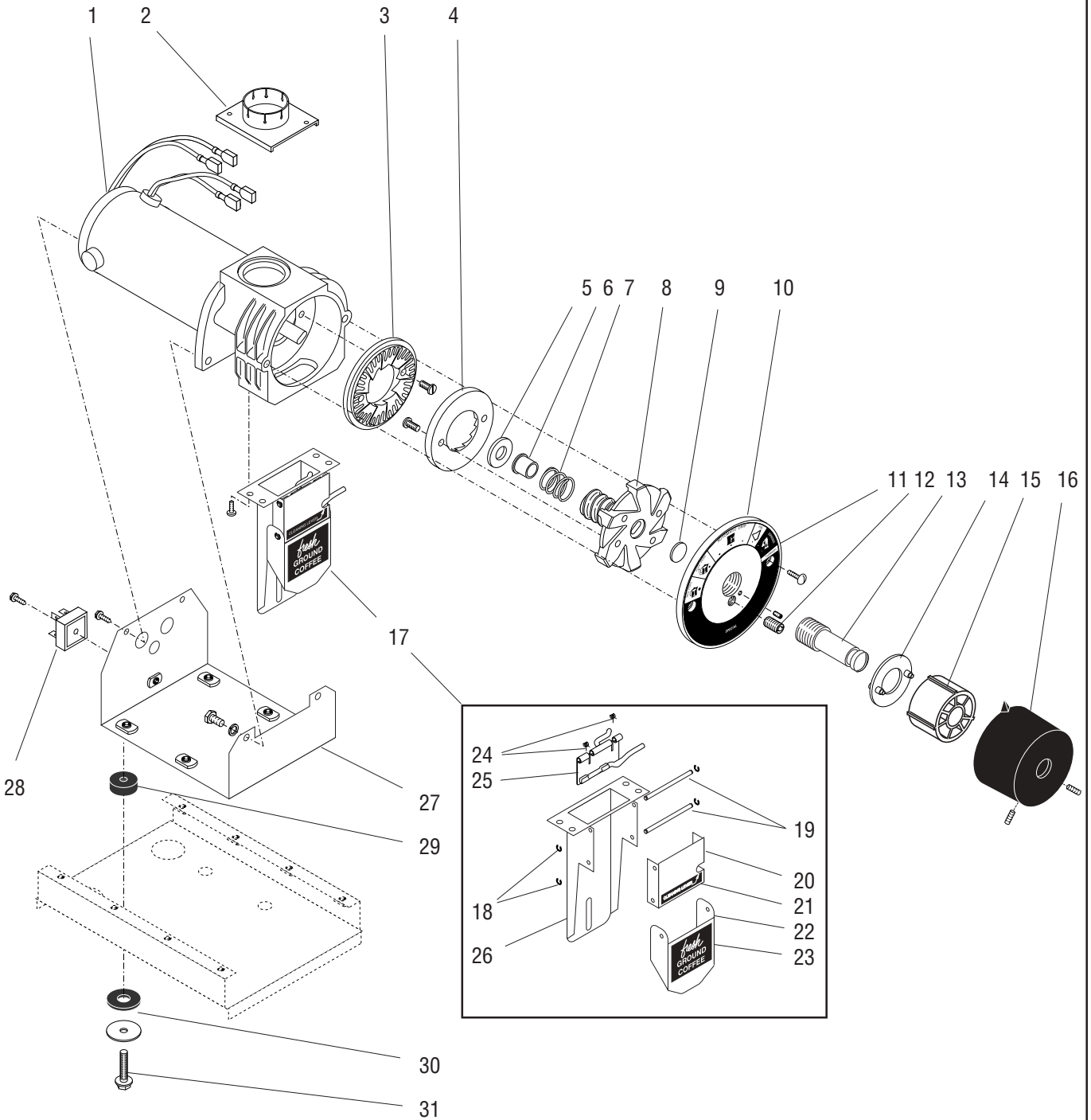
(Continued)

(Continued)



AC MOTOR, BURR HOUSING AND MOUNTING BRACKET

ITEM	PART NO.	QTY.	DESCRIPTION
26	20204.1200	1	Dechaffer
27	28981.0000	1	Chute, 5.75" LG (G1 Grinders)
	28981.0001	1	Chute, 7.00" LG (G2 & G3 Ginders)
	02330.0001	4	Screw, Slotted Hex Head #10-24 x .375"
28	11176.0004	1	Pin, Pivot-Lower 2.44" long
29	00951.0000	4	Nut, Cage .250"-20
30	05881.0000	4	Bushing
31	05882.0000	4	Washer, 1.50" Dia
32	02326.0000	4	Screw, Hex Head .250"-20 x 1.25"
	01539.0000	4	Washer, Flat 1.50" Dia
33	05861.1002	1	Burr Kit (Includes items 7, 8 and mounting screws)
	11285.0000	1	Burr Kit, Turkish Grind (Includes items 7, 8 and mounting screws)

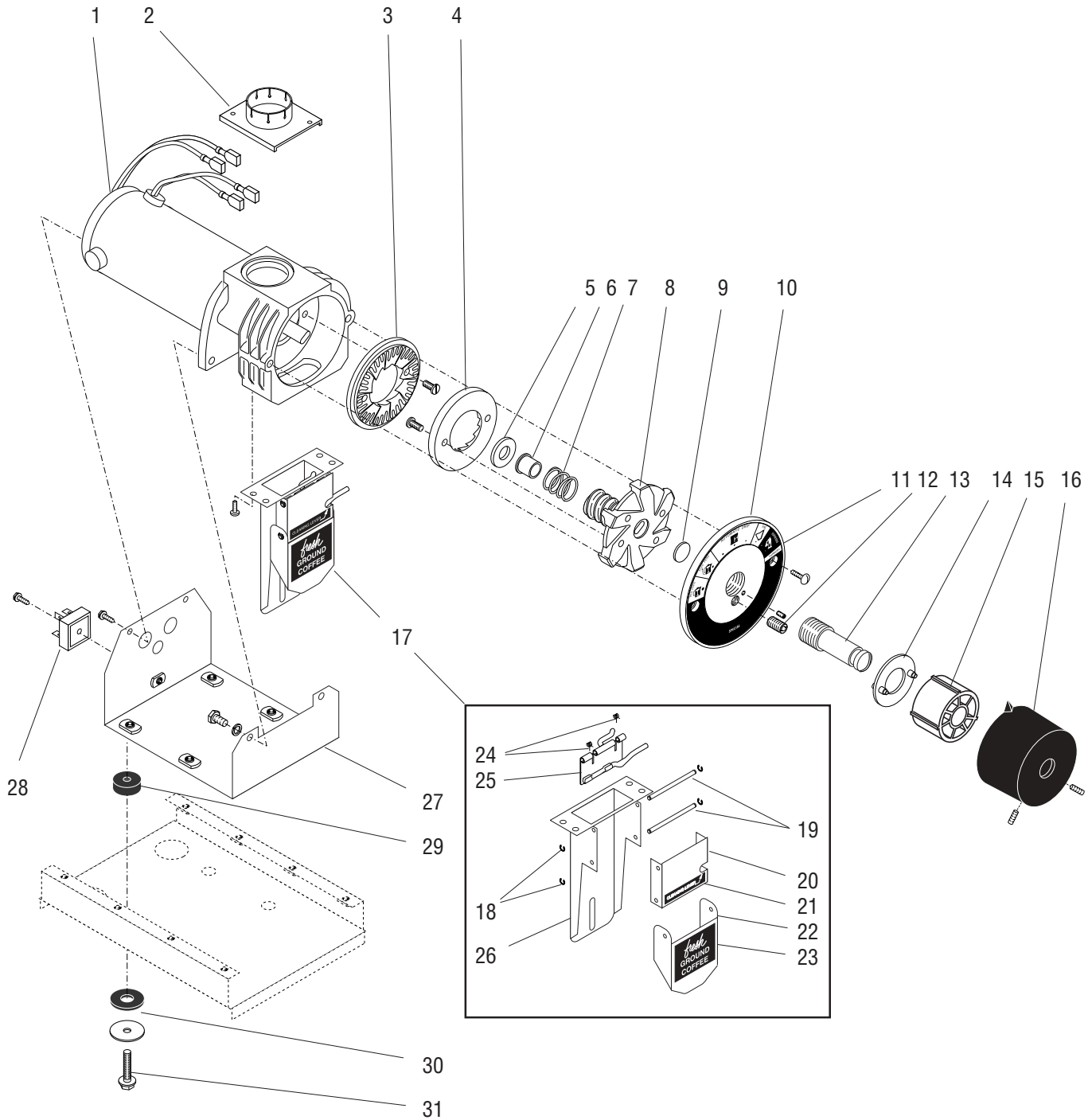


DC MOTOR, BURR HOUSING AND MOUNTING BRACKET - G1 GRINDERS ONLY

ITEM	PART NO.	QTY.	DESCRIPTION
-	26735.1000	1	Motor & Grind Assy 120V DC (Includes items 1 thru 16 & 27)
1	26732.0000	1	Motor, Burr Housing & Mounting Bracket 120V DC (Includes items 2 & 6)
	01330.0000	2	Screw, Slotted Hex Head #10-32 x .375"
	02326.0002	2	Capscrew, Hex Head .25" x .50"
	01538.0000	2	Lockwasher, Split .25"
2	11089.0000	1	Collar, Hopper
3	-----	1	Burr (Not available. Order item 32)
	02314.0000	2	Screw, Pan Head .25"-20 x .50"
4	-----	1	Burr (Not available. Order item 32)
	20669.0000	2	Screw, BDG Head #10-32 x .29"
5	26768.0000	1	Washer, 1.125" O.D. x .531" I.D.
6	26769.0000	1	Bushing, Spring Retaining
7	26770.0000	1	Spring, Burr Rotor
8	25916.0001	1	Burr Auger Rotor/Spring Assy (Includes items 5, 6 & 7)
9	20670.0000	1	Disc, Burr Rotor
10	23179.0000	1	Plate, Grind Selector Dial (Includes item 11)
	11064.0000	2	Screw, Fillister Head .250"-20 x .75"
	21612.0000	1	Set screw
11	11075.0005	1	Decal, Grind Select
12	11086.0000	1	Dentent, Spring Plunger
13	21588.0000	1	Screw, Adjusting
14	11067.0000	1	Plate, Dentent
15	21591.0000	1	Insert, Knob
16	22294.0000	1	Knob, Grind Selector (Includes set screws indented below)
	21611.0000	2	Set Screw, .25"-20 x .75"
17	29085.1002	1	Chute/Dechaffer Assy (G/MD) (Includes items 18 thru 26)
18	11177.0000	4	Ring, Retaining
19	11176.0004	2	Pin, Pivot
20	28980.0000	1	Cover, Chute - Upper (Also order item 21)
21	20204.1500	1	Decal, Cleaning Lever
22	28979.0000	1	Cover, Chute - Lower (For 5.75" LG Chute)
23	11062.0000	1	Decal, Fresh Ground Coffee
24	20204.1100	2	Spring, Dechaffer
25	22333.0000	1	Dechaffer
26	28981.0000	1	Chute, 5.75" LG
	02330.0001	4	Screw, Slotted Hex Head #10-24 x .375"

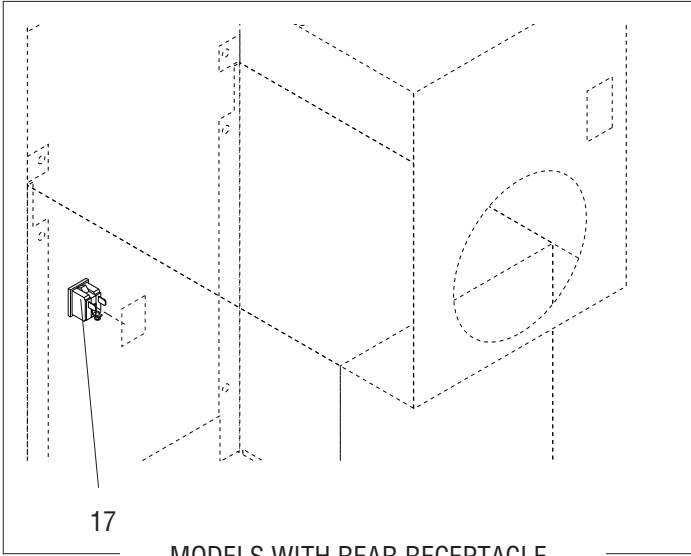
(Continued)

(Continued)

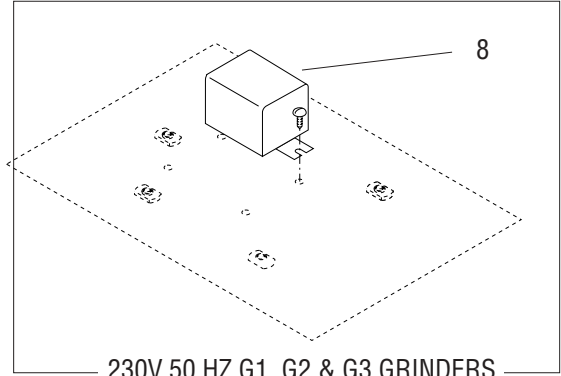


DC MOTOR, BURR HOUSING AND MOUNTING BRACKET

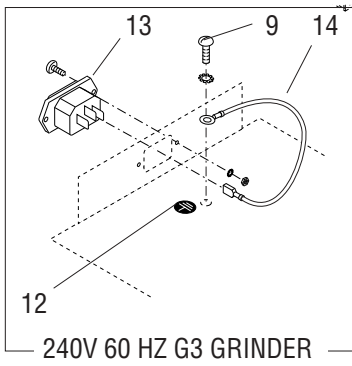
ITEM	PART NO.	QTY.	DESCRIPTION
27	26386.0000	1	Bracket, Motor Mounting
28	22126.0000	1	Rectifier
	01331.0003	1	Screw, Round Head #10-32 x .75"
29	05881.0000	4	Bushing
30	05882.0000	4	Washer, 1.50" Dia
31	02312.0000	4	Screw, Hex Head .312"-18 x 1.25"
	01539.0000	4	Washer, Flat 1.50" Dia
32	05861.1002	1	Kit, Burr (Includes items 3,4 and mounting screws)



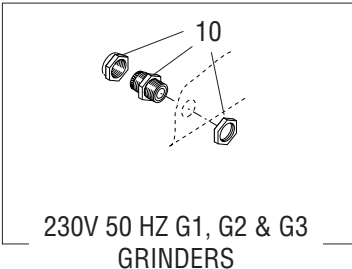
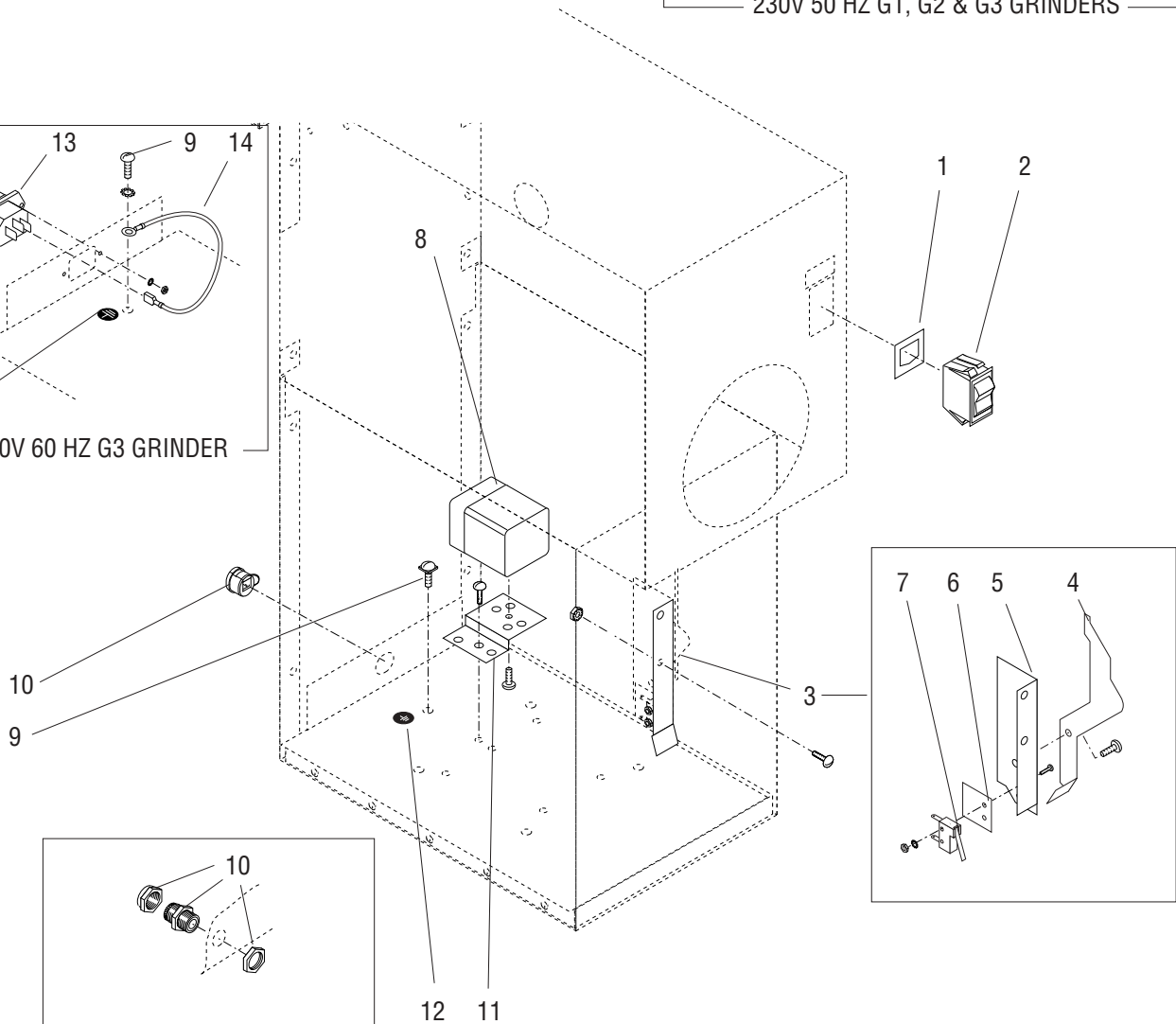
MODELS WITH REAR RECEPTACLE



230V 50 HZ G1, G2 & G3 GRINDERS



240V 60 HZ G3 GRINDER



230V 50 HZ G1, G2 & G3
GRINDERS

ELECTRICAL AND OPERATING CONTROLS

ITEM	PART NO.	QTY.	DESCRIPTION
1	11110.0000	1	Shield, Switch Insulator
2	11074.0000	1	Switch, OFF/ON/START
3	11257.0003	1	Bag Sensor Assy (Includes items 4 thru 7)
	01315.0000	2	Screw, Truss Head #8-32 x .375"
	00970.0000	2	Nut, Keps #8-32
4	-----	1	Pivot Arm, Bag Sensor (Not Available. Order item 3)
	02357.0001	1	Screw, Truss Head - Shoulder #6-32
5	20204.2001	1	Bracket, Pivot Arm
6	11077.0000	1	Insulator, Bag Sensor Switch
7	11087.0000	1	Switch, Bag Sensor
	02356.0000	2	Switch, Pan Head #2-56 x .50"
	01506.0000	2	Lockwasher, External Tooth #2
	00998.0000	2	Nut, Hex #2-56
8	11111.0000	1	Relay, 120V AC & DC (Includes item 11)
	11111.0002	1	Relay, 240V (Includes item 11) (240V 60 HZ G3 Grinders)
	28034.0000	1	Relay, 240V (240V 50 HZ G1, G2 & G3 Grinders)
	01347.0000	1	Screw, Truss Head - Serrated #6-32 x .375" (120V Relay & 240V 60 HZ G3 Grinders)
	01382.0002	2	Screw, Truss Head - BLK #6-32 x .375" (230V 50 HZ G1, G2 & G3 Grinders)
9	01309.0000	1	Screw, Pan Head W/Terminal Washer #10-32 x .50" (120V Models)
	01375.0000	1	Screw, Pan Head - Brass #10-32 x .50" (230V & 240V Models)
	01512.0000	1	Lockwasher, External Tooth #10 (230 & 240V Models)
10	00707.0000	1	Bushing, Strain Relief (120V Models)
	05746.0000	1	Bushing, Strain Relief (230V Models)
11	07441.0000	1	Bracket, Relay Mounting (120V Relay & 240V 60 HZ G3 Grinders)
	01382.0002	2	Screw, Truss Head - BLK #6-32 x .375"
12	00824.0000	1	Decal, Ground (230V & 240V Models Only)
13	01908.0000	1	Power Connector (240V 60HZ G3 Grinders)
	01362.0000	2	Screw, Oval Head #4-40 x .50"
	01509.0000	2	Lockwasher, External Tooth #4
	00937.0000	2	Nut, Hex #4-40
14	21016.0013	1	Lead, Electrical 16AWG GRN/YEL 4.00" LG (240V 60 HZ G3 Grinders)
15	01712.0000	1	Cord, Power - 120V (Not Illustrated)
	27728.0001	1	Cord, Power - 230V (Not Illustrated) (G2 & G3 Grinders) (Not used on 240V 60 HZ G3 Grinders)
16	11113.0000	1	Wiring Harness, Main 120V AC (Not Illustrated)
	22156.0000	1	Wiring Harness, Main 120V DC (Not Illustrated)
	11113.0001	1	Wiring Harness, Main 230V AC (Not Illustrated)
	11187.0000	1	Wiring Harness, Main 240V AC (Not Illustrated) (240V 60 HZ G3 Grinders)
17	03628.0000	1	Receptacle, Grounded (5-15R)

NUMERICAL INDEX

PART NO.	PAGE NO.	PART NO.	PAGE NO.	PART NO.	PAGE NO.	PART NO.	PAGE NO.
00622.0000	11	11031.0003	9	21261.0000	9	28979.0001	11
00707.0000	19	11062.0000	11,15	21588.0000	15	28980.0000	11,15
00824.0000	19	11064.0000	11,15	21591.0000	15	28981.0000	13,15
00912.0000	5	11065.0000	11	21611.0000	15	28981.0001	13
00937.0000	19	11066.0000	11	21612.0000	15	29011.0000	7
00951.0000	13	11067.0000	11,15	21857.0000	5	29012.0000	9
00970.0000	19	11068.0000	11	22025.0000	5	29012.0001	9
00998.0000	19	11072.0000	11	22025.0001	5	29085.1000	11
01309.0000	19	11074.0000	19	22025.0002	5	29085.1001	11
01310.0000	9	11075.0000	11	22025.0003	5	29085.1002	15
01311.0003	9	11075.0004	11	22025.0008	5	29129.0000	9
01315.0000	19	11075.0005	15	22025.0009	5	29129.0001	9
01330.0000	5,15	11076.0000	9	22026.0000	5	29129.0002	9
01331.0003	17	11077.0000	19	22026.0001	5		
01335.0000	9	11079.0000	9	22032.0000	5		
01347.0000	19	11081.0000	11	22032.0001	5		
01362.0000	19	11086.0000	11,15	22032.0004	5		
01375.0000	19	11087.0000	19	22032.0005	5		
01382.0002	19	11089.0000	11,15	22085.1000	5		
01388.0002	9	11090.0004	11	22085.1001	5		
01506.0000	19	11090.0005	11	22085.1002	5		
01509.0000	19	11090.0006	11	22085.1003	5		
01512.0000	19	11098.0000	5	22085.1005	5		
01538.0000	15	11110.0000	19	22085.1006	5		
01539.0000	13,17	11111.0000	19	22085.1007	5		
01592.0001	7	11111.0002	19	22111.1000	5		
01712.0000	19	11113.0000	19	22111.1001	5		
01908.0000	19	11113.0001	19	22126.0000	17		
02309.0000	11	11116.0000	9	22156.0000	19		
02312.0000	17	11119.0000	9	22282.1000	5		
02313.0000	11	11174.0000	5	22282.1001	5		
02314.0000	11,15	11176.0004	13	22294.0000	15		
02322.0002	5	11177.0000	11,15	22333.0000	15		
02326.0000	13	11180.0000	11	22462.1000	9		
02326.0002	15	11185.0001	11	23163.0000	5		
02330.0001	13,15	11187.0000	19	23164.0000	5		
02356.0000	19	11191.0001	11	23179.0000	15		
02357.0001	19	11192.0000	11	23744.0000	5		
02359.0000	7	11256.0001	9	24342.1000	5		
02360.0000	7	11257.0003	19	24342.1001	5		
02363.0000	7	11274.0001	5	25152.0000	5		
02547.0000	7	11275.0001	7	25153.0000	5		
03628.0000	19	11282.0001	7	25916.0001	15		
05746.0000	19	11285.0000	13	26386.0000	17		
05787.0000	7	20208.0100	9	26732.0000	15		
05852.0001	11	20204.1100	11,15	26735.1000	15		
05861.1002	13,17	20204.1200	11	26768.0000	15		
05870.0000	11	20204.1500	11,15	26769.0000	15		
05881.0000	13,17	20204.2001	19	26770.0000	15		
05882.0000	13,17	20226.0000	9	27019.0000	9		
07441.0000	19	20545.0000	5	27728.0001	19		
10113.0000	5	20621.0000	9	28001.0000	9		
10190.0000	5	20669.0000	15	28002.0000	9		
10621.0000	5	20670.0000	15	28034.0000	19		
11031.0002	9	21016.0013	19	28979.0000	11,15		