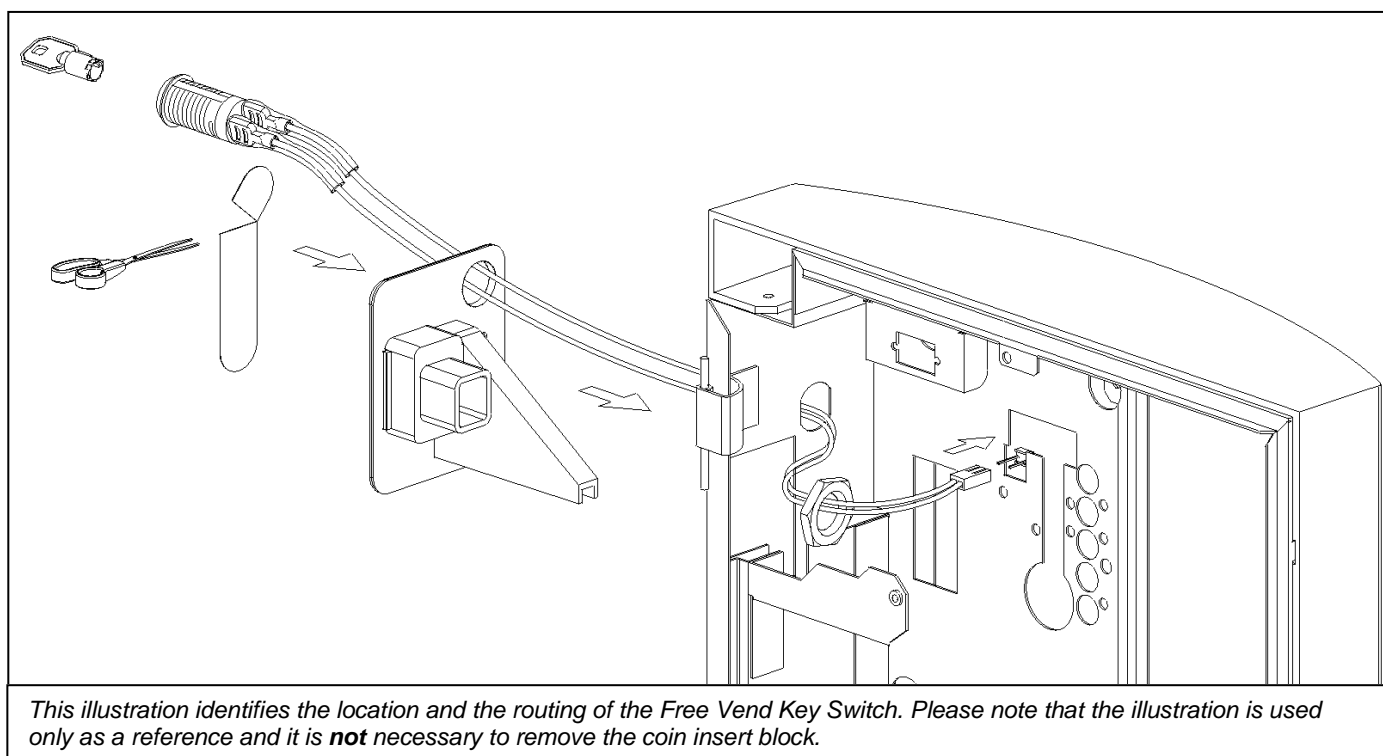


VISTA 2 / VISTA 3 FREE VEND KEY SWITCH (A110219) INSTALLATION INSTALLATION D'UN INTERRUPTEUR À CLÉ GRATUIT/PAYANT (A110219) SUR VISTA 2 / VISTA 3

The Free Vend Key Switch option provides full external control of the equipment's **FREE/COIN** function, by the use of a key. This kit places a key operated switch onto the exterior of the machine, allowing a coin operated coffee maker to be switched into "FREE" mode with the turn of a key (without having to open the front door). When the key is removed, the machine will revert back to "COIN" mode.

INSTALLATION ON A VISTA 3

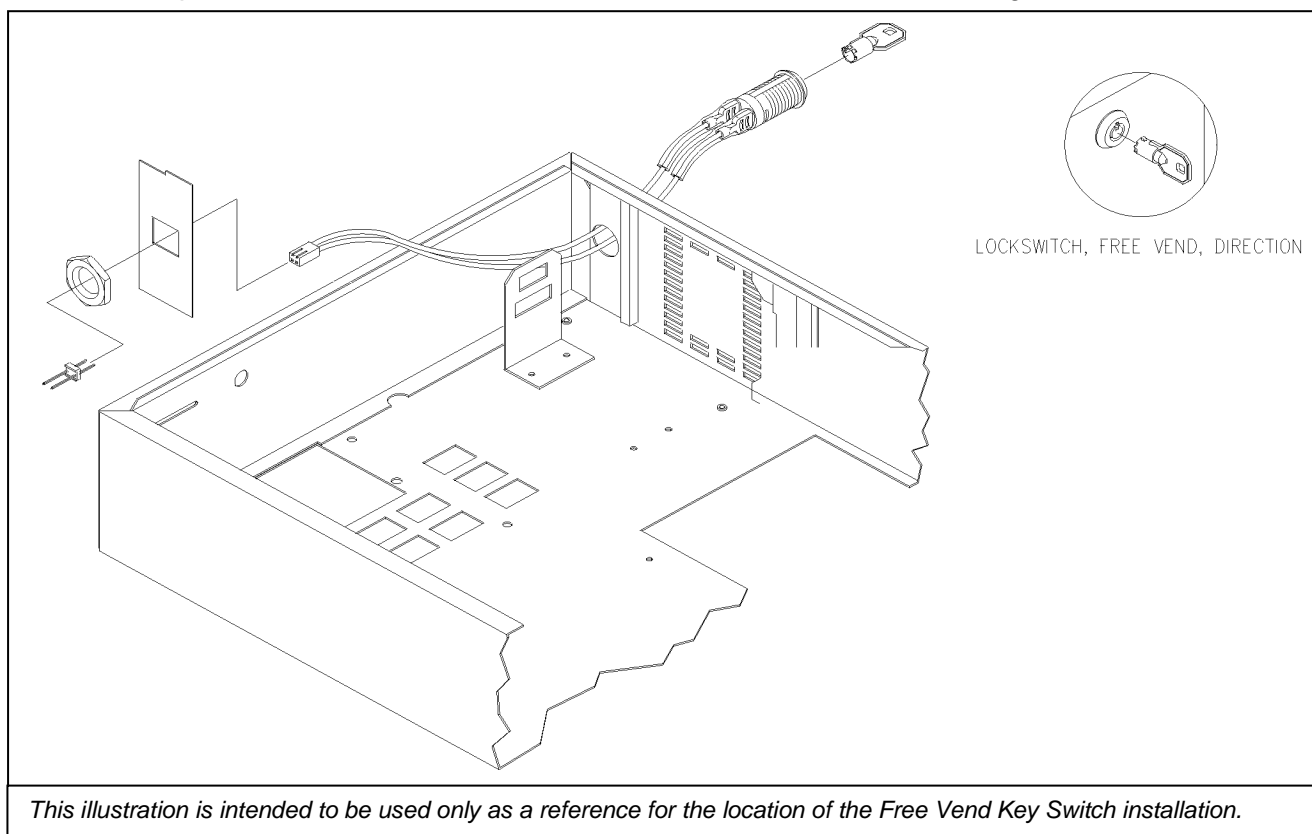
1. The Free Vend Key Switch is installed at the upper left of the coin insert block (right side of the front door). It is covered by a black decal.
2. Peel the upper portion of the decal about halfway down.
3. Cut approximately one inch off the top of the decal.
4. Re-install the remaining part of the decal.
5. Using a flat screwdriver, punch out the pre-cut plastic knock-out at the upper left of the coin insert block.
6. Pass the free vend key switch through the cutout (wiring first).
7. Secure the key switch in place with the large hex nut (supplied).
8. Open the inner door and connect the free vend key switch wiring to the two pin connector at the rear of the front board.
9. Configure the software in the machine to either "MOMENTARY" or "TOGGLE" mode. Refer to the Vista NT Operation & Service Manual for more information about this setting.



VISTA 2 / VISTA 3 FREE VEND KEY SWITCH (A110219) INSTALLATION INSTALLATION D'UN INTERRUPTEUR À CLÉ GRATUIT/PAYANT (A110219) SUR VISTA 2 / VISTA 3

INSTALLATION ON A VISTA 2-NT

1. The Free Vend Key Switch is installed on the left side of the front door, just above the exhaust fan.
2. Using the rectangular metal plate (supplied) as a template, place it on the top of the left side of the front door (on the outside) and mark the door using the center of the cutout on the plate as a reference. It is recommended that you use a center punch on the mark to simplify the drilling procedure.
3. Drill a hole at the mark using a 1/8" drill bit, then enlarge it by using a 3/8" drill bit.
4. Screw a 3/4" Greenlee punch into the hole, with the cutting side on the inside of the cabinet.
5. Using a wrench, tighten the two pieces together until the blade cuts completely through the sheetmetal.
6. Once done, remove the Greenlee punch.
7. Place the rectangular metal plate on the inside of the door (at the cutout that was just made) and pass the free vend key switch through the cutout (wiring first) and the plate, making certain that the notch for the key is in the upward position.
8. Secure the key switch in place with the large hex nut (supplied).
9. Open the inner door and remove the coin changer junction box from the rear of the front board.
10. Connect the Free Vend Key switch wiring to the two pin connector at the rear of the front board.
11. Re-install the junction box and close the inner door.
12. Configure the software in the machine to either "**MOMENTARY**" or "**TOGGLE**" mode. Refer to the Vista NT Operation & Service Manual for more information about this setting.



INGREDIENT DISPENSER BASE SUPPORT INSTALLATION (A210166)

Contents of Kit: Stainless Steel Support Rod
 Support Rod Clip
 Wing Nut
 Plastic End Cap

Tools Required: Philips Screwdriver
 Flat Blade Screwdriver (short handle)

Procedure:

1. Remove the existing ingredient dispenser base support rod or fastener.
2. Place the bent end of the new support rod into the bracket on the ceiling of the machine cabinet, with the "hook" going towards the left (*Figure A*).
 - a) If the new rod does not fit (as will be the case with some very early Vista 2 models),**
 - i) Remove the filter paper bracket or chocolate base (whichever applies).*
 - ii) Remove the ingredient dispenser.*
 - iii) Using a flat blade screwdriver, force the support rod bracket open until the support rod fits into it.*
 - iv) Re-install the ingredient dispenser.*
 - v) Re-install the filter paper bracket or chocolate base (whichever applies).*
3. Slide the support rod clip over the threaded end of the rod.
4. Install the wing nut onto the threaded end of the rod, and turn it two or three times to secure the rod clip in place (*Figure B*).
5. With the support rod installed into the bracket on the ceiling of the machine, slide the support rod clip firmly onto the bottom edge on the front of the ingredient dispenser (*Figure C*).
6. Adjust the position of the support rod clip (side to side) so that it does not interfere with the chocolate base (if applicable).
7. Tighten the wing nut so that the ingredient dispenser is firmly secured in place.
8. Install the plastic cap over the threaded end of the support rod.

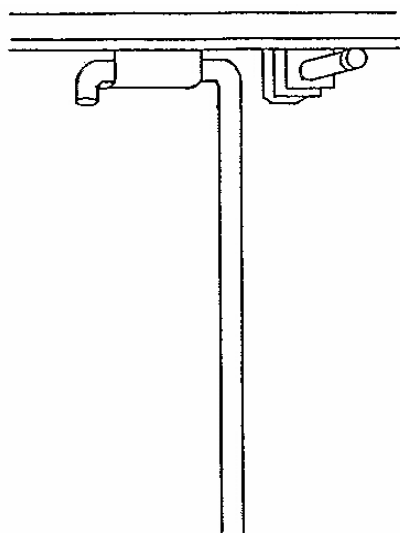


Figure A

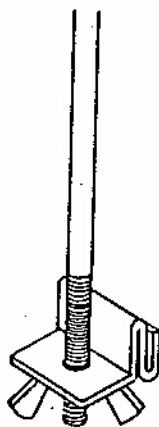


Figure B

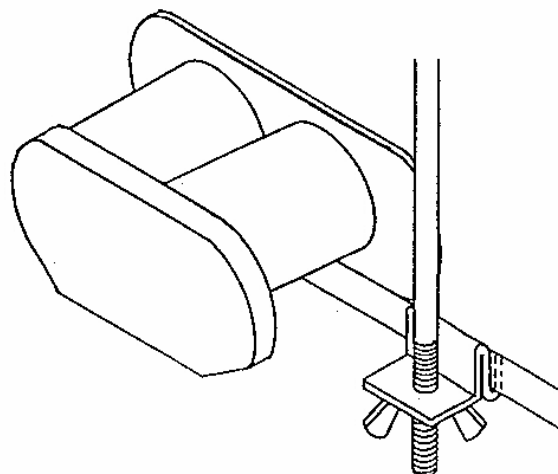


Figure C

VISTA 2 REAR EXHAUST FAN RETROFIT KIT (A310265) INSTALLATION

Parts shipped with this kit:	1 - Exhaust Fan
	1 - Fan Bracket
	1 - Fan Grill
	4 - 10-32 Screws
	1 - Wiring Harness Extension
	1 - Dual .250 Terminal

A template for drilling the cutout is available upon request. Please contact VKI Technical Services for assistance.

1. Facing the back of the Vista 2, place the template on the top left corner of the back panel and mark the area that needs to be cut out. Make sure that you also mark the locations for the screw holes, then remove the template.
2. Drill out the screw holes.
3. To cut out a hole for the fan, you can either use a hole saw (which is used with a drill), or a jig saw. With a hole saw, line up the circular blade with the cutout marking you just made and drill out the complete area.

With a jig saw, you must first drill a hole on the marked line. Then insert the jig saw blade in this hole and cut along the marked line until the complete inner area is cut and can be removed.

4. For your personal safety, once the area is cut out you may want to de-burr the sheet metal using a file or sandpaper. This will eliminate any sharp or jagged edges.
5. Connect the wiring harness extension to the fan wiring.
6. With the "airflow" arrow printed on the fan pointing outwards, install the fan grill onto the outside of the fan and slide the fan into the fan bracket.
7. Pass the wiring harness through the cutout that was just made in the sheet metal.
8. Secure the fan to the rear of the coffee maker using the screws provided. At this point, the mounting of the fan itself is complete.
9. Connect the wire with the ring terminal on the end, to the right terminal of the thermostat.
10. Using a dual terminal (provided), connect the blue wire to a return on one of the valves. Please note that the dual terminal plugs into the valve return tab, and the valve return wire and fan return wire are then connected to the dual terminal.

The installation is now complete. Please note that the rear exhaust fan will run continuously (all the time). This will help eliminate heat and condensation buildup inside the coffee maker, prolonging product freshness.

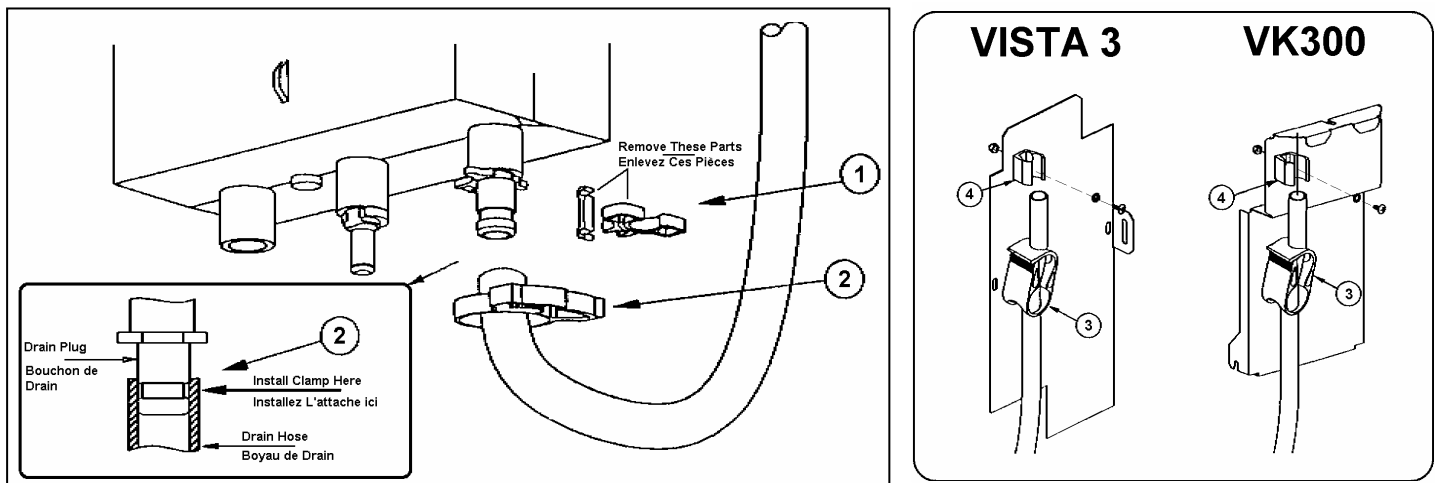


DRAIN HOSE KIT INSTALLATION INSTRUCTIONS – VISTA 3 & VK300

1. Remove the existing bottom clip and drain lock retainer from the water tank drain plug. **Do not remove the top clip that locks the plug in place.**
2. Install the supplied drain hose onto the drain plug, and secure it in place with the plastic clamp.
3. Install the plastic hose clamp about 2" from the end of the hose.
4. Install the clip that secures the hose onto the valve cover.
 - a) On newer valve covers, there is a threaded clinch nut on the top left corner onto which the clip is secured.
 - b) On older valve covers, a hole will have to be drilled on the top left corner and the clip will be secured using a screw and hex nut.
5. Place the end of the hose into the clip installed on the valve cover.

To drain the water tank, remove the top clip from the drain plug and push the plug upwards. Place the end of the hose into a leak-proof container, then open the hose clamp to allow the tank to drain.

CAUTION: THE WATER COMING OUT OF THE HOSE MAY BE EXTREMELY HOT!



INSTRUCTIONS D'INSTALLATION - KIT BOYAU DRAIN POUR VISTA 3 & VK300

1. Enlevez l'étrier de drain et le lien qui sont déjà en place, tel qu'illustré. **Ne pas enlever l'étrier du haut qui verrouille le bouchon en place.**
2. Glissez le nouveau boyau de drain sur le bouchon de drain. Fixez-le en place à l'aide de l'attache en plastique.
3. Posez le collier de serrage en plastique sur le boyau, à une distance d'environ 5 cm de l'extrémité du boyau.
4. Fixez la pince de retenue du boyau au couvercle de la valve.
 - a) Sur les couvercles de valve récents, il y a un écrou dans le coin supérieur gauche sur lequel l'attache va être fixée.
 - b) Sur les anciens couvercles de valve, un trou devra être percé dans le coin supérieur gauche et l'attache sera fixée à l'aide d'un boulon et d'un écrou.
5. Placez le bout du tuyau sur l'attache installée sur le couvercle de valve.

Pour vider le réservoir à eau, enlevez la serrure de drain et poussez le bouchon vers le haut. Placez l'extrémité du boyau dans un contenant étanche et desserrez le collier de serrage afin que l'eau s'écoule du réservoir.

MISE EN GARDE: L'EAU SORTANT DU BOYAU PEUT ETRE TRES CHAUDE.