



COIN CHANGER SYSTEM

Installation and Operation

PLEASE NOTE THAT AN APP UPGRADE KIT (A410271) MUST BE INSTALLED ON ALL PRE-2001 MODELS AT THE SAME TIME THE CHANGER UNIT IS BEING INSTALLED.

PRIOR TO INSTALLING THE CHANGER UNIT, PRINT THE SERIAL NUMBER OF THE PICCOLINA ONTO THE SUPPLIED DECAL. PLACE THE DECAL ON THE RIGHT REAR CORNER ON THE TOP OF THE PICCOLINA.

IMPORTANT: This system uses MDB technology and only operates with the Coinco 9302 CGX (Canada) or 9302 GX (U.S.) model coin changers. Using any other model of coin changer will damage both the changer unit and the Piccolina electronics.

Software Version 3.0



PICCOLINA COIN CHANGER INSTALLATION AND OPERATING INSTRUCTIONS

SECURE THE CHANGER UNIT ONTO THE RIGHT SIDE OF THE MACHINE

PROCEDURE FOR PRE -2001 MODELS ONLY

1. Using scissors, cut the dotted lines on the **top** of the paper template (provided).
2. Fold the bottom and side areas of the template (areas are labeled on the template for easy identification).
3. Align the template with the lower hole on the right side wall of the Piccolina, and with the bottom and the rear of the machine (*figure 1*).
4. Use a strip of tape at the top of the template to secure it in place.
5. Mark the center of the holes to be drilled with a center punch (*figure 2*).
6. Drill the holes with a 3/16" drill bit.

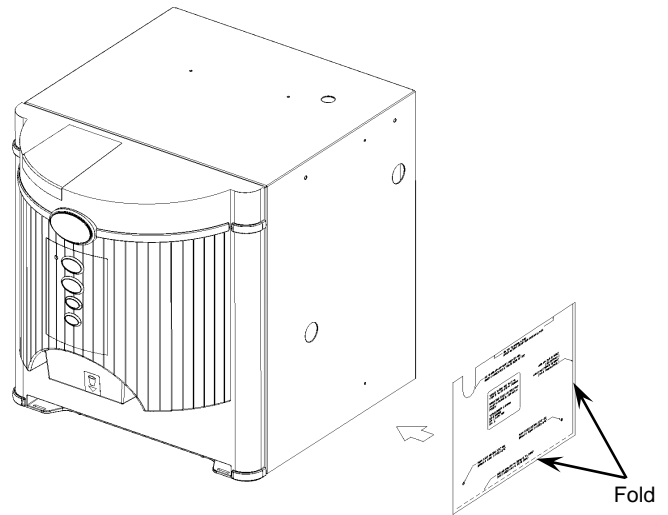


Figure 1 – Cut, fold and align the template.

PROCEDURE FOR ALL MODELS

7. Insert two 8-32 screws (provided) into the clinch nuts on the top right side of the machine. **Do not tighten these screws yet.**
8. Install the shorter gasket onto the inside top of the changer unit.
9. Install the longer gasket onto the inside front of the changer unit.
10. Mount the Changer unit onto the two top screws on the side of the machine (*figure 3*).
11. Secure the bottom of the Changer Unit to the Piccolina using the two screws and hex nuts provided. Install the screws from the inside of the Changer unit into the holes on the wall of the Piccolina.
12. Making certain the Changer Unit is properly aligned on the side of the Piccolina, tighten all four screws using a short Phillips screwdriver.

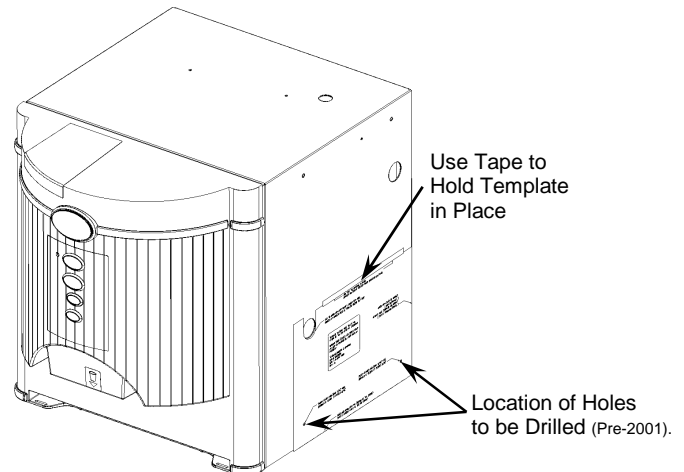


Figure 2 – Tape the template in place, then mark & drill the holes.

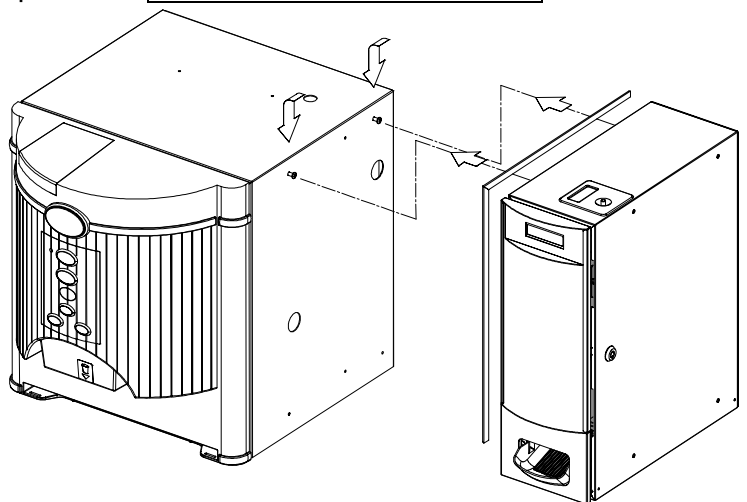
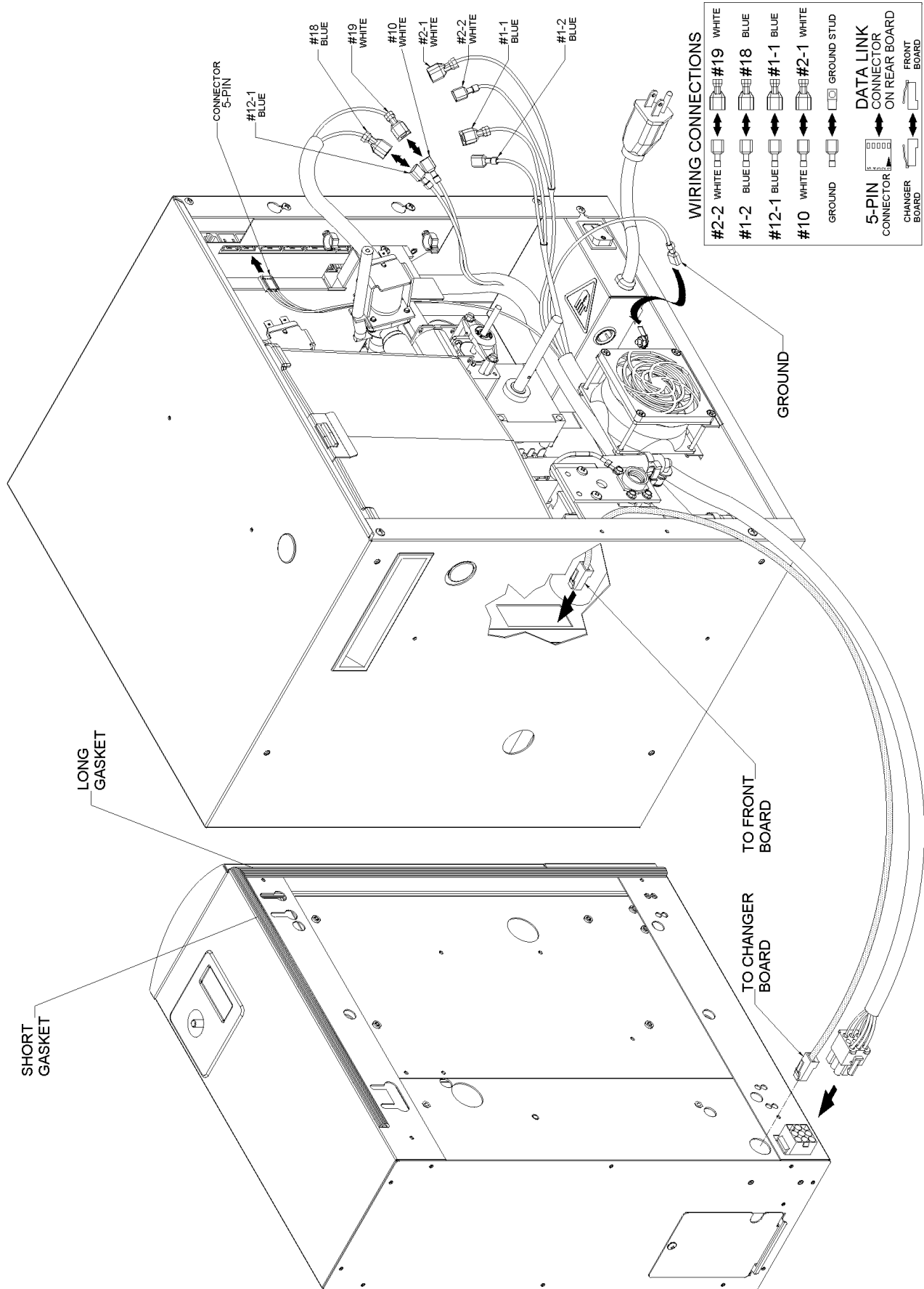


Figure 3 – Mount the Changer to the side of the machine, and tighten the screws.

PICCOLINA COIN CHANGER INSTALLATION AND OPERATING INSTRUCTIONS

ELECTRICAL CONNECTIONS



Piccolina Changer Unit Wiring (Piccolina and Changer Unit are shown separated in this illustration for reference purposes).

PICCOLINA COIN CHANGER INSTALLATION AND OPERATING INSTRUCTIONS

INSTALLING THE COIN CHANGER

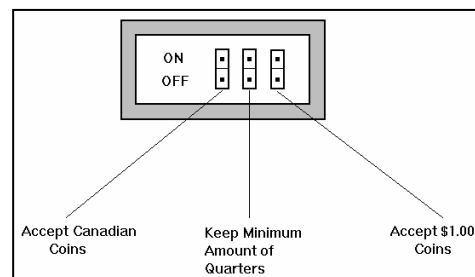
IMPORTANT: This system uses MDB technology and only operates with the Coinco 9302 CGX (Canada) or 9302 GX (U.S.) model coin changers. Using any other model of coin changer will damage both the changer unit and the Piccolina electronics.

Once the changer unit has been installed onto the Piccolina, install the coin changer into the changer unit. *Use the diagram on the next page as a quick reference.*

1. **Unlock the changer unit and pull the sliding wall towards you.**
2. **Rotate the latch on the inside of the changer unit.**
3. **Turn the front portion of the sliding wall towards the left.**
4. **Loosen the three changer mounting screws on the sliding wall.**
 - a) Using a Phillips screwdriver, loosen (but do not remove) the three mounting screws.
5. **Remove the 'Acceptor' unit from the coin changer.**
 - a) Lift the two locking tabs on top of the coin changer.
 - b) Pull the acceptor towards you. It will pivot, with the base portion remaining in place.
 - c) Disconnect the ribbon cable and remove the acceptor.

6. **Set the changer to accept and reject certain currencies and denominations of coins.**

- a) Locate the DIP switches on the inside of the coin changer and adjust them accordingly. Consult the diagram below for the function of each switch.



7. **Slide the 'key-hole' slots of the changer onto the mounting screws.**
 - a) Having removed the acceptor, you will see three 'key-hole' slots on the rear wall of the changer. Align these slots with the three mounting screws on the sliding wall.
 - b) Slide the changer down until the three screws line up with the narrow part of the 'key-hole' slots.
 - c) Tighten the three screws enough to secure the changer. Do not over-tighten.
8. **Partially fill the payout tubes with an appropriate amount of coins.**
9. **Reconnect the ribbon cable and re-install the 'Acceptor' unit.**
10. **Plug the changer into the receptacle on the rear of the sliding wall.**

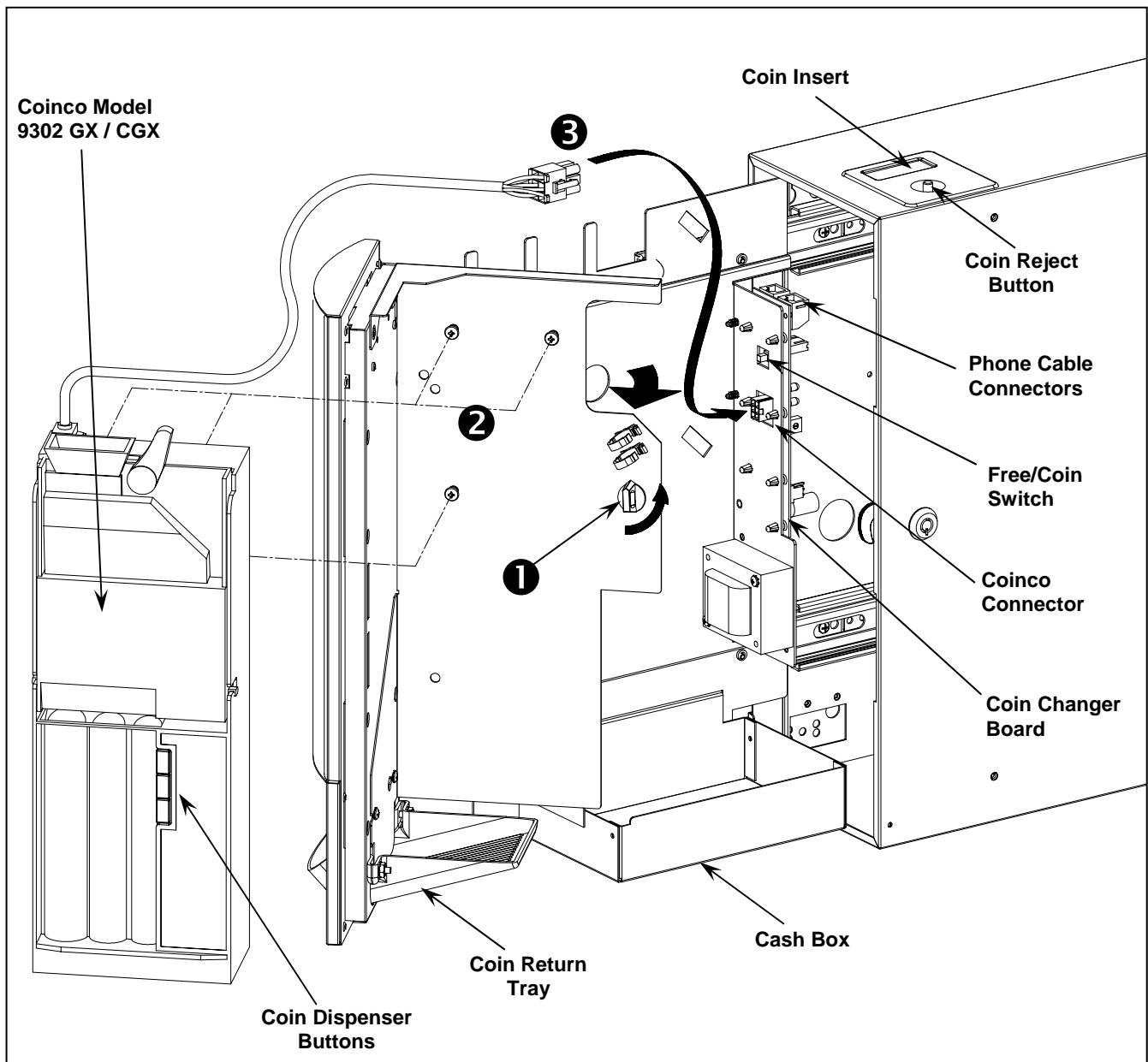
➤ **Note:**

The machine power MUST be switched OFF when connection or disconnecting the coin changer. Failure to do so will damage the coin changer and the electronics in the machine.

11. **Secure the changer wiring inside the clips of the sliding wall.**
12. **Push the sliding wall back into position and lock it.**

PICCOLINA COIN CHANGER INSTALLATION AND OPERATING INSTRUCTIONS

CHANGER INSTALLATION REFERENCE AND COMPONENT IDENTIFICATION



- 1** Rotate the latch on the inside of the changer unit and swing the front portion of the sliding wall towards the left.
- 2** Loosen the three changer mounting screws on the sliding wall, mount the changer to these screws, then tighten to secure the changer in place.
- 3** Plug the changer into the connector on the rear of the sliding wall.

PICCOLINA COIN CHANGER INSTALLATION AND OPERATING INSTRUCTIONS

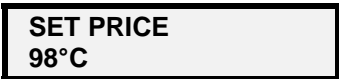
USING THE COIN CHANGER FEATURES IN THE PICCOLINA SOFTWARE

Five new menus have been added to the Piccolina software. Four menus (Cashbox Total, Free Vend Total, Set Free/Coin, and Set Price) pertain to the Piccolina Coin Changer unit. The other (Set Language) was added to display messages on the LCD (on the changer unit) in the language of your choice. The table below identifies these new menus, and each is described in the text boxes to the right of the table.

SET-UP MODE SEQUENCE (New Menus in Bold Text & Shaded)	
SET WATER	
SET PRODUCT	
SET TOP PAUSE	
SET BOTTOM PAUSE	
SET TEMPERATURE	
SET DELAY PAUSE	
VEND TOTAL	
RINSE CYCLE	
SET APP FLAVOUR	
COPY SET-UP	
SET PRICE	<i>Set Price - Allows you to set the pricing for every beverage offered by the equipment.</i>
SET FREE/COIN	
SET LANGUAGE	<i>Set Free/Coin - Sets the equipment to "COIN" or "FREE VEND" mode.</i>
CASHBOX TOTAL	<i>Set Language - Allows you to set the language in which the messages appear on the Coin Unit LCD.</i>
FREE VEND TOTAL	<i>Cashbox Total - Displays the total amount of money that has accumulated inside the cashbox. This total does not include the money stored in the coin changer tubes.</i>
	<i>Free Vend Total - Displays the total number of beverages that were dispensed free of charge.</i>

SET PRICE

- To set the pricing, press the "UP" button on the handheld programmer and scroll until the following message appears,



- To enter the "SET PRICE" menu, press the "COFFEE" button on the Piccolina selection panel.
- Using the Piccolina selection panel, select the product for which the price needs to be adjusted.
 - A price can be set for the following products,

Cof
CofLar
Cof Str
CofLarStr
Pac
AppPro
AppProLar
AppMix
AppMixLar

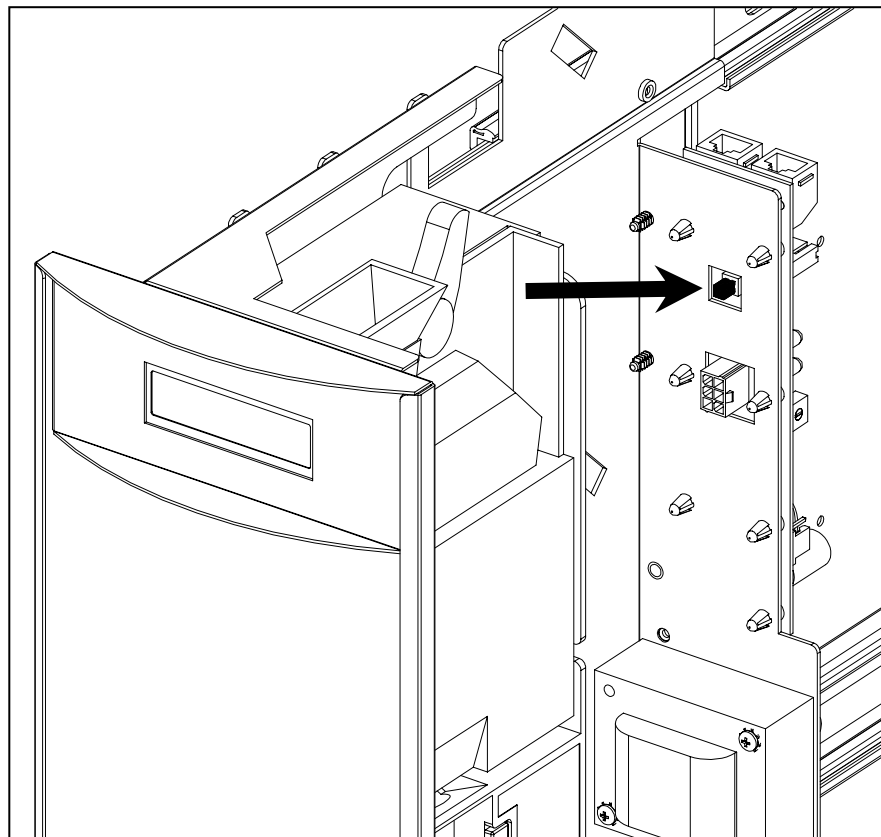
PICCOLINA COIN CHANGER INSTALLATION AND OPERATING INSTRUCTIONS

- b) For “*ANY PRODUCT - SMALL CUP*”, press and release the corresponding product button on the Piccolina selection panel.
 - c) For “*ANY PRODUCT - LARGE CUP*”, press and hold the corresponding product button (for about 3 seconds) on the Piccolina selection panel.
4. **Increase or decrease the price by using the “INCREASE” or “DECREASE” buttons on the handheld programmer.**

SET FREE/COIN

Although this feature can be accessed and set through the software (SET-UP mode), it is much easier to change the unit to “FREE” or “COIN” mode by accessing the mechanical FREE/COIN switch inside the coin changer unit. The following procedure describes how this is done.

1. **Unlock the door on the coin changer unit.**
2. **Pull the front door towards you (the Piccolina coin changer assembly is on a track and is part of the front door).**
3. **Press the small button on the changer board to toggle the mode from “FREE” to “COIN” and vice-versa. This button is located at the back of the assembly (there is a cutout in the metal in front of the changer board).**



Location of Free/Coin Button

PICCOLINA COIN CHANGER INSTALLATION AND OPERATING INSTRUCTIONS

SET LANGUAGE

1. To set the language, press the "UP" button on the handheld programmer and scroll until the following message appears,

SET LANGUAGE
98°C

2. To view the "SET LANGUAGE" menu, press the "COFFEE" button on the Piccolina selection panel.
3. Select the language in which the messages will be displayed on the LCD.
 - a) Using the "INCREASE" or "DECREASE" button on the Piccolina programmer, select either "ENGLISH" or "FRENCH".

CASHBOX TOTAL

1. To access the "CASHBOX TOTAL" menu, press the "UP" button on the handheld programmer and scroll until the following message appears,

CASHBOX TOTAL
98°C

2. To view the "CASHBOX TOTAL" counter, press the "COFFEE" button on the Piccolina selection panel.
3. To reset the "CASHBOX TOTAL" counter,
 - a) Press the "INCREASE" and "DECREASE" buttons on the Piccolina programmer simultaneously.
 - b) To cancel the reset press one of the two scroll buttons on the Piccolina programmer.
 - c) To confirm the reset, press the "SCROLL UP" **and** "SCROLL DOWN" buttons on the Piccolina programmer simultaneously.

FREE VEND TOTAL

1. To access the "FREE VEND TOTAL" menu, press the "UP" button on the handheld programmer and scroll until the following message appears,

FREE VEND TOTAL
98°C

2. To view the "FREE VEND TOTAL" counter, press the "COFFEE" button on the Piccolina selection panel.
3. To reset the "FREE VEND TOTAL" counter,
 - a) Press the "INCREASE" and "DECREASE" buttons on the Piccolina programmer simultaneously.
 - b) To cancel the reset press one of the two scroll buttons on the Piccolina programmer.
 - c) To confirm the reset, press the "SCROLL UP" **and** "SCROLL DOWN" buttons on the Piccolina programmer simultaneously.

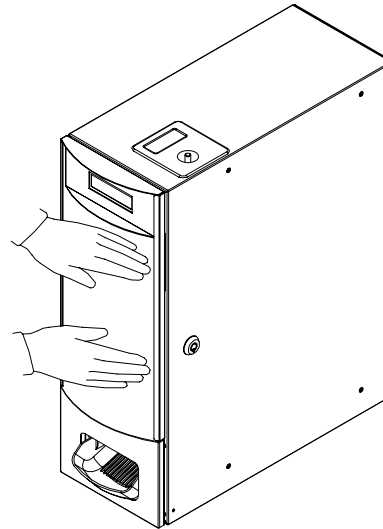
PICCOLINA COIN CHANGER INSTALLATION AND OPERATING INSTRUCTIONS

INSTALLING THE PRICING DECALS

Although the Piccolina changer unit has an LCD display that indicates the price when a beverage is selected, you may also want to install pricing decals onto the graphics sheet found in the bezel on the outside of the front door. The following procedure describes how to install the pricing decals.

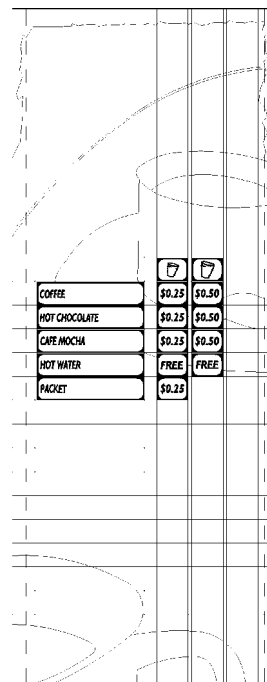
1. Place your hands on the top and bottom of one side of the protective plastic cover.
2. Grip the side of the plastic and pull it inwards to free it from the frame.

Remove the clear plastic cover and the graphics sheet from the bezel.



3. Once the plastic cover is loose, remove it from the door.
4. Remove the graphics sheet from behind the plastic cover.
5. Using the decal sheet provided, peel off the product, cup size and price decals required and stick them onto the graphics sheet.

Example of the pricing decal layout on the graphics sheet.

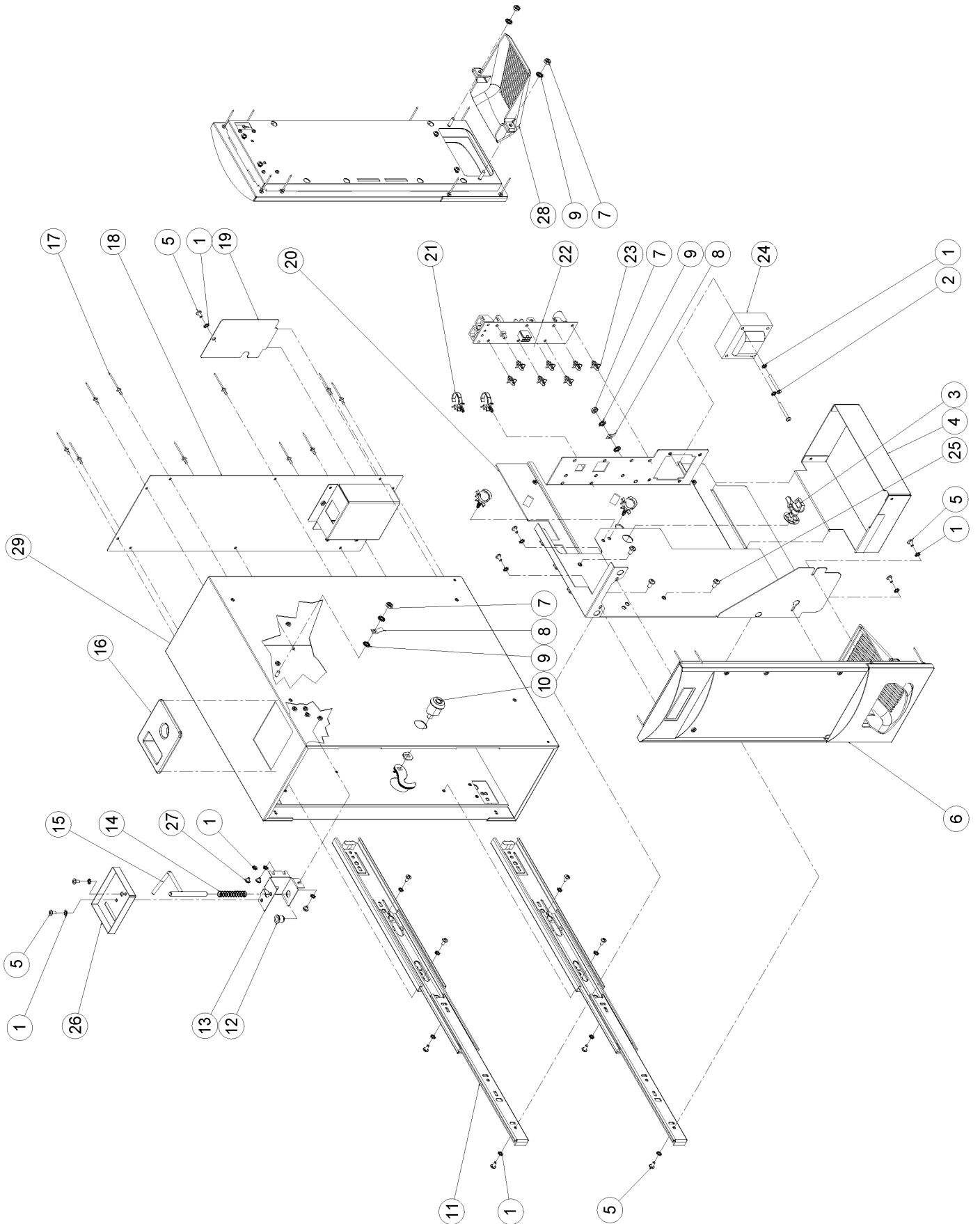


6. Once done, place graphics sheet inside the plastic cover.
7. Place plastic cover (and graphics) into the track on one side of the frame.
8. Pull the other side of the plastic cover (with the graphics) inwards and lock it into the track on the other side of the frame.

ASSEMBLY DRAWINGS AND PART NUMBERS



PICCOLINA COIN CHANGER INSTALLATION AND OPERATING INSTRUCTIONS



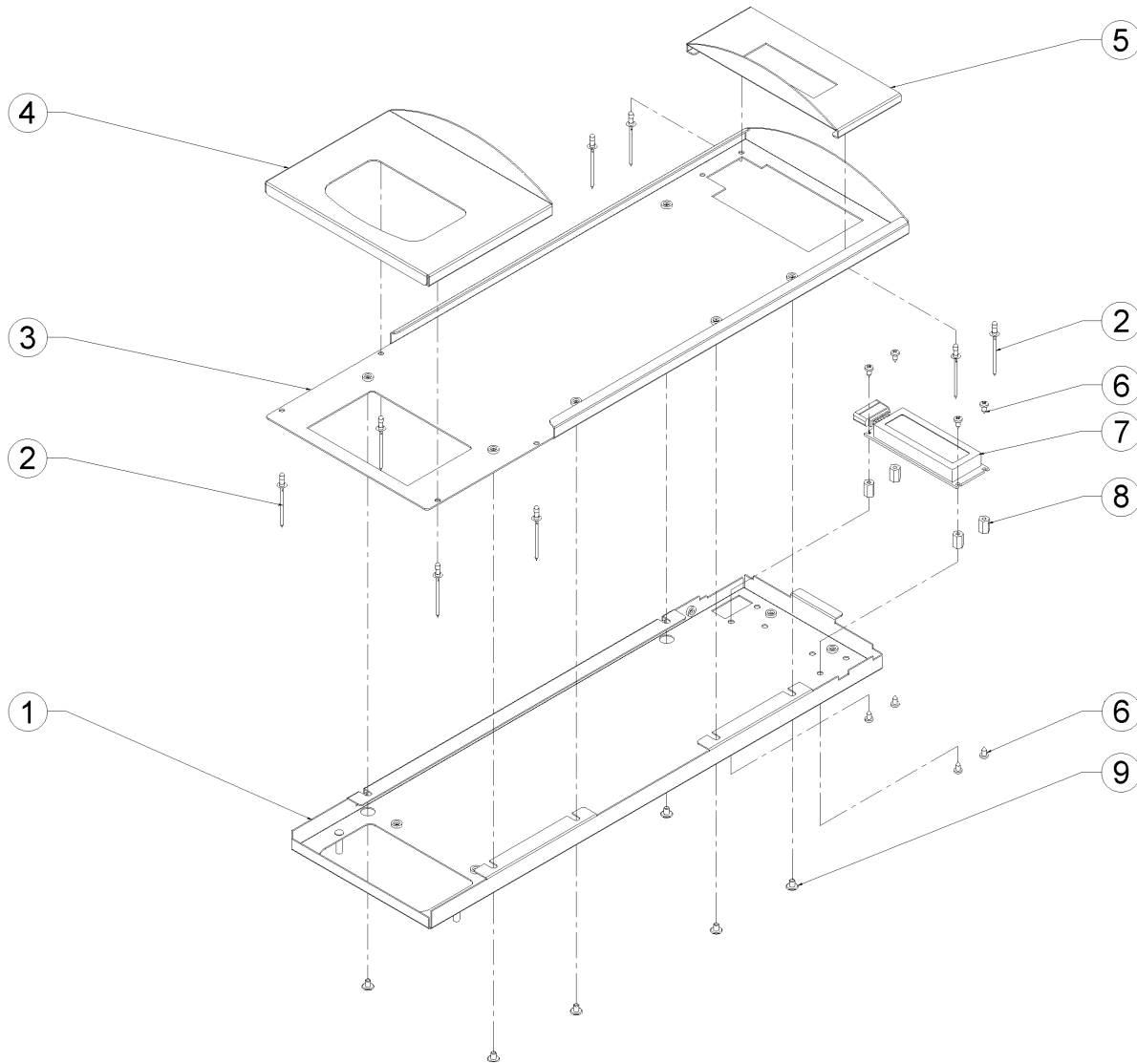
PICCOLINA COIN CHANGER INSTALLATION AND OPERATING INSTRUCTIONS

#	Description	Part #
1.	Lock Washer, #6 Ext. Tooth	T006421
2.	Screw, 6-32 x 1.25, Pan	T019561
3.	Latch	M019048
4.	Cash Box	L311031C4
5.	Screw, 6-32 x 5/16, TRS	T620541
6.	Assembly, Changer Door	E410277
7.	Hex Nut, 8-32, Reg	T008511
8.	Terminal, .250, Mountable	M019559
9.	Lock Washer, #8 Ext. Tooth	T008421
10.	Lock, Changer, #8645	M110159
11.	Slide (Track)	M310316
12.	Bearing	M014096
13.	Bracket, Coin Reject	K011246C4
14.	Spring, 0.300 OD x 1.75	M017040
15.	Weld, Rod, Coin Reject	L111008SS
16.	Coin Insert Block	M014049
17.	Pop Rivet, Dome Head	T019169
18.	Back Panel	L411179C4
19.	Connector Cover Plate	K011245C4
20.	Sliding Wall	L411180C4
21.	Clip, Wire, 1/2"	M019189
22.	Board, Changer, LCD, MDB	M210291
23.	Support, PCB, Nylon	M019186
24.	Transformer	M018021
25.	Screw, 10-32 x 3/8, Pan	T102069
26.	Cover, Coin Insert	K011242C4
27.	Screw, 6-32 x 3/16, TRS	T620341
28.	Coin Return Tray	M034082
29.	Weld, Box Assembly	L511021C4

NOT SHOWN

	Harness, Changer	M310362
	Harness, Output	M310363
	Harness, LCD Display	M310364
	Harness, 8-Pin	M029074
	Decal, Coin Insert	M016519
	Window, Changer	M034048
	Artwork	M036042
	Gasket	M039037

PICCOLINA COIN CHANGER INSTALLATION AND OPERATING INSTRUCTIONS



#	Description	Part #
1.	Back, Door	K031224
2.	Pop Rivet, Dome Head	T019169
3.	Frame, Door	K041325
4.	Bottom, Door	K021419
5.	Top, Door	K021423
6.	Screw 4-1/4, AB TAP	T4AB049
7.	Display, LCD	M018072
8.	Spacer, Plastic, 4-40 x .375	M014176
9.	Screw, 6-32 x 3/16, TRS	T620341

NOT SHOWN

	Harness, LCD Display	M310364
--	----------------------	---------