



AUXILIARY POWDER PRODUCT (APP) SYSTEM INSTALLATION

PLEASE NOTE THAT AN APP UPGRADE KIT (A410271) MUST BE INSTALLED AT THE SAME TIME THE APP SYSTEM IS BEING INSTALLED.

PRIOR TO INSTALLING THE APP, PRINT THE SERIAL NUMBER OF THE PICCOLINA ONTO THE SUPPLIED DECAL. PLACE THE DECAL ON THE RIGHT REAR CORNER ON THE TOP OF THE PICCOLINA.

Software Version 3.0



INSTALLATION INSTRUCTIONS FOR THE PICCOLINA AUXILIARY POWDER PRODUCT SYSTEM

SECTION I – REMOVE THE PERFORATED METAL KNOCK-OUTS ON THE SIDE OF THE MACHINE

The holes required for mounting the auxiliary powder product unit to the side of the Piccolina are pre-punched (sheet metal is perforated) at the factory, therefore no drilling or cutting is required. The metal centers of these holes are referred to as knock-outs, and must be removed to install the APP unit.

To remove the knock-outs from the machine cabinet:

1. **Switch off the power to the machine.**
2. **Remove the rear access panels from the Piccolina and the APP system.**
3. **Drain the water tank.**
 - a) Remove the drain hose from the small hook on the machine back panel.
 - b) Place the end of the drain hose into a waterproof container. Please note that the water may be extremely hot, therefore the container must be resistant to high temperatures.
 - c) Open the clamp at the end of the drain hose.



CAUTION: *Water coming out of the water tank may be extremely hot. Use caution when draining the water tank.*

- d) Drain the water into the container.
4. **Remove the water tank.**
 - a) Remove the valve stopper plate.
 - b) Loosen the screw securing the tank in place. It is located on the center panel, directly behind and above the coffee outlet valve.
 - c) Lift the tank up, tilt the top and pull it out of the machine.

5. Remove the knock-outs from the machine cabinet (*Figure 1*).

- a) Place the tip of a screwdriver on the edge of the knock-out.
- b) Strike the screwdriver to loosen the knock-out from the sheetmetal.
- c) Using pliers, grasp the knock-out and remove it. ***If you have difficulty removing it, it may be necessary to remove the Piccolina dispenser carriage and track to access the knock-out more easily.***
- d) File or sand the inside of the hole to remove any sharp edges in the metal, if necessary.

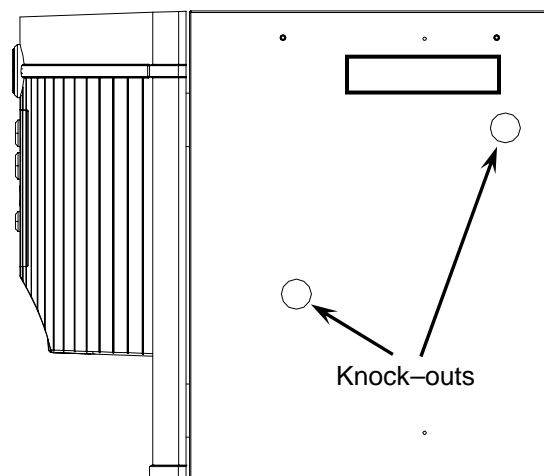


Figure 1 – Remove the knock-outs on side of unit.

➤ **Note:**

Do not re-install the water tank at this point.

INSTALLATION INSTRUCTIONS FOR THE PICCOLINA AUXILIARY POWDER PRODUCT SYSTEM

SECTION II - SECURE THE APP UNIT ONTO THE RIGHT SIDE OF THE MACHINE

NOTE: For Piccolina 2001 models, the handle on the right side of the machine must be removed and replaced by a metal cover plate before the APP system is mounted onto the unit (details are provided on the next page).

1. Using scissors, cut the dotted lines on the **top** of the paper template (provided).
2. Fold the bottom and side areas of the template (areas are labeled on the template for easy identification).
3. Align the template with the lower hole on the side of the Piccolina, and with the bottom and the rear of the machine (*figure 2a*).
4. Use a strip of tape at the top of the template to secure it in place.
5. Mark the center of the holes to be drilled with a center punch (*figure 2b*).
6. Drill the holes with a 3/16" drill bit.
7. Insert two 8-32 screws (provided) into the clinch nuts on the top right side of the machine. **Do not tighten these screws yet.**
8. Mount the APP unit onto the two top screws (*figure 2c*).
9. Secure the bottom of the APP to the Piccolina using the two self-tapping screws provided. Install the screws from the inside of the APP unit into the holes that were drilled on the wall of the Piccolina (step #6).
10. Making certain the APP is properly aligned on the side of the Piccolina, tighten all four screws using a short Phillips screwdriver.

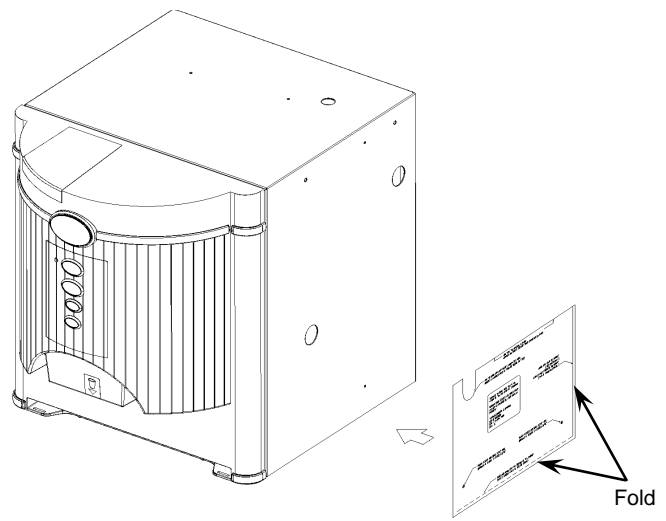


Figure 2a – Cut, fold and align the template.

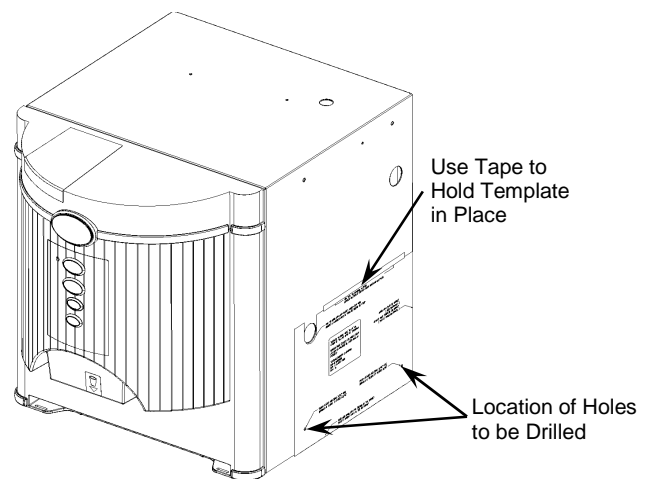


Figure 2b – Tape the template in place, then mark & drill the holes.

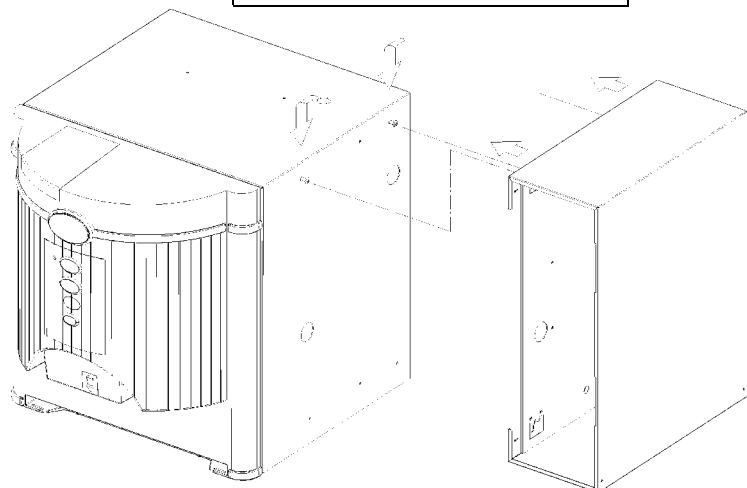


Figure 2c – Mount the APP to the side of the machine, and install or tighten screws.

INSTALLATION INSTRUCTIONS FOR THE PICCOLINA AUXILIARY POWDER PRODUCT SYSTEM

SECTION IIa – REPLACE THE HANDLE (APPLIES TO 2001 MODELS ONLY)

If the APP System is being installed on a Piccolina 2001 model, it is necessary to remove the handle on the right side of the machine and replace it by a metal cover plate. The handle must be removed so that the APP System is mounted right up against the wall of the unit, and the cover plate blocks the handle hole preventing the exhaust fan from pulling air through it.

1. Pull the dispenser carriage completely forward.
2. Remove the screw that secures a metal plate behind the handle (*figure A1*). The screw is located at the top right corner of the panel behind the dispenser carriage.
3. Remove the handle plate located behind the handle (*figure A1*).
4. From the rear of the machine, press the two clips at the bottom of the handle (*figure A1*). This will free the handle, which can then be removed.
5. Re-install the plate removed in step #3. Install the screw removed in step #2 to hold the plate in position, but do not tighten the screw at this point (*figure A2*).
6. From the rear of the machine, slide the new cover plate (provided) into the corner to block the hole where the handle used to be (*figure A2*).
7. Tighten the screw to secure both plates in place.

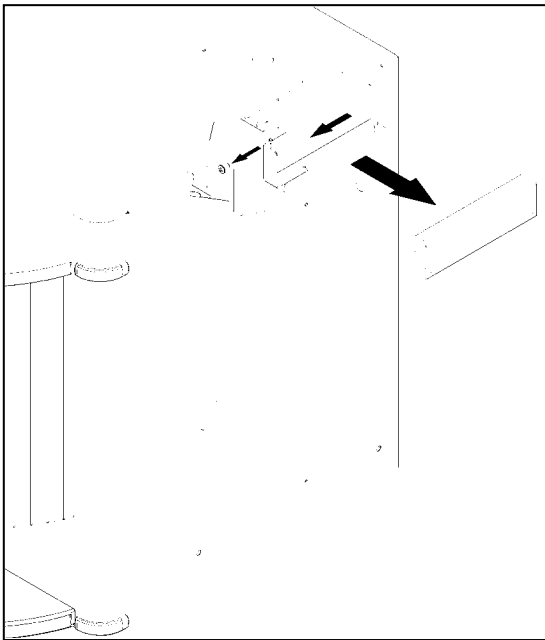


Figure A1 – Remove the handle plate and the handle.

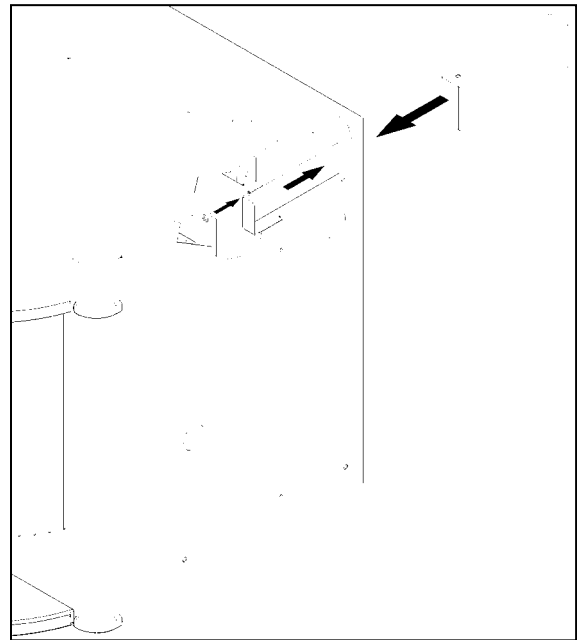
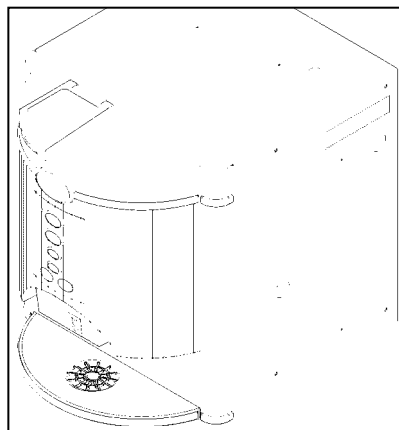


Figure A2 – Add the cover plate & re-install handle plate.



INSTALLATION INSTRUCTIONS FOR THE PICCOLINA AUXILIARY POWDER PRODUCT SYSTEM

SECTION III - INSTALL THE VALVE AND POWDER PRODUCT HOSE

1. Remove the plug from the valve port on the side of the water tank (*Figure 3*).

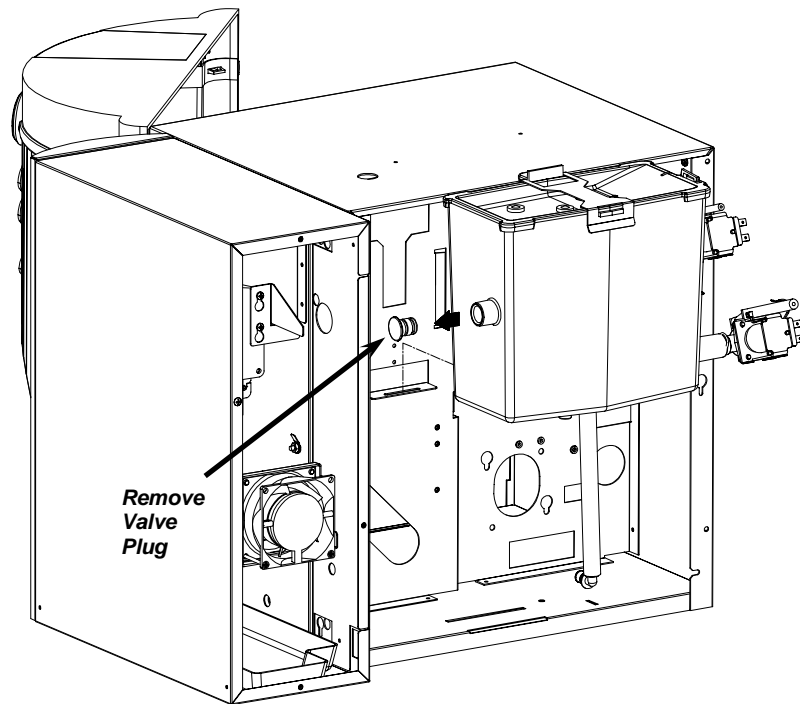


Figure 3 – Remove valve plug from water tank.

2. Re-install the water tank.
 - a) Align the water tank assembly on its mounting position.
 - b) Insert the tab (at the bottom rear of tank) into the small slot on the metal support.
 - c) Pass the coffee hose through the cutout in the sheetmetal and connect it to the diffuser on the brewer.
 - d) Tilt the water tank into position and install the screw that secures the water tank and coffee water hose in place.
 - e) Re-install the valve stopper plate.

➤ **Note:**

When installing the water tank, check to make sure the overflow hose is not pinched between the water tank body and the metal wall. Make certain it is inserted into the overflow cup.

INSTALLATION INSTRUCTIONS FOR THE PICCOLINA AUXILIARY POWDER PRODUCT SYSTEM

3. Connect the hose to the whipper assembly. (Figure 4).

- a) Pass the hose through the side of the machine and into the Piccolina APP **1**.

➤ **Note:**

When routing the hoses inside the machine, the APP hose must be placed in the upper position (with the hot water hose below it), to get the best flow from both hoses.

- b) Pass the plastic clamp over the end of the hose (inside the APP) **2**.
- c) Insert the small end of the whipper elbow into the hose **3**.
- d) Close the clamp over the hose, making certain the whipper elbow is also secured to the end of the hose (by the clamp).
- e) Connect the whipper elbow (and the hose) to the bottom of the whipper chamber **4**.

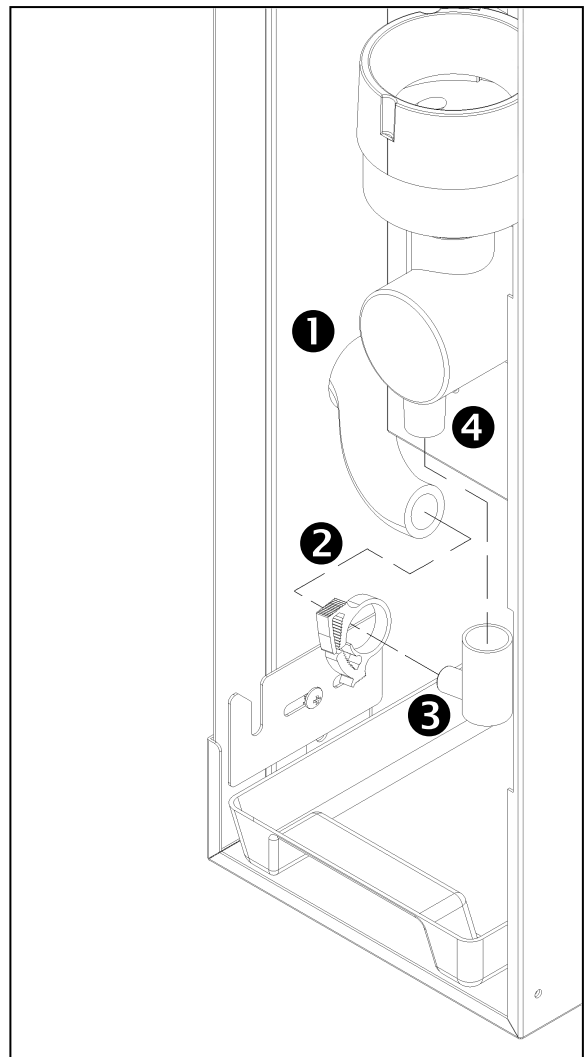
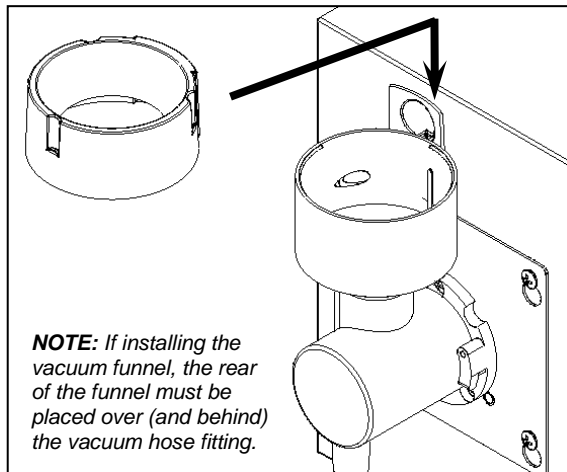


Figure 4 – Assemble the hose and fitting, then connect it to the whipper assembly.

INSTALLATION INSTRUCTIONS FOR THE PICCOLINA AUXILIARY POWDER PRODUCT SYSTEM

4. Install the APP valve onto the side of the tank (*Figure 5*).

- a) Remove the valve stopper in the APP (on the back of the ingredient motor) by loosening the two screws and lifting it up.
- b) Connect the hose to the APP outlet valve.
- c) Install the APP outlet valve onto the water tank.
- d) Re-install the valve stopper in the APP.

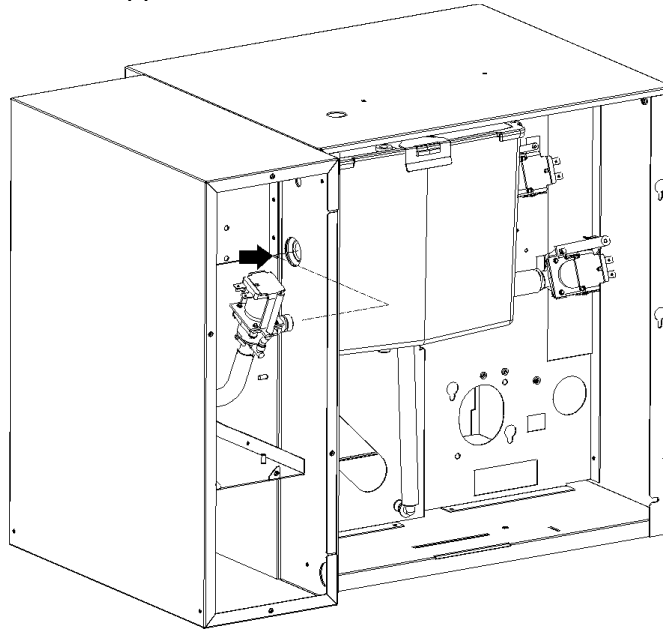


Figure 5 - Install the valve onto the side of the water tank.

5. Connect the outlet hose to the twin outlet spout on the front door (*Figure 6*).

- a) Remove the existing outlet spout and replace it with the new one (supplied in the upgrade kit).
- b) Connect the hose to the new outlet spout (upper position).

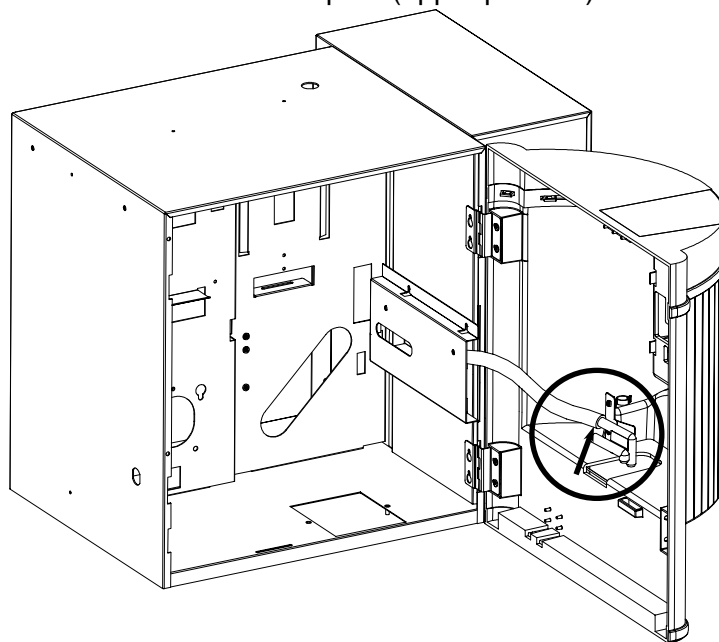


Figure 6 – Connect powder product hose to the new outlet spout.

INSTALLATION INSTRUCTIONS FOR THE PICCOLINA AUXILIARY POWDER PRODUCT SYSTEM

SECTION IV - MAKE ALL THE NECESSARY ELECTRICAL CONNECTIONS

The APP for the Piccolina comes pre-wired from the factory. It is necessary, however, to modify the wiring inside the Piccolina to accept the APP. An additional wiring harness is provided with each kit and it must be incorporated into the existing wiring of the machine. The procedure for doing this is outlined below.

1. With the rear panel on the Piccolina removed, pass the new wiring harness behind the exhaust fan, with the terminal to the right and the connector to the left.
2. For older Piccolina models, add the .250 splitter (provided in the upgrade kit) onto the ground tab on the rear board cover (*inset on Figure 7*).
3. Using the following chart as a reference, make all the necessary wiring connections from the APP Auxiliary harness to the machine (*Figure 7*).

APP Auxiliary Harness	Piccolina Machine
Wire # 1 (Blue)	Connect to: Pin #1 of General Harness Connector
Wire # 2 (White)	Connect to: Pin #2 of General Harness Connector
Wire # 3 (Green & Yellow)	Connect to: Piccolina Ground Stud – on the Rear Board Cover
Wire # 4 (White)	Connect to: Pin #4 of General Harness Connector
Wire # 6 (White)	Connect to: Pin #6 of General Harness Connector
Wire # 8 (White)	Connect to: Pin #8 of General Harness Connector
	APP System
Wire # 4 (White)	Connect to: Outlet Valve
Wire # 1-2 (Blue)	Connect to: Outlet Valve
Wire # 3-1 (Green & Yellow)	Connect to: Ground on Outlet Valve

*** A drawing of the wiring connections inside of the coffee machine is provided on the next page. Please use the chart above, as well as the wiring drawing, as references.**

4. Connect the large connector on the end of the new wiring harness to the large connector on the APP system (Figure 8).
5. The following chart details the wiring connections inside the Piccolina APP system. Although this wiring is done at the factory, it is recommended that you keep these charts as a reference should you ever need to rewire the system.

Wiring Connections Inside the Piccolina APP System	
Wire # 3-3 (Green & Yellow)	Connect to: APP Cabinet Ground Stud
Wire # 6 (White)	Connect to: Dispenser Motor
Wire # 1-4 (Blue)	Connect to: Dispenser Motor
Wire # 5 (White)	Connect to: Transformer for Whipper Motor
Wire # 1-3 (Blue)	Connect to: Transformer for Whipper Motor
Wire # 3-2 (Green & Yellow)	Connect to: Ground Stud – Whipper/Dispenser Bracket
3-Pin Connector	Connect to: Exhaust Fan
Transformer Secondary (output) Wires	Connect to: Whipper Motor

INSTALLATION INSTRUCTIONS FOR THE PICCOLINA AUXILIARY POWDER PRODUCT SYSTEM

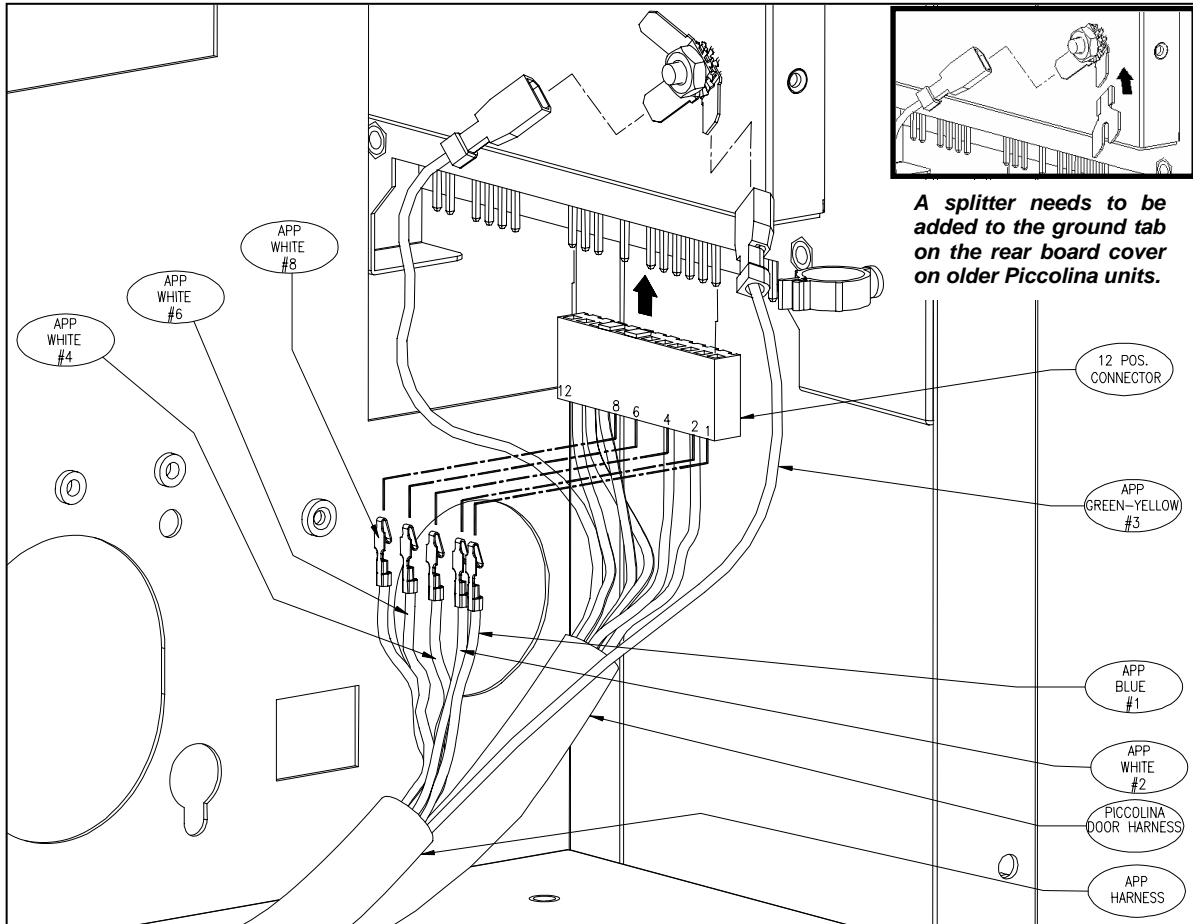


Figure 7 - Insert Terminals from New APP Auxiliary Harness into Existing Piccolina General Harness Connector.
Inset – On older Piccolina models, add splitter (provided in upgrade kit) to ground tab on rear board.

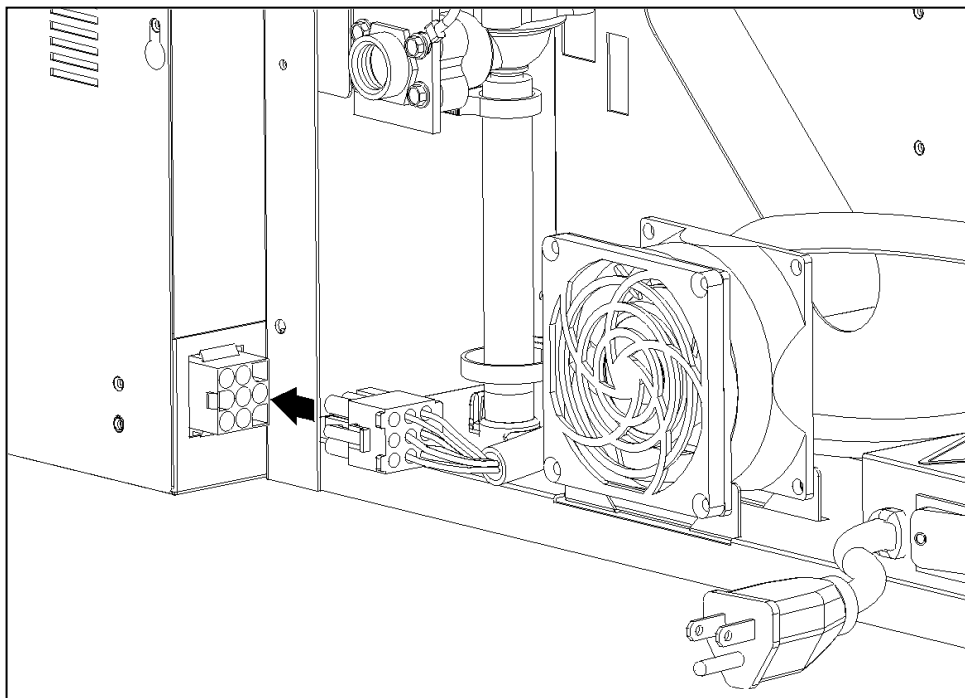


Figure 8 - Connect the other end of the new APP Auxiliary Harness to the Connector on the APP.

INSTALLATION INSTRUCTIONS FOR THE PICCOLINA AUXILIARY POWDER PRODUCT SYSTEM

SECTION V - ADD TWO SWITCH CAPS (BUTTONS) TO THE PICCOLINA FRONT BOARD

1. Remove the front board assembly from the door of the machine.
 - a) Open the front door.
 - b) Squeeze the plastic clips securing the front board to the door.
 - c) Gently push the front board assembly until it comes loose from the door.
2. Remove the electronic circuit board from the board cover.
 - a) Remove the six screws securing the main circuit board to the front board cover.
 - b) While keeping the assembly face down on the table, lift the board assembly out of the cover.
3. Add the two new switch caps to the front board (Figure 9).
 - a) Remove the two plugs from the front board cover, below the hot water button location.
 - b) Install the additional switch caps onto the openings in the front board cover.

➤ **Note:**

If making this modification to an older Piccolina, it is necessary to add the new front board cover (provided in the upgrade kit), as older covers are not equipped with the two extra button location openings.

4. Re-assemble the front board assembly.
 - a) With the switch caps all in position, lay the front circuit board assembly flat onto the board cover.
 - b) Secure the board in place with the six screws (removed in step 2-a).
5. Re-install the front board assembly onto the front door.
 - a) Align the front board assembly with the cutout on the front door.
 - b) Push the assembly into the door until the plastic clips on each side lock it in place.
6. Add the straight "POWDER PRODUCT" decal onto the left switch cap, and the "MIXED POWDER PRODUCT" decal onto the right switch cap.
7. Install the "HOLD FOR LARGE CUP" decal below the two new switches. It should be completely centered on the bottom of the front board cover.

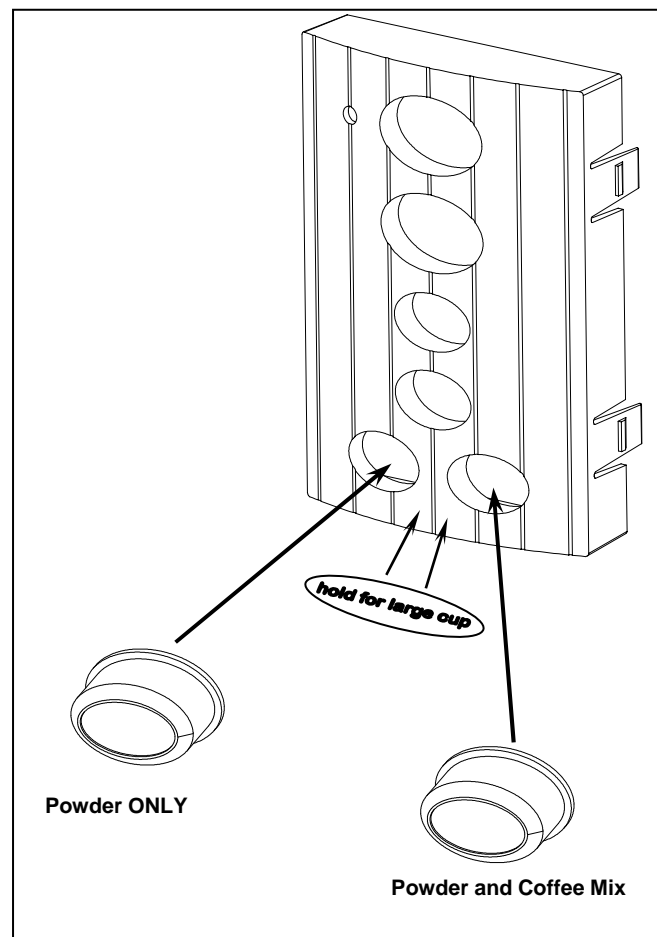


Figure 9 - Install the two new switch caps (from the rear of the panel) in the locations identified. Center and apply the "Hold for Large Cup" decal below the two new switches.

INSTALLATION INSTRUCTIONS FOR THE PICCOLINA AUXILIARY POWDER PRODUCT SYSTEM

SECTION VI – DOWNLOAD THE NEW SOFTWARE (if required)

The following procedures are required to download the APP software (Eprom provided in upgrade kit) from the programmer to the Piccolina. ***Please note that this step will only be required for older Piccolina models that are not APP compatible (software version lower than 3.0).***

1. Switch the power to the Piccolina "OFF" by opening the front door.
2. Connect the programmer to the Piccolina.
 - a) Disconnect the phone cable from the Piccolina front board.
 - b) Connect the phone cable to the programmer.
3. Begin the software download.
 - a) Press the "MENU SCROLL DOWN" button on the programmer (bottom button) and keep it pressed.
 - b) Insert the service key into the interlock switch. The power to the machine will switch "ON".
 - c) Once the power is "ON", release the button on the programmer to automatically begin the download.
 - d) The LED's will begin to flash on the programmer (alternating from the bottom LED to the top LED) to indicate that the software is being downloaded. Once the procedure is complete, the machine will then exit the download mode.



WARNING: Do not interrupt this procedure once it is in progress as data being transferred may become corrupted, creating problems with the operation of the coffee machine.

- e) When the LED's stop flashing (and only one is lit), the software download is complete.
- f) Switch the power to the Piccolina "OFF" by removing the service key.
- g) Disconnect the downloader and reconnect the phone cable to the front board.
- h) Switch the power to the Piccolina "ON" by re-inserting the service key.
- i) The Piccolina will now indicate a "BREWER HOME" error. Press a "COFFEE" selection button to clear the error.

➤ **Note:**

If an older Barista Programmer with a non-backlit LCD is used to perform the download, the display will show a series of random characters. This is normal using an older programmer.

If a newer programmer with a backlit LCD is used, nothing will be displayed on the LCD.

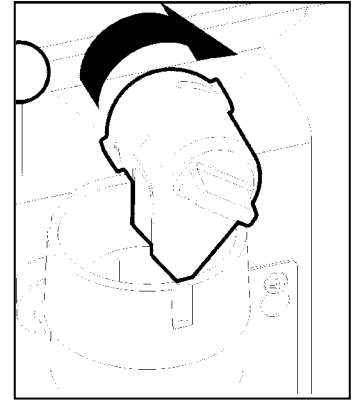
INSTALLATION INSTRUCTIONS FOR THE PICCOLINA AUXILIARY POWDER PRODUCT SYSTEM

SECTION VII – TESTING THE SYSTEM

Now that everything has been assembled and the new software has been downloaded, it is necessary to test the system to make certain everything is working properly. For the moment, fill the hopper and test the system using the factory settings that were programmed when the new software was downloaded. The testing procedure is outlined below.

1. Fill the APP hopper with an approved powder product. Please check page 22 for a list of the products that were tested at VKI.

- a) Open the front door of the Piccolina APP system.
- b) Turn the powder dispenser spout clockwise so it is horizontal, to prevent the powder from flowing out of the dispenser.
- c) Pull out the dispenser using the handle in front of the assembly. **Please note that if the spout is not turned (previous step), it will not be possible to pull the dispenser out.**
- d) Pour powder product into the hopper.
- e) Slide the dispenser back in place.
- f) Turn the powder dispenser spout counterclockwise, until it is in its original position, to allow the powder to flow. **If the spout is not returned to its original position, the powder will not dispense properly.**
- g) Close the front door of the Piccolina APP system.



2. Set the appropriate APP powder setting/cycle.

- a) Switch on the power to the Piccolina with the handheld programmer connected. After the initial programmer power-up routine, scroll until the following message appears,

SET APP FLAVOUR
98°C

- b) Press the “COFFEE” button to access this menu.
- c) By default, the cycle is set for chocolate.
- d) If you plan on using Cappuccino, or vanilla (or anything similar), set the cycle to “VANILLA” by pressing the “+” button on the programmer.
- e) Once done, disconnect the programmer from the machine.

3. Prime the powder product dispenser.

- a) On the machine selection panel, select a large cup of the straight powder product by pressing and holding the “POWDER PRODUCT” button (for approximately 3 seconds).

4. While priming the dispenser, check the system for any restrictions and/or leaks (at the valves, hoses, and door tubes).

5. Taste test both the “POWDER PRODUCT” and “MIXED POWDER PRODUCT” options.

6. Make any necessary changes to the settings for the POWDER features. The procedure for adjusting product and water settings is outlined on the next page.

INSTALLATION INSTRUCTIONS FOR THE PICCOLINA AUXILIARY POWDER PRODUCT SYSTEM

SETTING WATER FOR POWDER FEATURES

1. To adjust water settings, switch on the power to the Piccolina with the handheld programmer connected. After the initial programmer power-up routine, the following message appears,

SET WATER
98°C

2. Select the cup size to be adjusted.
 - a) For "SMALL CUP", press and release the "POWDER PRODUCT" or "MIXED POWDER PRODUCT" button on the front door of the Piccolina.
 - b) For "LARGE CUP", press and hold the "POWDER PRODUCT" or "MIXED POWDER PRODUCT" button (for about 3 seconds) on the front door of the Piccolina.
3. Increase or decrease the water timing by using the adjustment buttons on the handheld programmer. Press '+' to increase and '-' to decrease.

SETTING PRODUCT FOR POWDER FEATURES

1. To adjust product settings, press the "SCROLL UP" button on the handheld programmer and scroll until the following message appears,

SET PRODUCT
98°C

➤ **Note:**

The "POWDER PRODUCT" setting is identified on the LCD as "AppPro" for regular cup and "AppProLar" for the large cup.

The "MIXED POWDER PRODUCT" setting is identified on the LCD as "AppMix" for regular cup and "AppMixLar" for the large cup.

2. Select the cup size to be adjusted.
 - a) For "POWDER PRODUCT – SMALL CUP", press and release the 'POWDER PRODUCT' button on the front door of the Piccolina.
 - b) For "POWDER PRODUCT – LARGE CUP", press and hold the 'POWDER PRODUCT' button (for about 3 seconds) on the front door of the Piccolina.
 - c) For "MIXED POWDER PRODUCT – SMALL CUP", press and release the 'MIXED POWDER PRODUCT' button on the front door of the Piccolina.
 - d) For "MIXED POWDER PRODUCT – LARGE CUP", press and hold the 'MIXED POWDER PRODUCT' button (for about 3 seconds) on the front door of the Piccolina.
3. Increase or decrease the product timing by using the adjustment buttons on the handheld programmer. Press '+' to increase and '-' to decrease.

INSTALLATION INSTRUCTIONS FOR THE PICCOLINA AUXILIARY POWDER PRODUCT SYSTEM

SECTION VIII – FINISHING TOUCHES

Once the system has been tested, install the back panels and the wire cover bracket onto the rear of the Piccolina and APP.

1. Remove the cover plate at the bottom left of the Piccolina back panel (2 screws). **Make certain the plate at the top right corner is installed on the back panel.**
2. Slide the back panels into position and secure them by tightening the necessary screws (Figure 10).

➤ **Note:**

If installing the APP onto an older Piccolina, replace the existing back panel with the new back panel provided in the upgrade kit.

3. Place the wire cover bracket over the APP wiring exiting the rear of the machine and over the APP connector on the sidocar unit (Figure 11).
4. Secure the cover in place by using two screws.
5. Install any other bracket or panel that may have been removed during the Piccolina APP installation process.
6. Install the refill instructions decal onto the inside of the APP door (Figure 12).

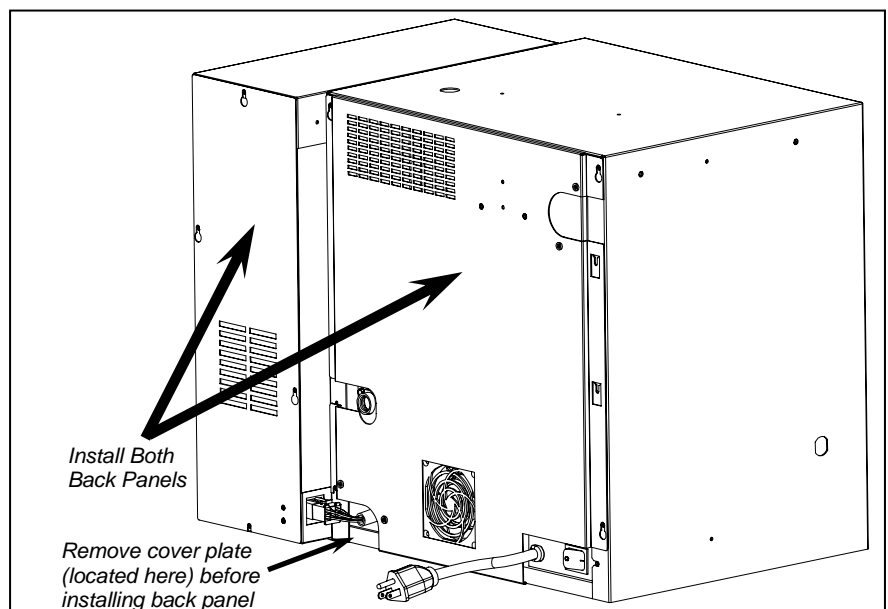


Figure 10 – Re-install the Piccolina and APP back panels.

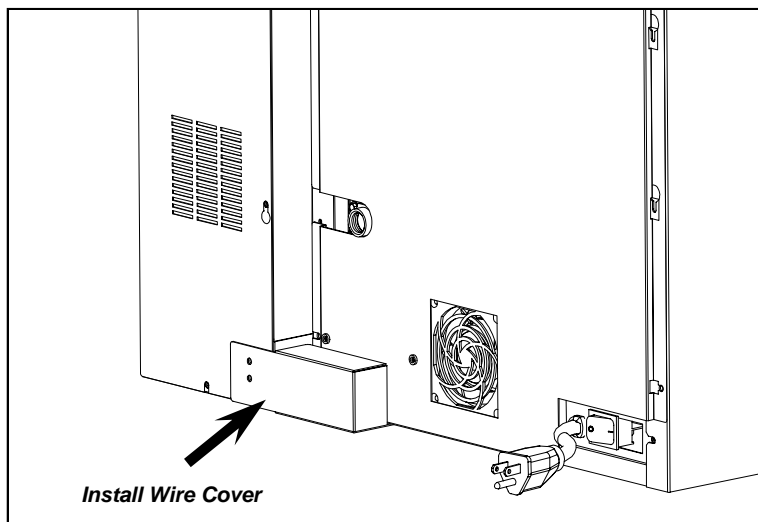


Figure 11 – Install the wire cover bracket.

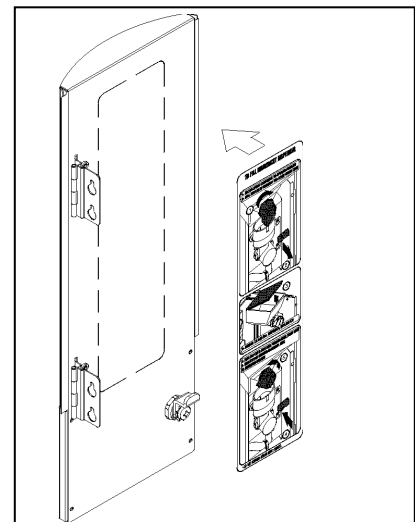


Figure 12 – Install APP instruction decal.

INSTALLATION INSTRUCTIONS FOR THE PICCOLINA AUXILIARY POWDER PRODUCT SYSTEM

SECTION IX – SOFTWARE NOTES

Rinse Cycles

The “RINSE CYCLE” has been modified on models equipped with the APP option (software), to include a rinse for the powder product components.

1. Press and hold the red “OPEN BREWER/LOAD FILTER TAPE” button on the interior control panel.
2. The Piccolina will beep five times.
3. Press the ‘+’ and ‘-’ buttons on the programmer simultaneously.
4. To activate the brewer rinse cycle, press the “COFFEE” button on the front selection panel.
5. To activate the APP rinse cycle, press the “POWDER PRODUCT” button on the front selection panel.

The brewer rinse cycle will function as it does in regular Piccolina models. The APP rinse will dispense approximately one cup of hot water through the APP system to rinse the whipper bowl, chamber and hoses. The procedure can be repeated if additional rinsing is required.

Please note that this procedure can also be performed by accessing the “RINSE CYCLE” menu using the Piccolina Programmer.

Transferring Settings From One Piccolina to Another

In order to decrease preparation time, this new software version allows for the transferring of settings from one Piccolina machine to another.

1. Switch on the power to the Piccolina with the handheld programmer connected. After the initial programmer power-up routine, scroll to the following menu:

COPY SET-UP
98°C

2. Press the “COFFEE” button on the front selection panel to access this feature.
3. Using the “MENU SCROLL UP” or “MENU SCROLL DOWN” buttons, select the option required.

**COPY PROGRAMMER
TO PICCOLINA**

⇒ *Transfers settings from the programmer to the Piccolina*

**COPY PICCOLINA
TO PROGRAMMER**

⇒ *Transfers settings from the Piccolina to the programmer*

**COPY SETUP
EXIT**

⇒ *Exits the “COPY SET-UP” menu*

4. Press the “INCREASE” and “DECREASE” button simultaneously to begin the transfer.

INSTALLATION INSTRUCTIONS FOR THE PICCOLINA AUXILIARY POWDER PRODUCT SYSTEM

----- GENERAL INFORMATION -----

- With this software version, it is no longer necessary to open and close the packet door when exiting the “SET-UP” mode. The unit will always be configured for “DELUXE” model.
- When the unit is vending, the LED on the front selection panel will change to a solid yellow.
- Counters for the powder products can be found in the “SET-UP”.
- When selecting the powder product mix option, you may notice small pauses towards the end of the brewer cycle. This was done to synchronize the coffee and powder so that both end at approximately the same time in the cycle.
- For the powder product cycle, the powder product valve may open and close several times throughout the cycle. This is done to prevent the whipper bowl from overflowing with liquid.
- The vacuum/exhaust fan on the APP system will remain on for approximately two minutes after each APP vend.

REPLACING THE GRAPHICS ON THE APP DOOR

Note: Prior to installing the plastic graphics cover on the APP door, the thin protective film on the cover will need to be peeled off.

The graphics on the APP door are held in place by a protective plastic cover. The cover and graphics are secured inside a track on each side of the door. They are not glued in place and no tools are required to remove them.

1. Place your hands on the top and bottom of one side of the protective plastic cover.
2. Grip the side of the plastic and pull it inwards to free it from the track securing it onto the door (*Figure 13*).
3. Once the plastic cover is loose, remove it from the door.
4. Remove the existing graphics from behind the plastic cover.
5. Place new graphics inside the plastic cover.
6. Place the plastic cover (with the graphics) into the track on one side of the door.
7. Pull the other side of the plastic cover (with the graphics) inwards.
8. Push the cover and graphics onto the door making certain they are placed beneath the track.
9. Release them into position.

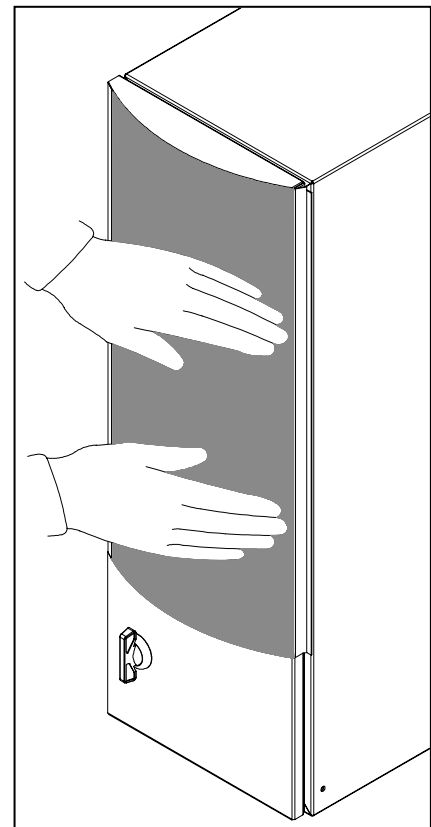
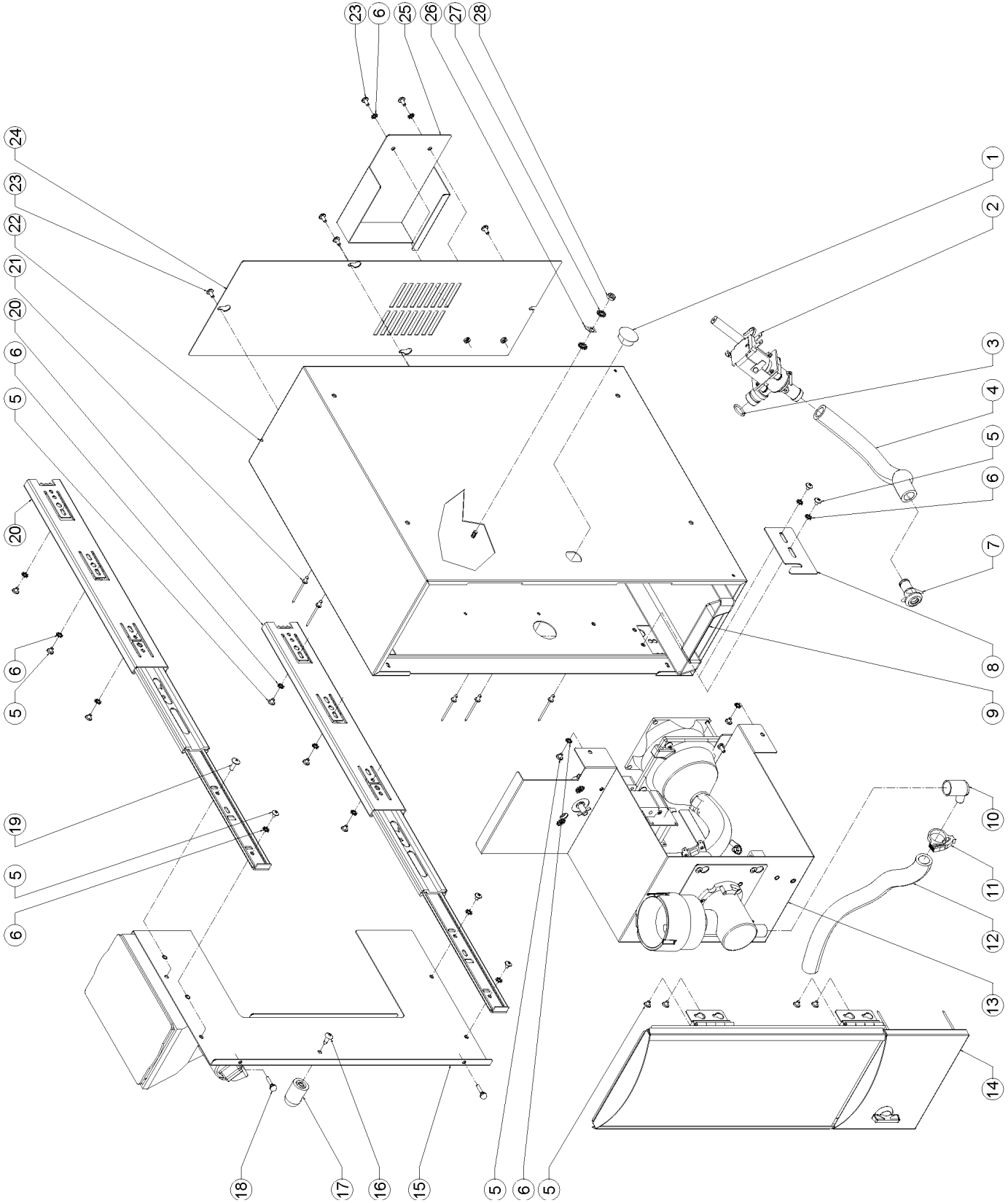


Figure 13 – Using your hands, grip one side of the plastic cover and pull it inwards to release it from the door tracks.

ASSEMBLY DRAWINGS AND PART NUMBERS



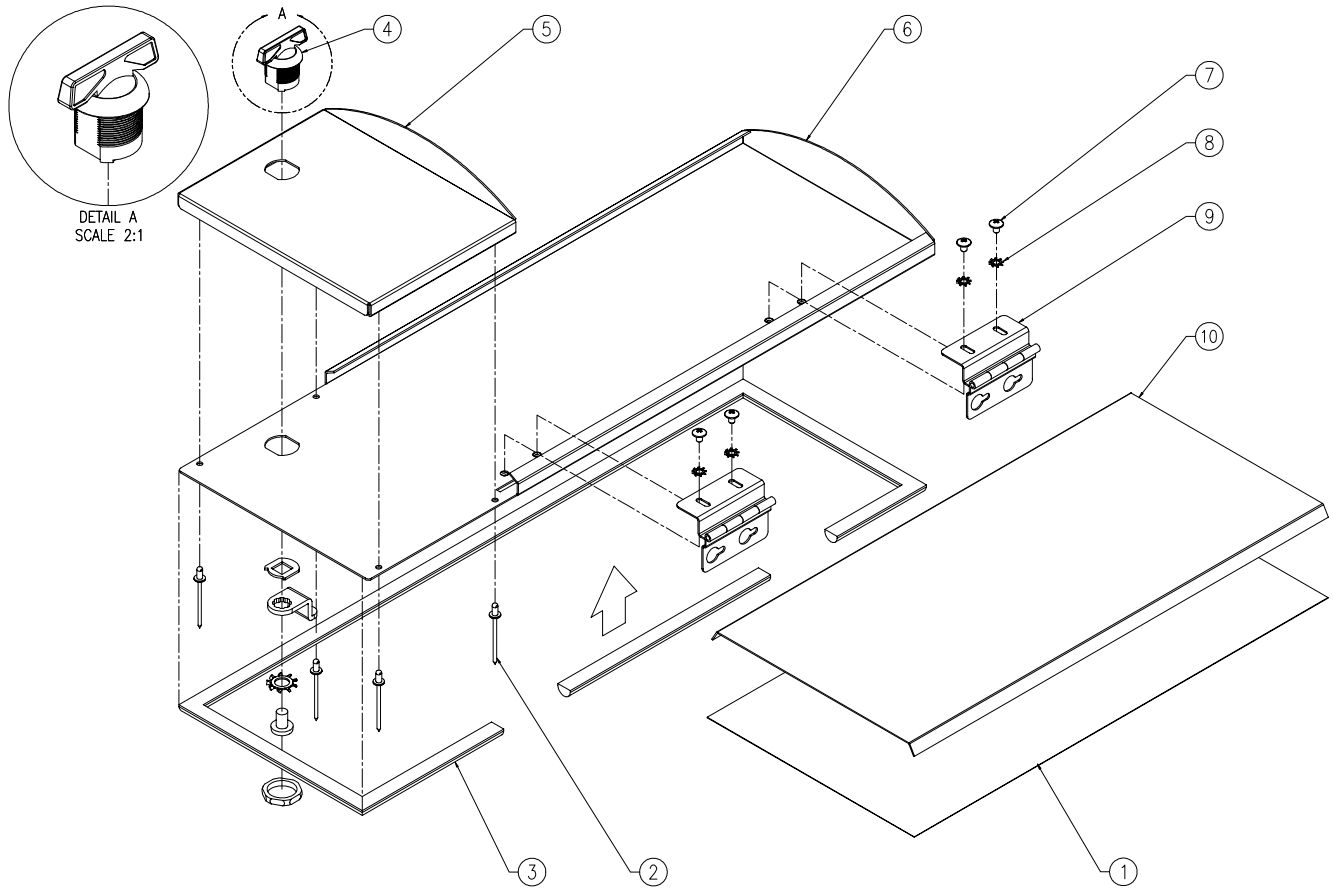
INSTALLATION INSTRUCTIONS FOR THE PICCOLINA AUXILIARY POWDER PRODUCT SYSTEM



INSTALLATION INSTRUCTIONS FOR THE PICCOLINA AUXILIARY POWDER PRODUCT SYSTEM

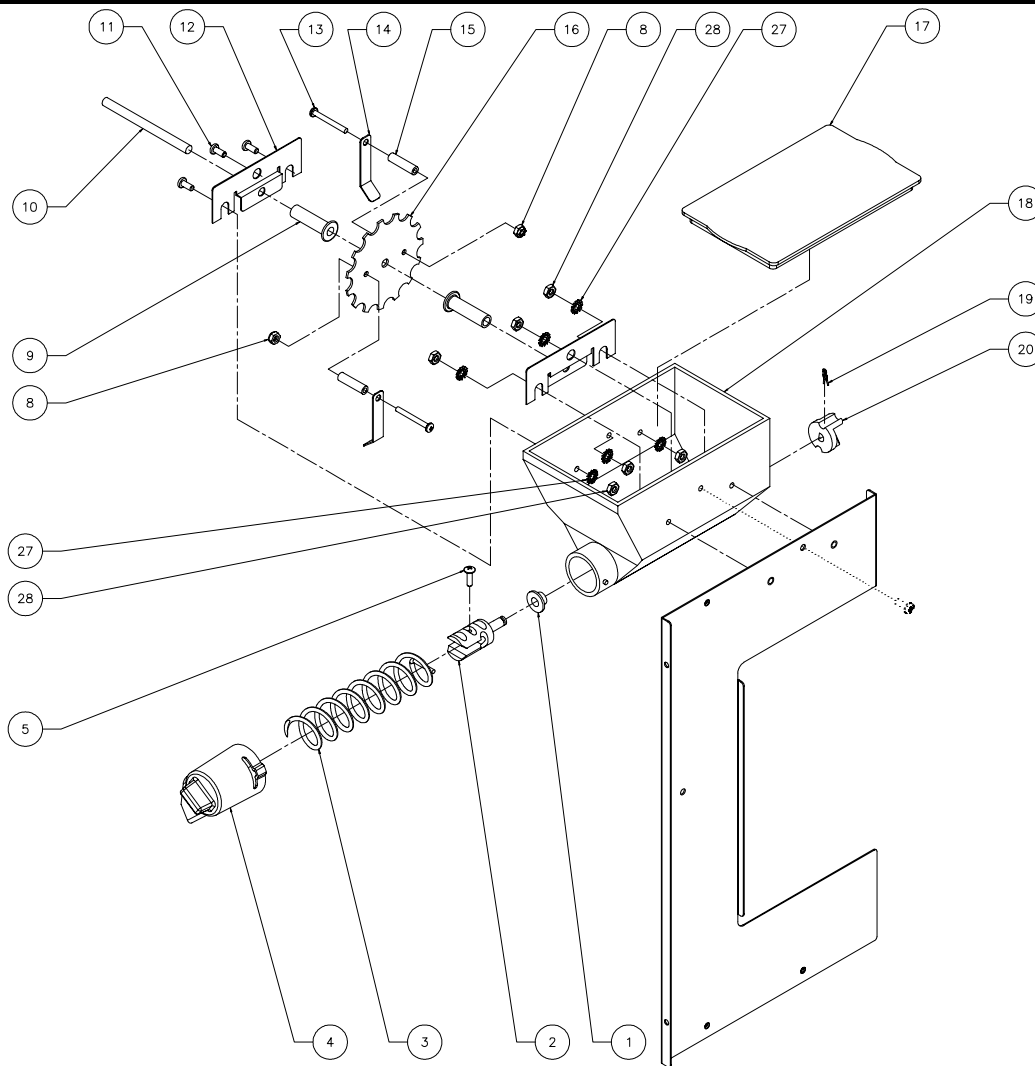
#	Description	Part #
1.	Double—"D" Plug	M019185
2.	Valve, Outlet, Deltrol	E210271
3.	O-Ring	M019052
4.	Hose, Valve	K025017
5.	Screw, 6-32 x $\frac{3}{16}$, TRS	T620341
6.	Lockwasher, #6, Ext. Tooth	T006421
7.	Coupling, Whipper Funnel	M019061
8.	Plate, Lock	K011236C4
9.	Drip Tray	M044096
10.	Elbow, Whipper	M019662
11.	Clamp, Plastic, #8	T014195
12.	Hose, Outlet	K025018
13.	Assembly, Separator	C510118
14.	Door Assembly	C410266
15.	Sliding Wall	K041322C4
16.	Screw, 6 x $\frac{1}{2}$, TRS, BT	T8BT084
17.	Handle, Dispenser	M019162
18.	Bumper, Rubber	M014168
19.	Screw, 8-32 x $\frac{1}{2}$, TRS	T820841
20.	Slide, Dispenser	M310316
21.	Pop Rivet, .212 x .125	T019585
22.	APP Box, Weld Assembly	L511021C4
23.	Screw, 6-32 x $\frac{5}{16}$, TRS	T620541
24.	Back Panel	K031208C4
25.	Cover, Wires	K021360C4
26.	Terminal, .250, Stud Mountable	M019559
27.	Lockwasher, #8 Ext. Tooth	T008421
28.	Hex Nut, 8-32	T008511

INSTALLATION INSTRUCTIONS FOR THE PICCOLINA AUXILIARY POWDER PRODUCT SYSTEM



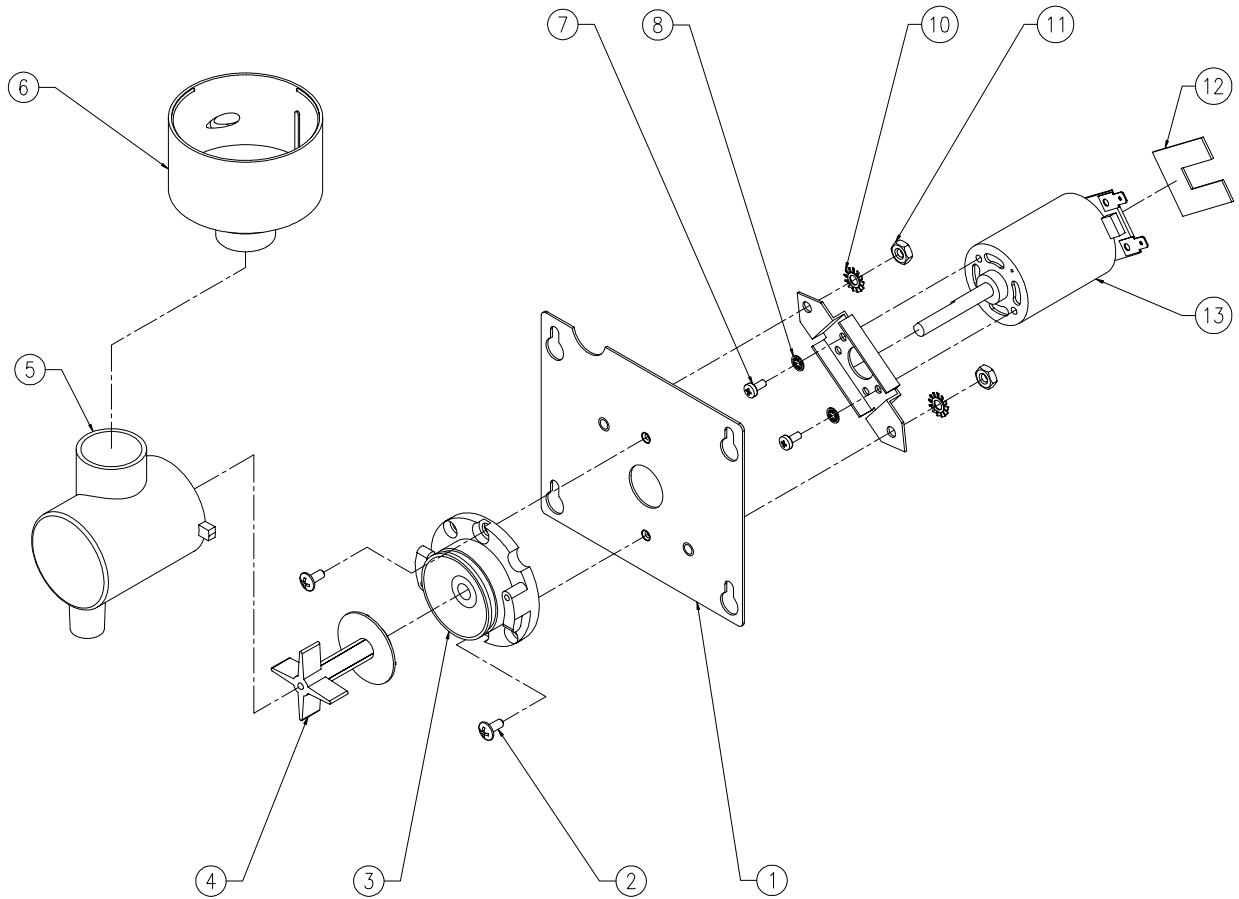
#	Description	Part #
1.	Liner, Window	M036030
2.	Pop Rivet, .212 x .125	T019585
3.	Gasket, APP Door	M031356
4.	Lock, Thumbturn	M019160
5.	Bottom, Door	K011232C4
6.	Frame, Door	K041321C4
7.	Screw, 6-32 x ³ / ₁₆ , TRS	T620341
8.	Lockwasher, #6, Ext. Tooth	T006421
9.	Hinge, Door	M021251
10.	Window	M034048

INSTALLATION INSTRUCTIONS FOR THE PICCOLINA AUXILIARY POWDER PRODUCT SYSTEM



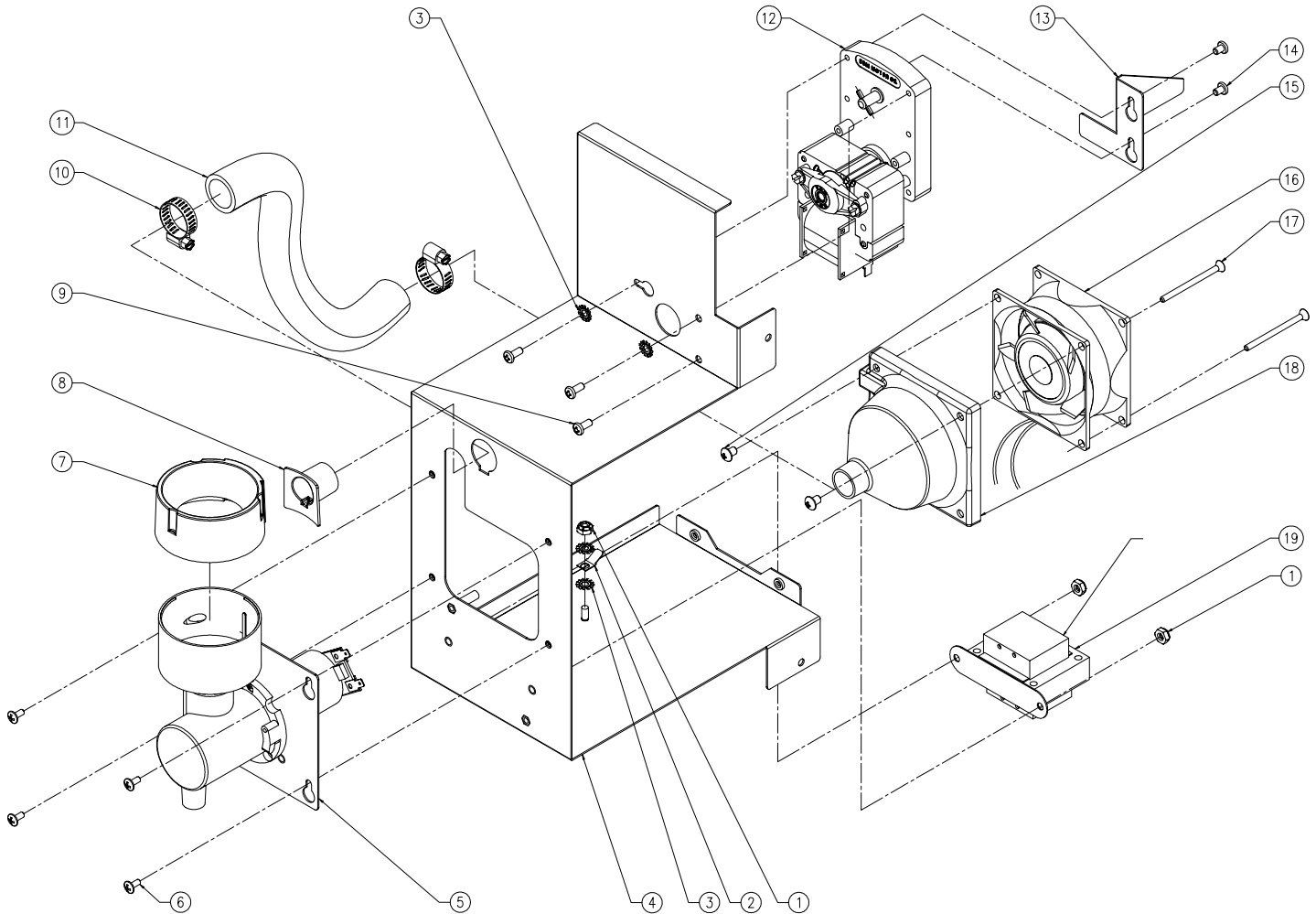
#	Description	Part #
1.	Bearing	M014071
2.	Shaft, Stub	K110217
3.	Auger	M027002
4.	Spout	M024035
5.	Screw, 6-32 x 1/2, TRS	T620841
6.	Hex Nut, 8-32	T008511
7.	Lockwasher, #8, Ext. Tooth	T008421
8.	Lock Nut, 6-32	T019184
9.	Spacer, Shaft	K110142
10.	Rod, Agitator	K013010
11.	Screw, 8-32 x 1/2, TRS	T820841
12.	Plate, Dispenser Wheel	K021376SS
13.	Screw, 6-32 x 1 1/4, PAN	T019561
14.	Scraper	K011239SS
15.	Spacer, Standoff	M019183
16.	Wheel, Agitator	M014048
17.	Lid, Dispenser	M024046
18.	Hopper	K410273
19.	Hairpin, Spring	M017016
20.	Yoke, Agitator	M024101

INSTALLATION INSTRUCTIONS FOR THE PICCOLINA AUXILIARY POWDER PRODUCT SYSTEM



#	Description	Part #
1.	Plate, Whipper	K011231C4
2.	Screw, 6-32 x ⁵ / ₁₆ , TRS	T620541
3.	Base, Whipper	M029070
4.	Propeller, Whipper	M019060
5.	Whipper Chamber	M029071
6.	Funnel, Whipper Chamber	K110309
7.	Screw, M3X8, PAN, Metric	T019722
8.	Lockwasher, #4, Int. Tooth	T004321
9.	Support, Whipper Motor	K021010C4
10.	Lockwasher, #8, Ext. Tooth	T008421
11.	Hex Nut, 8-32	T008511
12.	Insulation, Rubber	P110297
13.	Assembly, Whipper Motor	M029066

INSTALLATION INSTRUCTIONS FOR THE PICCOLINA AUXILIARY POWDER PRODUCT SYSTEM



#	Description	Part #
1.	Lock Nut, 8-32, SS	T019534
2.	Terminal, .250, Stud Mountable	M019559
3.	Lockwasher, #8, Ext. Tooth	T008421
4.	Plate, Separator	K041320C4
5.	Assembly, Whipper	C310347
6.	Screw, 6-32 x $\frac{5}{16}$, TRS	T620541
7.	Vacuum Funnel	M024036
8.	Vacuum Coupling	M014043
9.	Screw, 8-32 x $\frac{3}{8}$, RND	T820611
10.	Clamp, Metal, $\frac{3}{4}$	T019087
11.	Hose, Vacuum	K025009
12.	Assembly, Motor, Ingredient Dispenser	C110116
13.	Stopper, Valve	K011235C4
14.	Screw, 8-32 x $\frac{1}{4}$, PAN	T820491
15.	Screw, 10-32 x $\frac{1}{4}$, Round	T102041
16.	Fan, Exhaust	M029048
17.	Screw, 6-32 x 2, Flat	T019085
18.	Vacuum Duct	M034046
19.	Transformer, 20 VA	M018023

INSTALLATION INSTRUCTIONS FOR THE PICCOLINA AUXILIARY POWDER PRODUCT SYSTEM

LIST OF PICCOLINA APP POWDER PRODUCTS TESTED AT VKI

The following powder products were thoroughly tested at VKI and were deemed acceptable for use in the Piccolina APP. ***Please note that this is not a list of VKI approved suppliers – it is intended to be used as a reference.***

Product	Supplier	Format
Chocolate Flavour		
Hot Cocoa Mix	Nestle Carnation (USA)	1 lb
Hot Chocolate Mix	Nestle Carnation (Canada)	2 lbs
Chocolate	Van Houtte	1 lb
Extra Rich Gourmet Cocoa	Selection	2 lbs
Creamy Chocolate	Decadent	2 lbs
Filterfresh Dry Cocoa Mix	Hunt Wesson	1 lb
Flav-o-Ful	Dutch Mill	2 lbs
Great Italian Premium Hot Chocolate	Leonardo's	2 lbs
Vending Mix Cocoa	Swiss Miss	2 lbs
Vanilla Flavour		
French Vanilla	Supreme Bosquet Food	2 lbs
French Vanilla	Leonardo's	2 lbs
French Vanilla	Decadent	2 lbs
Killa Vanilla	Selection	2 lbs
Parisian Vanilla	Mother Parker	2 lbs
Other Flavours		
English Toffee (Great Italian Cappuccino)	Leonardo's	2 lbs
Outrageous Raspberry	Selection	2 lbs
Terrific Toffee	Mother Parker	2 lbs

NOTE:

These tests were performed under normal operation conditions. Any variation in these conditions may alter the performance of these products. Changes made to the powder product by the manufacturer of the product may also affect its performance in the equipment. Should this occur, it may be necessary to use a different product in the equipment. VKI Technologies is not responsible for any changes made to the powder products by the suppliers.