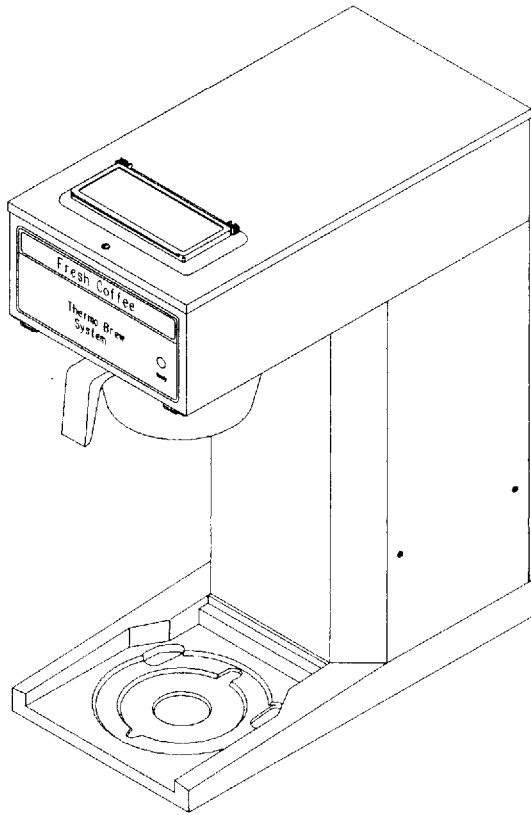


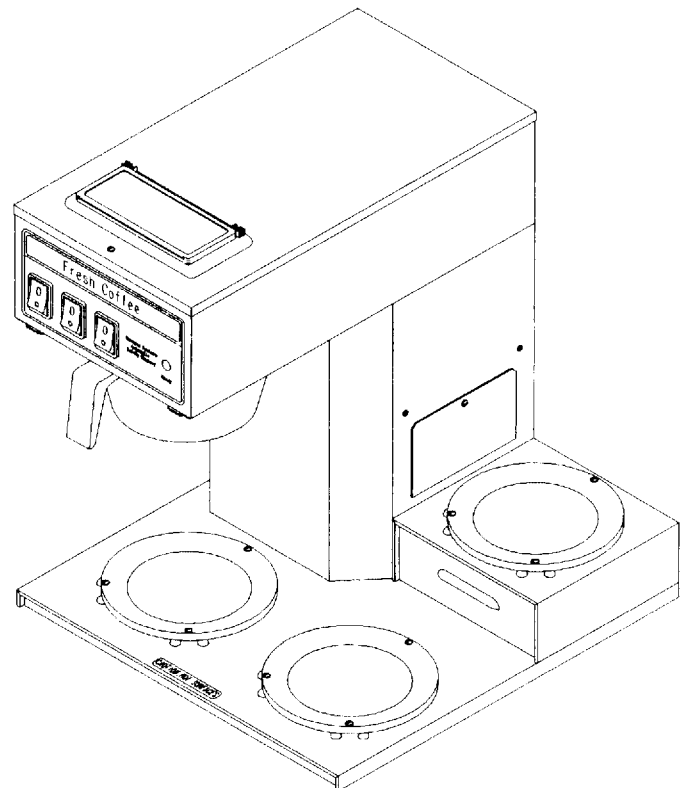
# NEWCO *AK SERIES*

## REPLACEMENT PARTS CATALOGUE



- AK-1
- AK-2
- AK-2AS
- AK-3
- AK-3AS
- AK-D
- AK-LD
- AK-TC
- AK-AP

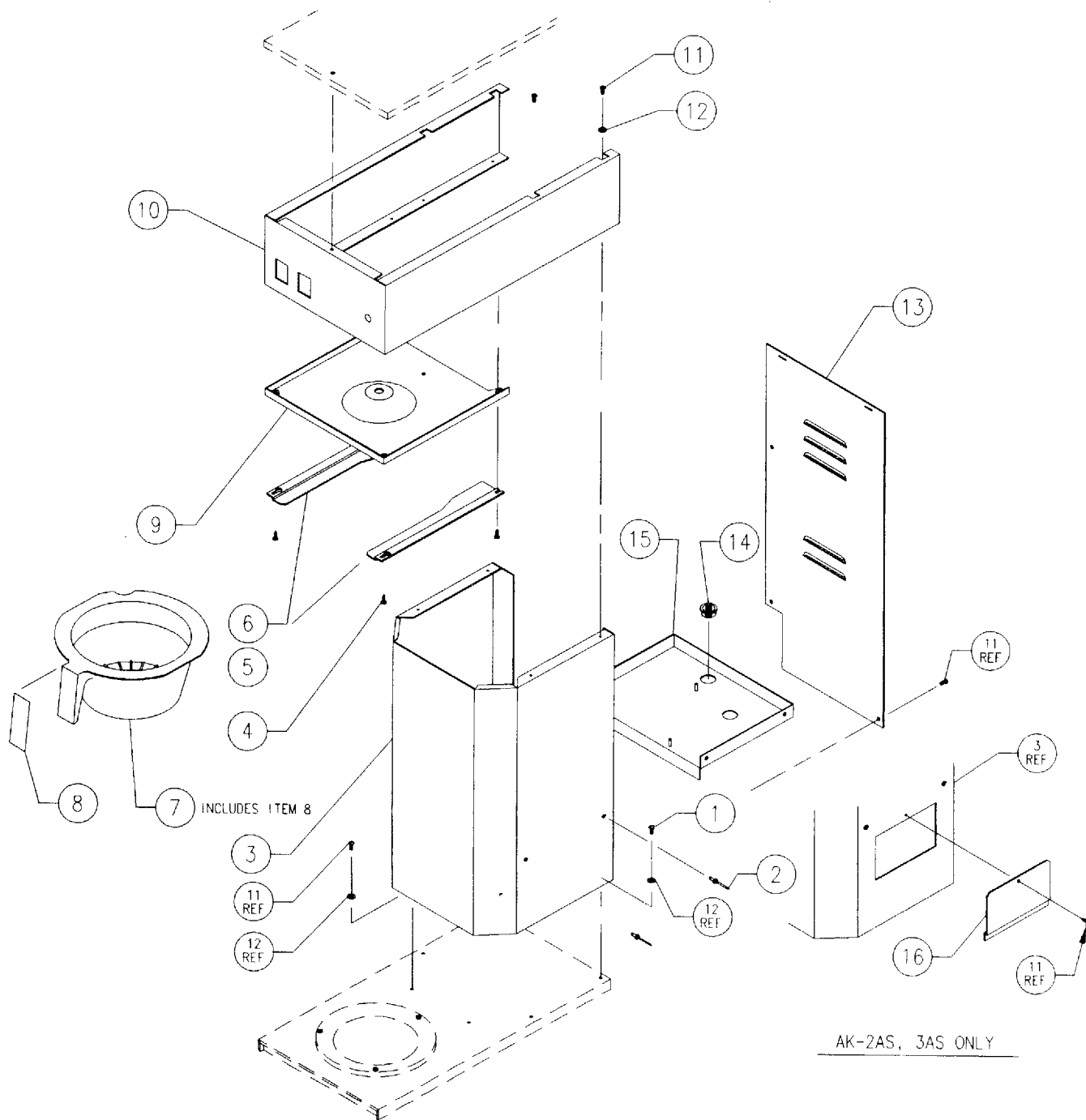
SEE REAR PANEL FOR  
MODEL ILLUSTRATIONS



# NEWCO Enterprises, inc.

1735 S. River Rd • St. Charles, MO 63303 • 1.800.325.7867 • FAX 636.925.0029

BODY ASSEMBLY

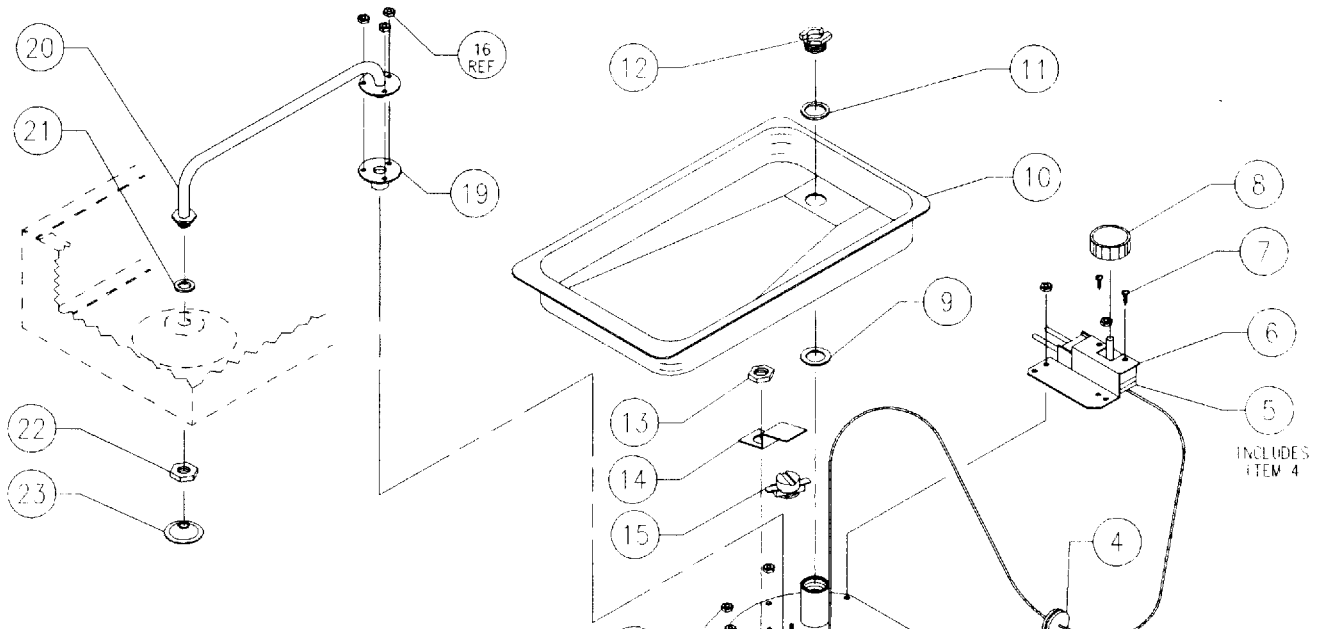


AK-2AS, 3AS ONLY

Item	Part No	Description
1	511027	Screw, 8-32 X 3/8"
2	100192	Rivet, Pop, Models D, LD, AP
3	101778	Column, 11.56", Models 1, 2, 3, TC
3	108013	Column, 11.56", Models 2AS, 3AS
3	101851	Column, 15.12", Model LD
3	110154	Column, 17.25", Models AP
3	101810	Column, 21.25", Models D
4	100065	Screw, 6-32 X 5/16"
5	102800	Brew Rail, LH
6	102799	Brew Rail, RH
7	110985	Brew Basket, Black - Includes item 8
8	110831	Label, Brew Basket
9	101777	Brew Plate
10	110081	Wrapper, Model 1

Item	Part No	Description
10	101707	Wrapper, Models 2, 2AS
10	101708	Wrapper, Models 3, 3AS
10	101709	Wrapper, Models TC, LD, AP, D
11	102333	Screw, 6-32 X 3/8"
12	100054	Washer, #8
13	101763	Panel, Back, Model 1, 2, 3, TC
13	101841	Panel, Back, Models 2AS, 3AS
13	101852	Panel, Back, Model LD
13	102243	Panel, Back, Model AP
13	101886	Panel, Back, Model D
14	100003	Bushing, 3/4" Snap, Models D, LD, AP
15	101742	Shelf, Tank, Models D, LD, AP
15	101712	Shelf, Tank, Model 1, 2, 2AS, 3, 3AS, TC
16	108014	Access Plate

TANK, RECEIVING PAN AND SPRAYHEAD ASSEMBLY

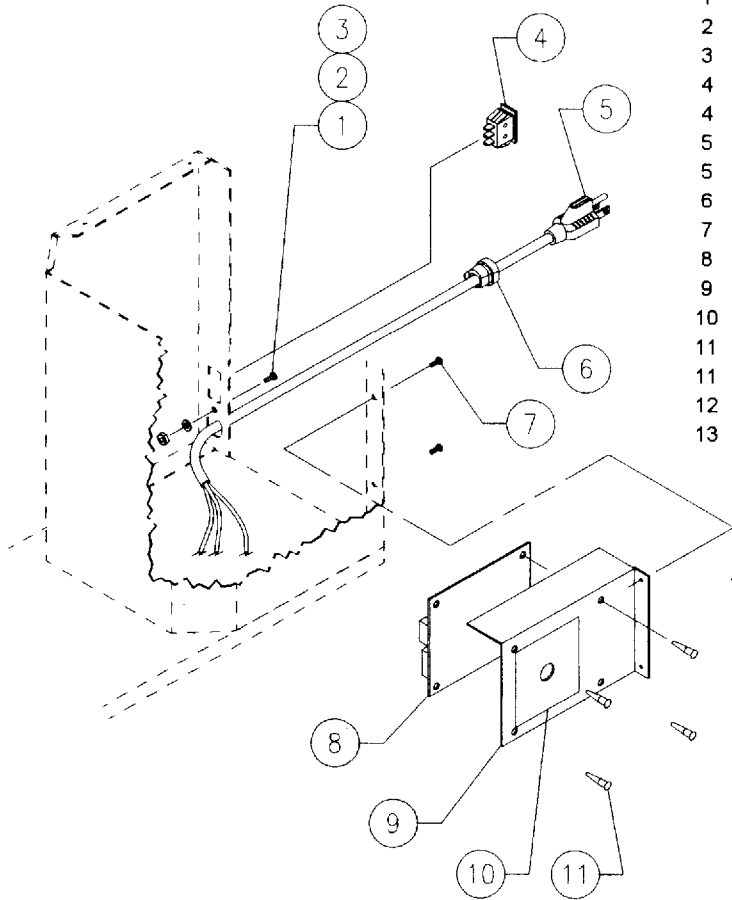


Part No	Description
101842	Tank Assy, 1400W, Models 1, 2, 2AS, 3, 3AS, TC
101842-SS	Tank Assy, 1400W, S/S, Models 1, 2, 2AS, 3, 3AS, TC
101857	Tank Assy, 1750W, Models LD, AP, D

the above tank assemblies contain all item numbers shown  
except for items 9-12, 22-23

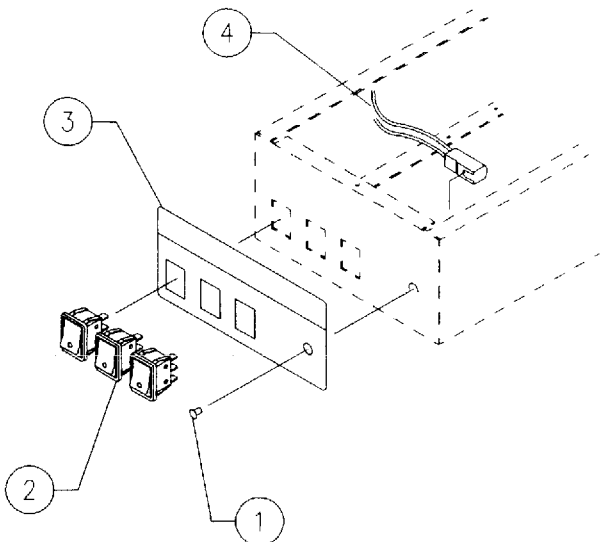
Item	Part No	Description
1	704119	Tank, Water
2	704221	Gasket, Tank
3	701170	Element, Tank, 1400W, Models 1, 2, 2AS, 3, 3AS, TC (Includes Items 13 And 18)
3	701170-SS	Element, Tank, 1400W, S/S, Models 1, 2, 2AS, 3, 3AS, TC (Includes Items 13 And 18)
3	202025	Element, Tank, 1750W, Models LD, AP, D (Includes Items 13 And 18)
4	100175	Grommet, Thermostat
5	101299	Thermostat, Regulating, Sun (Includes Item 4)
6	110056	Bracket, Thermostat, Sun
7	100065	Screw, #6-32 X 5/16"
8	100043	Knob, Thermostat
9	700016	Gasket, 1.062 OD X .578 ID, Silicone
10	700325	Receiving Pan
11	700015	Washer, 1" OD X 3/4" ID, S/S
12	701200	Nut, Slotted Hex, Brass
12	701200-SS	Nut, Slotted Hex, S/S
13	100190	Nut, Jam, 1/2-20
14	100143	Bracket, Hi-Limit Thermostat
15	100174	Thermostat, Hi-Limit
16	100061	Nut, Hex, 8-32
17	705214	Lid Assy, Tank
18	100409	Gasket, .515 ID, Brass
18	102172	Gasket, .515 ID, Teflon
19	781555	Gasket, Sprayhead Tube/Siphon
20	101726	Tube Assembly, Sprayhead, Brazed
20	101726-SS	Tube Assembly, Sprayhead, S/S
21	100025	Gasket, Sprayhead
22	201173	Nut, Sprayhead, 7/16-20
23	100024	Sprayhead

## ELECTRICAL CONNECTION AND CONTROL BOARD



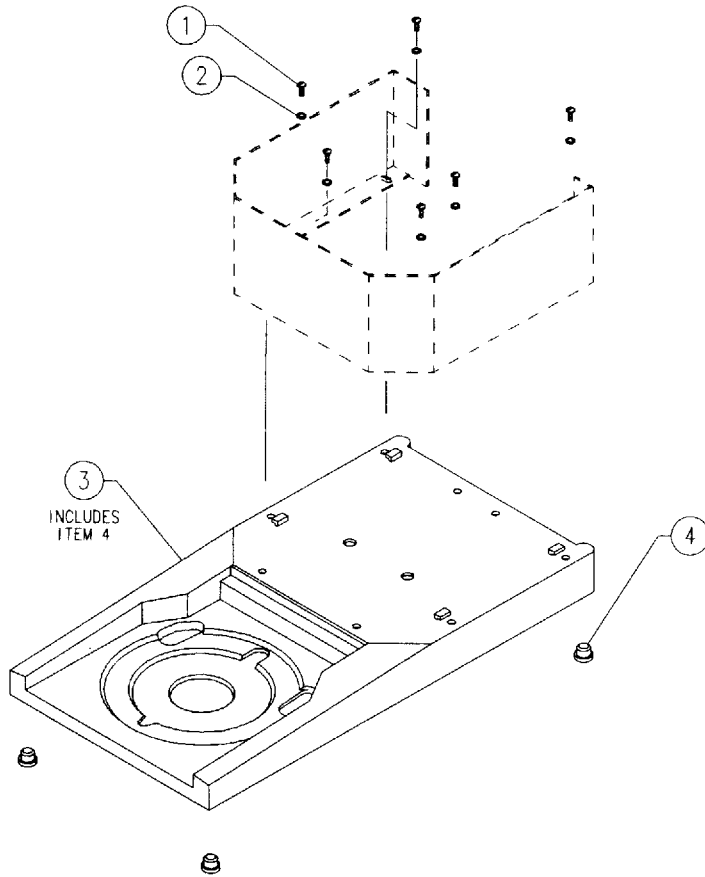
Item	Part No	Description
1	511027	Screw, 8-32 X 3/8"
2	100054	Washer, #8
3	100061	Nut, 8-32
4	100500	Switch, SPST, ON/OFF, Models 1, 2, 3, TC, LD, AP, D
4	100085	Switch, Lighted SPST, ON/OFF, Models 2AS, 3AS
5	100022	Cord, 15A 120V Power, Models 2AS, 3AS, TC, LD, AP, D
5	101055	Cord, 15A 120V Power, Models 1, 2, 3
6	101035	Grommet, Strain Relief, 15A Cord
7	102333	Screw, 6-32 X 3/8, Models 2AS, 3AS
8	101390	Control Board, Auto Shutoff, Models 2AS, 3AS
9	110038	Bracket, Control Board, Models 2AS, 3AS
10	101844	Label, Auto Shutoff, Models 2AS, 3AS
11	102844	Support, Snap In Type, Models 2AS, 3AS
11	110581	Support, Alternate Scr Mtd Type, Models 2AS, 3AS
12	100212	Washer, #6, Models 2AS, 3AS
13	102333	Screw, 6-32 X 3/8, Models 2AS, 3AS

## FACEPLATE SWITCHES AND LIGHT



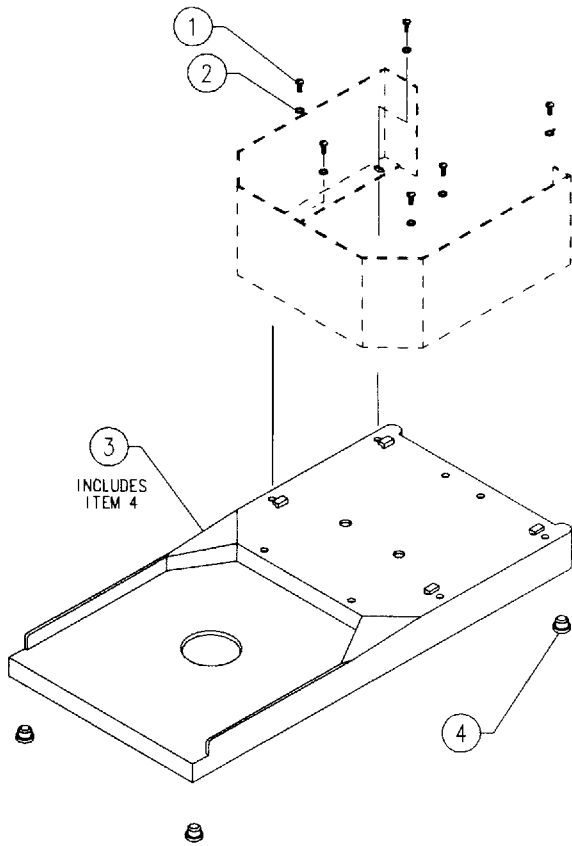
Item	Part No	Description
1	101698	Lens, Green
2	100085	Switch, Lighted SPST, ON/OFF, Model 1
2	781432	Switch, DPST W/Red Lamp, Models 2, 3
2	102562	Switch, SPST Momentary W/Red Lamp, Models 2AS, 3AS
3	100058	Nameplate, NEWCO, Model 1
3	511064	Label, Ready, Model 1
3	110057	Label, Switch Plate, Model 2
3	101717	Label, Switch Plate, Model 2AS
3	110058	Label, Switch Plate, Model 3
3	101718	Label, Switch Plate, Model 3AS
3	101719	Label, Switch Plate, Models TC, LD, AP, D
4	110130	Light Assy, Heating

THERMAL MODEL ABS BASE ASSEMBLIES



**BASE ASSEMBLY, MODELS AP, LD, TC**

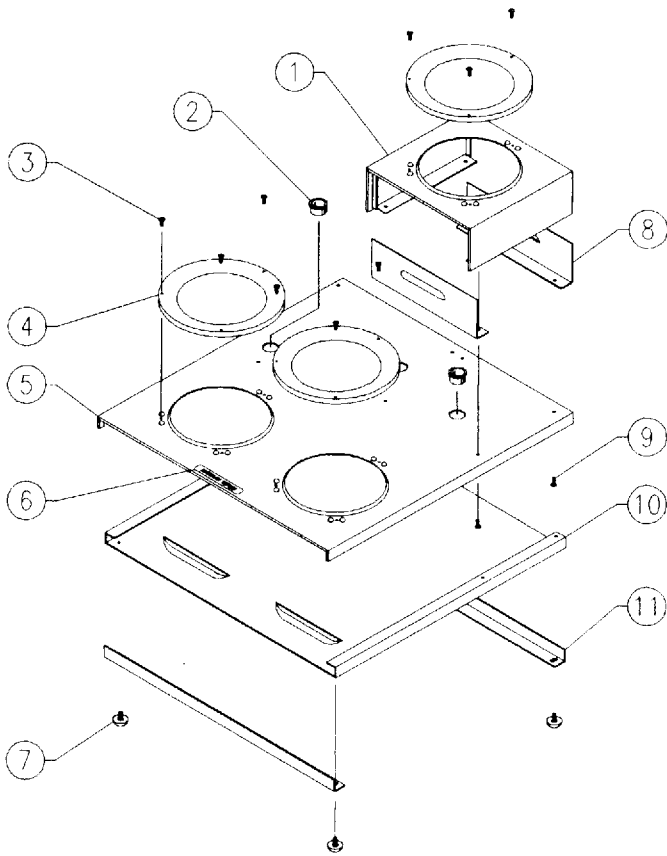
Item	Part No	Description
1	110359	Screw, #8 Thread Forming
2	100054	Washer, #8
3	110360	Base, Molded, Black (includes item 4)
4	100665	Rubber Toe



**BASE ASSEMBLY, MODEL D**

Item	Part No	Description
1	110359	Screw, #8 Thread Forming
2	100054	Washer, #8
3	110365	Base, Molded, Black (includes item 4)
4	100665	Rubber Toe

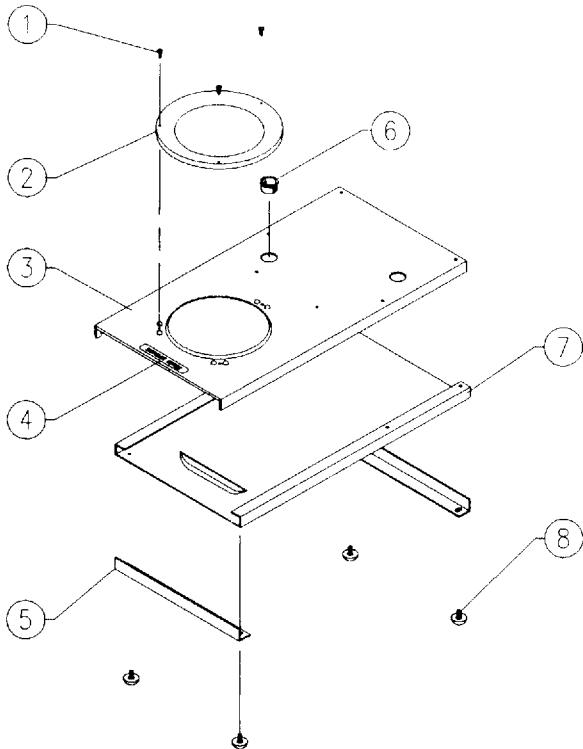
WARMER MODEL BASE ASSEMBLIES



**BASE ASSEMBLY, MODELS 3, 3AS**

Item	Part No	Description
1	100316	Step Up, Warmer
2	100003	Bushing, 3/4" Snap
3	100160	Screw, 4-40 X 5/8"
4	100010	Warming Plate Assembly, Black 120V 100W
5	102811	Base Top
6	100254	Decal, "CAUTION:HOT SURFACES"
7	100078	Foot, Bumper
8	102845	Plate, Warmer Step Up Louvred Trim
9	102333	Screw, 6-32 X 3/8"
10	102814	Base Bottom
11	102826*	Plate, Base Trim

\*Part number shown is for stainless steel version. When ordering, add -B to part number for black parts were available.

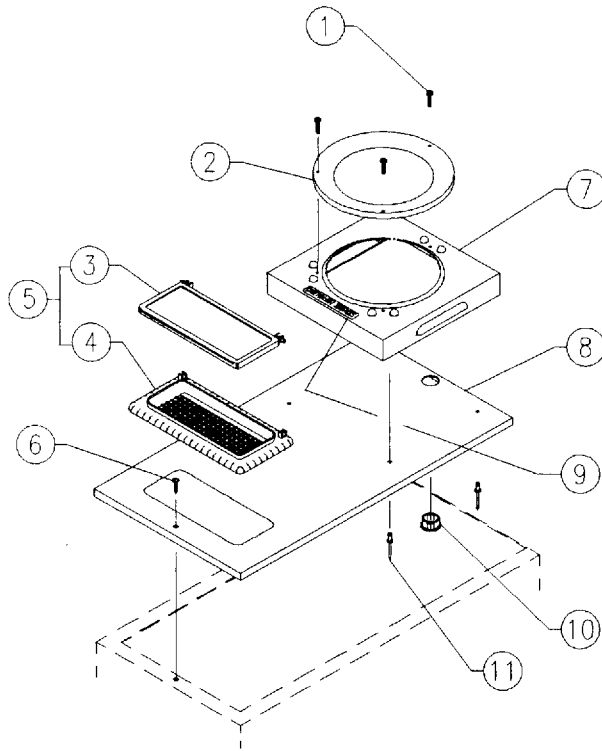


**BASE ASSEMBLY, MODELS 1, 2, 2AS**

Item	Part No	Description
1	100160	Screw, 4-40 X 5/8"
2	100010	Warming Plate Assembly, Black 120V 100W
3	102792	Base Top
4	100254	Decal, "CAUTION:HOT SURFACES"
5	102825*	Plate, Base Trim
6	100003	Bushing, 3/4" Snap
7	102794	Base Bottom
8	100078	Foot, Bumper

\*Part number shown is for stainless steel version. When ordering, add -B to part number for black parts were available.

COVER ASSEMBLY



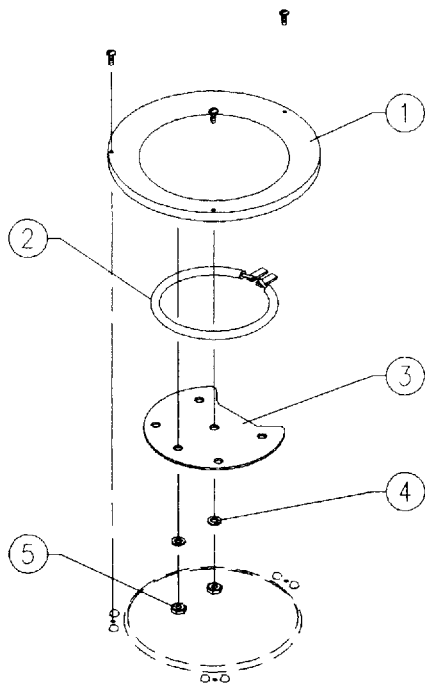
**COVER ASSEMBLY, 1 STATION WARMER**

Item	Part No	Description
1	100160	Screw, 4-40 X 5/8
2	100010	Warming Plate Assembly, Black, 100W 120V
3	110624	Cover, Black Plastic
4	110623	Grid, Black Plastic
5	110625	Cover And Grid Assembly, Black Plastic
6	102333	Screw, 6-32 X 3/8
7	705371	Stove, 1 Station
8	110681	Cover, 1 Station
9	100254	Decal, "CAUTION: HOT SURFACES"
10	100003	Bushing, 3/4" Snap
11	100192	Rivet, Pop

**COVER ASSEMBLY, PLAIN**

Item	Part No	Description
3	110624	Cover, Black Plastic
4	110623	Grid, Black Plastic
5	110625	Cover And Grid Assembly, Black Plastic
6	102333	Screw, 6-32 X 3/8
8	110682	Cover, Plain

WARMER ASSEMBLY



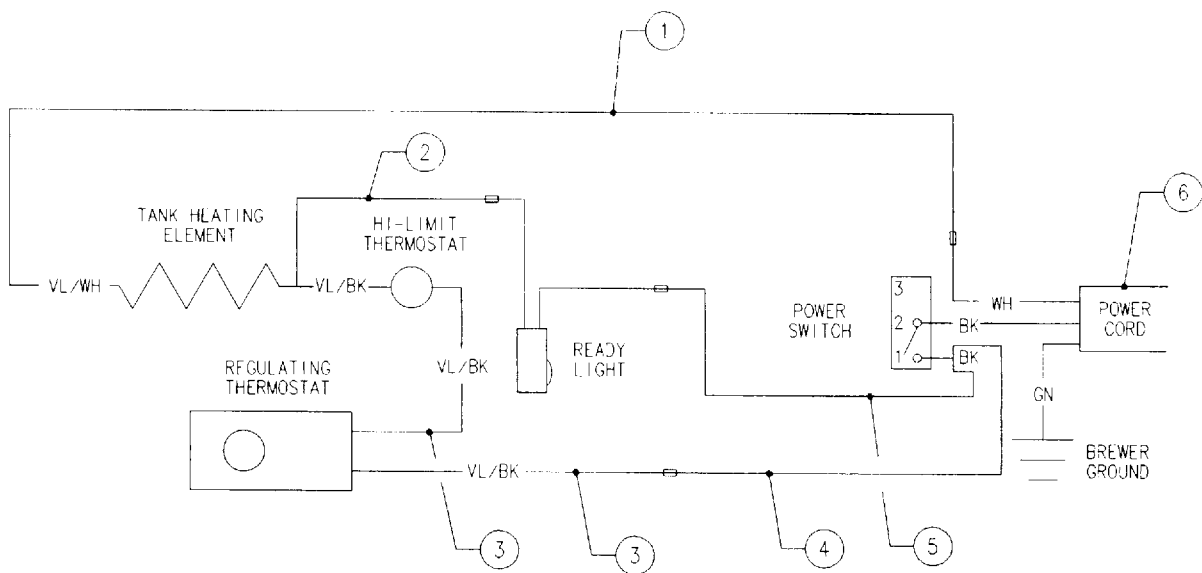
Item	Part No	Description
1	100008	Plate, Warmer, Black Porcelainized
2	100187	Element, 100W 120V
3	100086	Plate, Element Support
4	100054	Warsher, #8 Lock
5	100061	Nut, Hex, 8-32

# WIRING HARNESSES AND WIRE ASSEMBLIES

Item numbers in table below correlate to leader numbers in wiring diagrams on pages 8 and 9

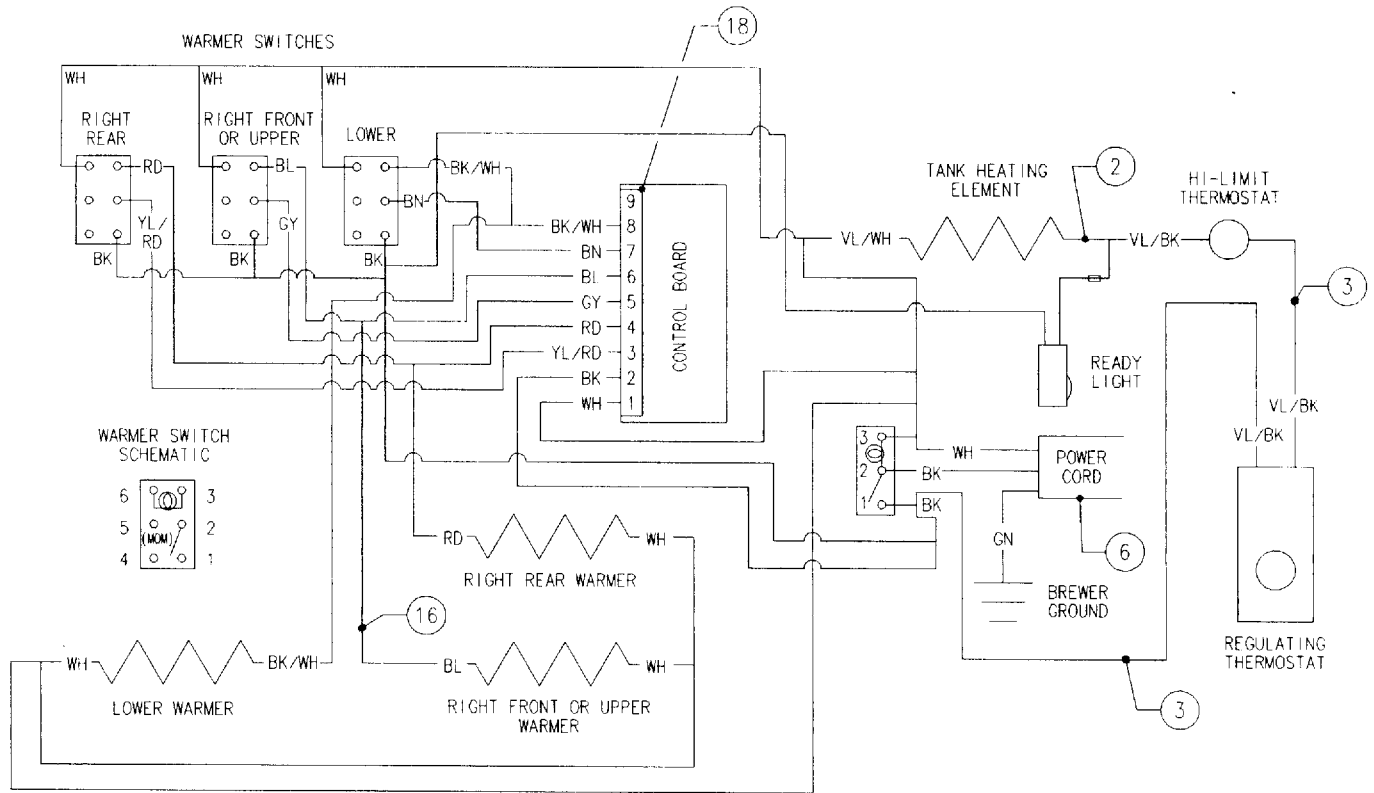
Item	Part No	Description	AK-1	AK-2	AK-2AS	AK-3	AK-3AS	AK-D	AK-AP	AK-LD	AK-TC
1	152394	Lead, 14Ga, Vio/Wh, 24", 1S-1						X	X	X	X
2	101751	Harness, Black, Tank	X	X	X	X	X	X	X	X	X
3	100261	Lead, 14Ga, Vio/Bk, 12", 1S-3BS	X	X	X	X	X	X	X	X	X
4	103035	Lead, 14Ga, Vio/Bk, 8", 1S-1						X	X	X	
5	152244	Lead, 18Ga, Bk, 29", 1-1	X					X	X	X	X
6	100022	Cord, 15A 120V Power			X		X	X	X	X	X
7	101783	Harness, Main, W/Power Cord	X	X							
7	101349	Harness, Main, W/Power Cord				X					
8	101824	Harness, White, Base				X					
9	101821	Harness, Black, Switch				X					
9	101801	Harness, Black, Switch		X							
10	101823	Lead, 18Ga, Rd, 38", 1-2				X					
11	705765	Lead, 18Ga, Rd, 4", 1-1D				X					
12	101822	Lead, 18Ga, Bl, 36", 1-2				X					
13	705709	Lead, 18Ga, Bl, 4", 1-1D		X		X					
14	700488	Lead, 18Ga, Bk, 34", 1-2				X					
15	110067	Lead, 18Ga, Bk, 4", 1-1D		X		X					
16	101781	Harness, Cover, W/Connector		X	X						
17	101782	Harness, Base, W/Connector	X	X							
18	101880	Harness, Main					X				
18	101855	Harness, Main			X						

## WIRING DIAGRAM - THERMAL MODELS

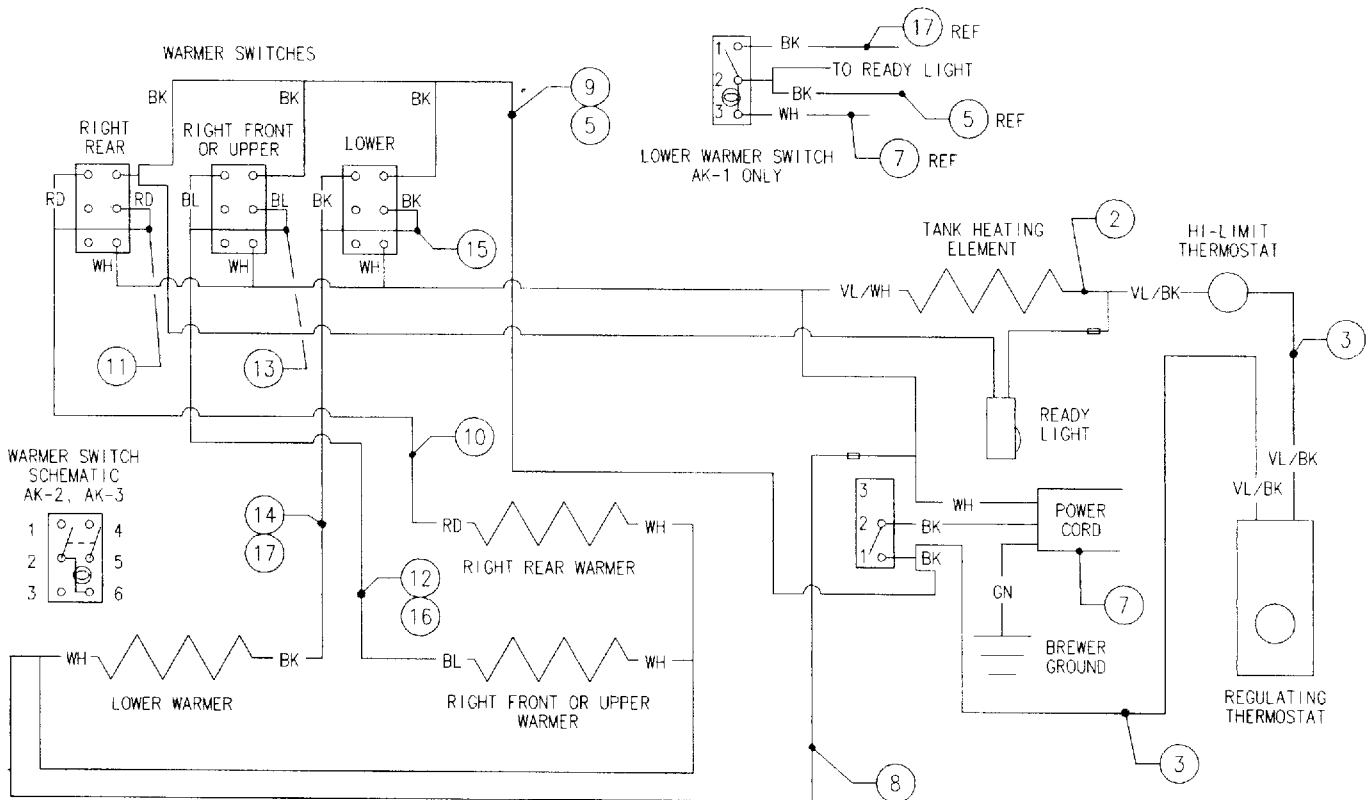




WIRING DIAGRAM - WARMER MODELS WITH AUTO WARMER SHUTOFF

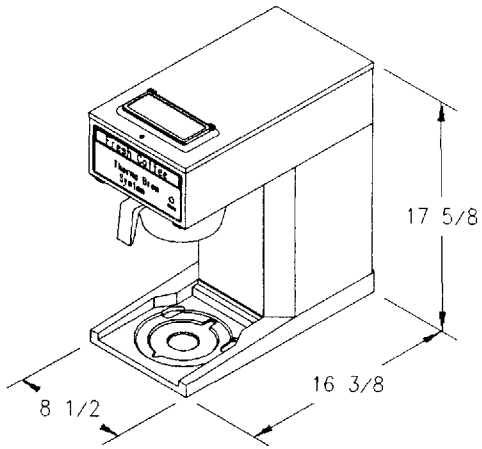


WIRING DIAGRAM - WARMER MODELS W/O AUTO WARMER SHUTOFF

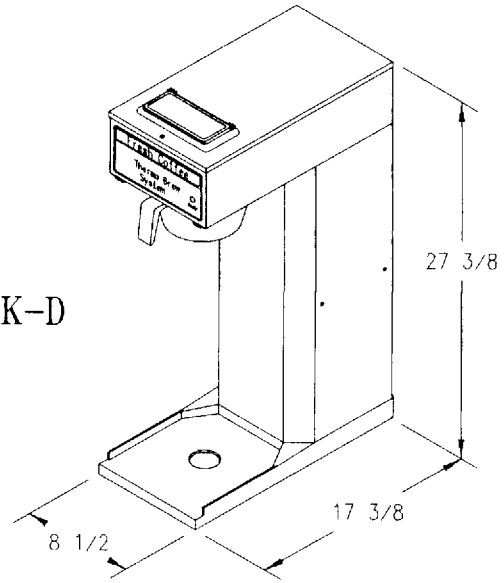


MODEL ILLUSTRATIONS

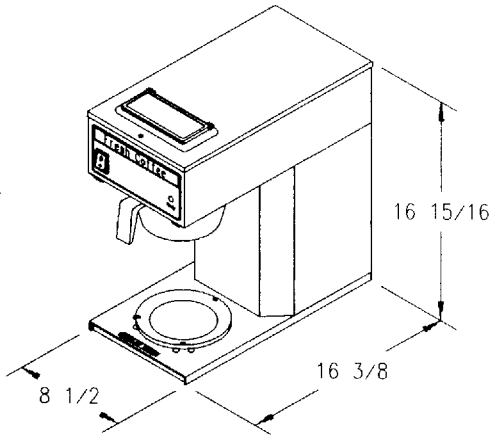
AK-TC



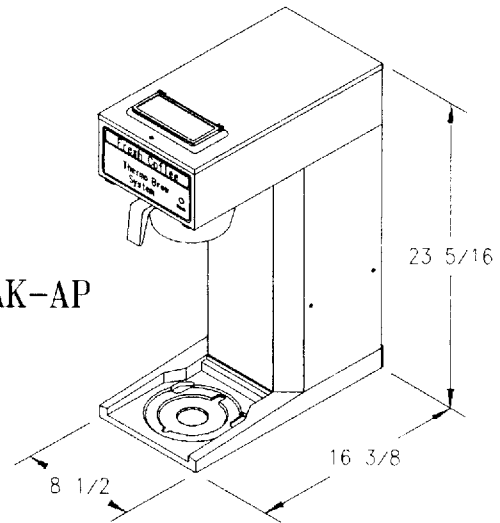
AK-D



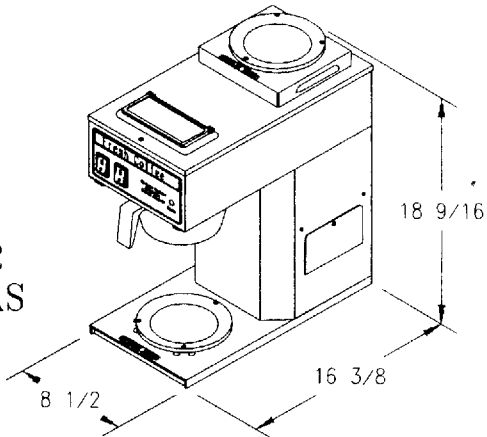
AK-1



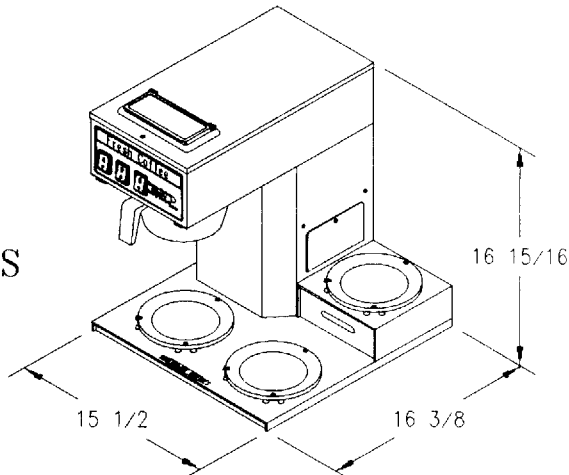
AK-AP



AK-2  
AK-2AS



AK-3  
AK-3AS



AK-LD

