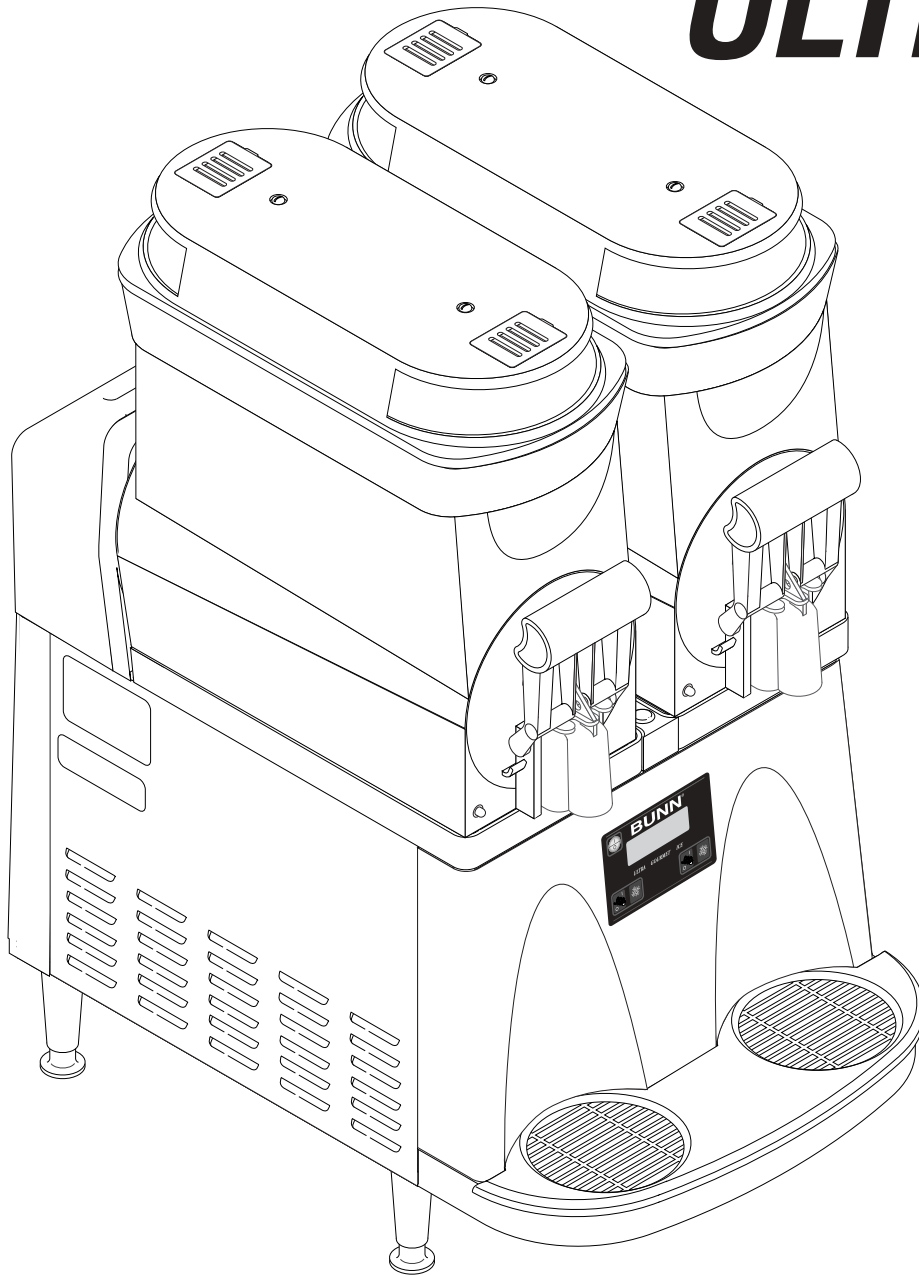


BUNN®

ULTRA-2



ILLUSTRATED PARTS CATALOG

Designs, materials, weights, specifications, and dimensions for equipment or replacement parts are subject to change without notice.

BUNN-O-MATIC CORPORATION

POST OFFICE BOX 3227

SPRINGFIELD, ILLINOIS 62708-3227

PHONE: (217) 529-6601 FAX: (217) 529-6644

BUNN-O-MATIC COMMERCIAL PRODUCT WARRANTY

Bunn-O-Matic Corp. ("BUNN") warrants equipment manufactured by it as follows:

- 1) All equipment other than as specified below: 2 years parts and 1 year labor.
- 2) Electronic circuit and/or control boards: parts and labor for 3 years.
- 3) Compressors on refrigeration equipment: 5 years parts and 1 year labor.
- 4) Grinding burrs on coffee grinding equipment to grind coffee to meet original factory screen sieve analysis: parts and labor for 3 years or 30,000 pounds of coffee, whichever comes first.

These warranty periods run from the date of installation BUNN warrants that the equipment manufactured by it will be commercially free of defects in material and workmanship existing at the time of manufacture and appearing within the applicable warranty period. This warranty does not apply to any equipment, component or part that was not manufactured by BUNN or that, in BUNN's judgment, has been affected by misuse, neglect, alteration, improper installation or operation, improper maintenance or repair, damage or casualty. This warranty is conditioned on the Buyer 1) giving BUNN prompt notice of any claim to be made under this warranty by telephone at (217) 529-6601 or by writing to Post Office Box 3227, Springfield, Illinois 62708-3227; 2) if requested by BUNN, shipping the defective equipment prepaid to an authorized BUNN service location; and 3) receiving prior authorization from BUNN that the defective equipment is under warranty.

THE FOREGOING WARRANTY IS EXCLUSIVE AND IS IN LIEU OF ANY OTHER WARRANTY, WRITTEN OR ORAL, EXPRESS OR IMPLIED, INCLUDING, BUT NOT LIMITED TO, ANY IMPLIED WARRANTY OF EITHER MERCHANTABILITY OR FITNESS FOR A PARTICULAR PURPOSE. The agents, dealers or employees of BUNN are not authorized to make modifications to this warranty or to make additional warranties that are binding on BUNN. Accordingly, statements by such individuals, whether oral or written, do not constitute warranties and should not be relied upon.

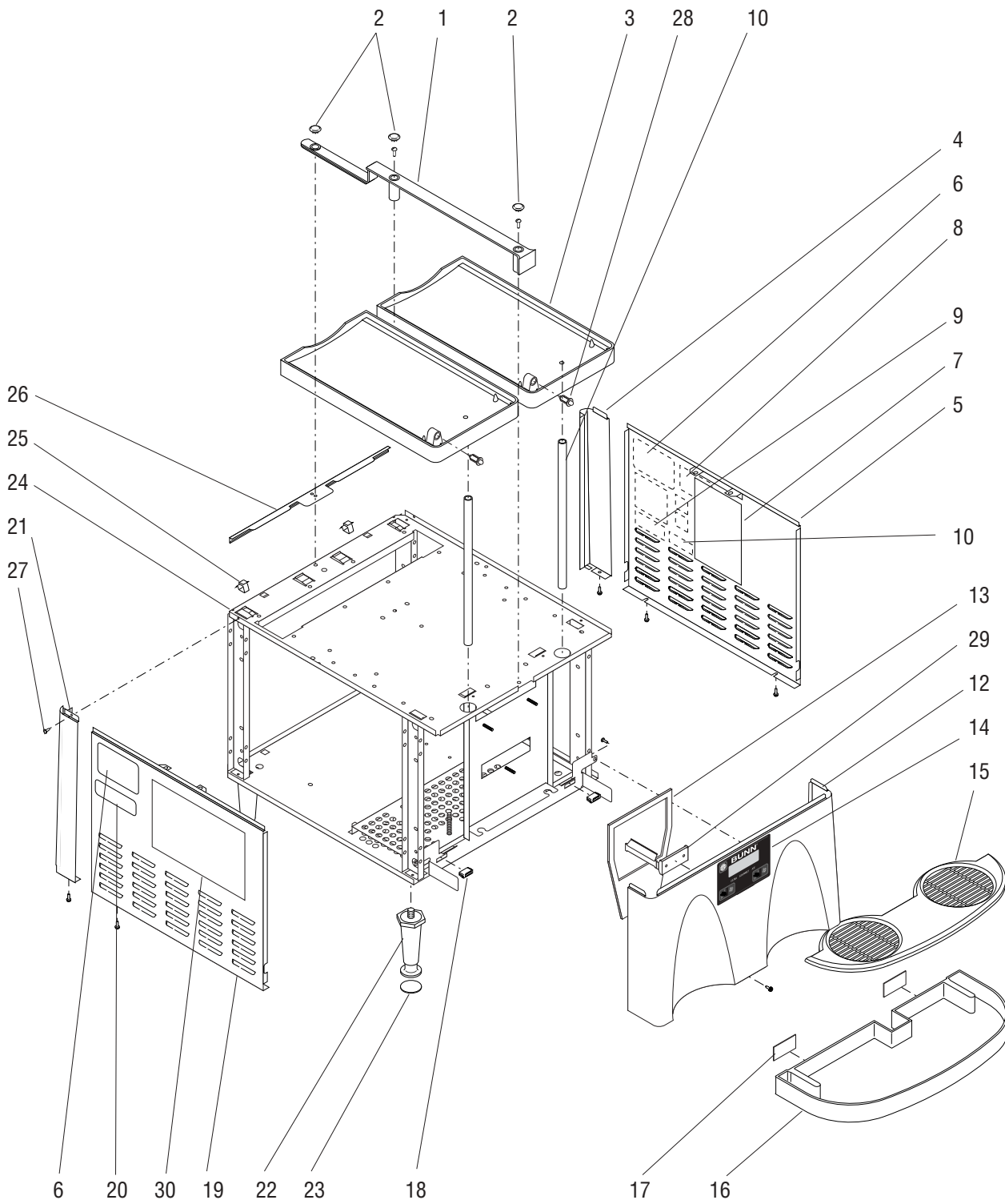
If BUNN determines in its sole discretion that the equipment does not conform to the warranty, BUNN, at its exclusive option while the equipment is under warranty, shall either 1) provide at no charge replacement parts and/or labor (during the applicable parts and labor warranty periods specified above) to repair the defective components, provided that this repair is done by a BUNN Authorized Service Representative; or 2) shall replace the equipment or refund the purchase price for the equipment.

THE BUYER'S REMEDY AGAINST BUNN FOR THE BREACH OF ANY OBLIGATION ARISING OUT OF THE SALE OF THIS EQUIPMENT, WHETHER DERIVED FROM WARRANTY OR OTHERWISE, SHALL BE LIMITED, AT BUNN'S SOLE OPTION AS SPECIFIED HEREIN, TO REPAIR, REPLACEMENT OR REFUND.

In no event shall BUNN be liable for any other damage or loss, including, but not limited to, lost profits, lost sales, loss of use of equipment, claims of Buyer's customers, cost of capital, cost of down time, cost of substitute equipment, facilities or services, or any other special, incidental or consequential damages.

TABLE OF CONTENTS

Auger Drive and Cooling Drum	12
Compressor and Mounting	16
Condenser and Fan Mounting	14
Electrical and Operating Controls	20
Frame, Panels and Drip Tray	4
Hopper, Cover and Faucet	8
Numerical Index	22
PAF Platform Assembly	10
Solenoid and Coolant Piping	18

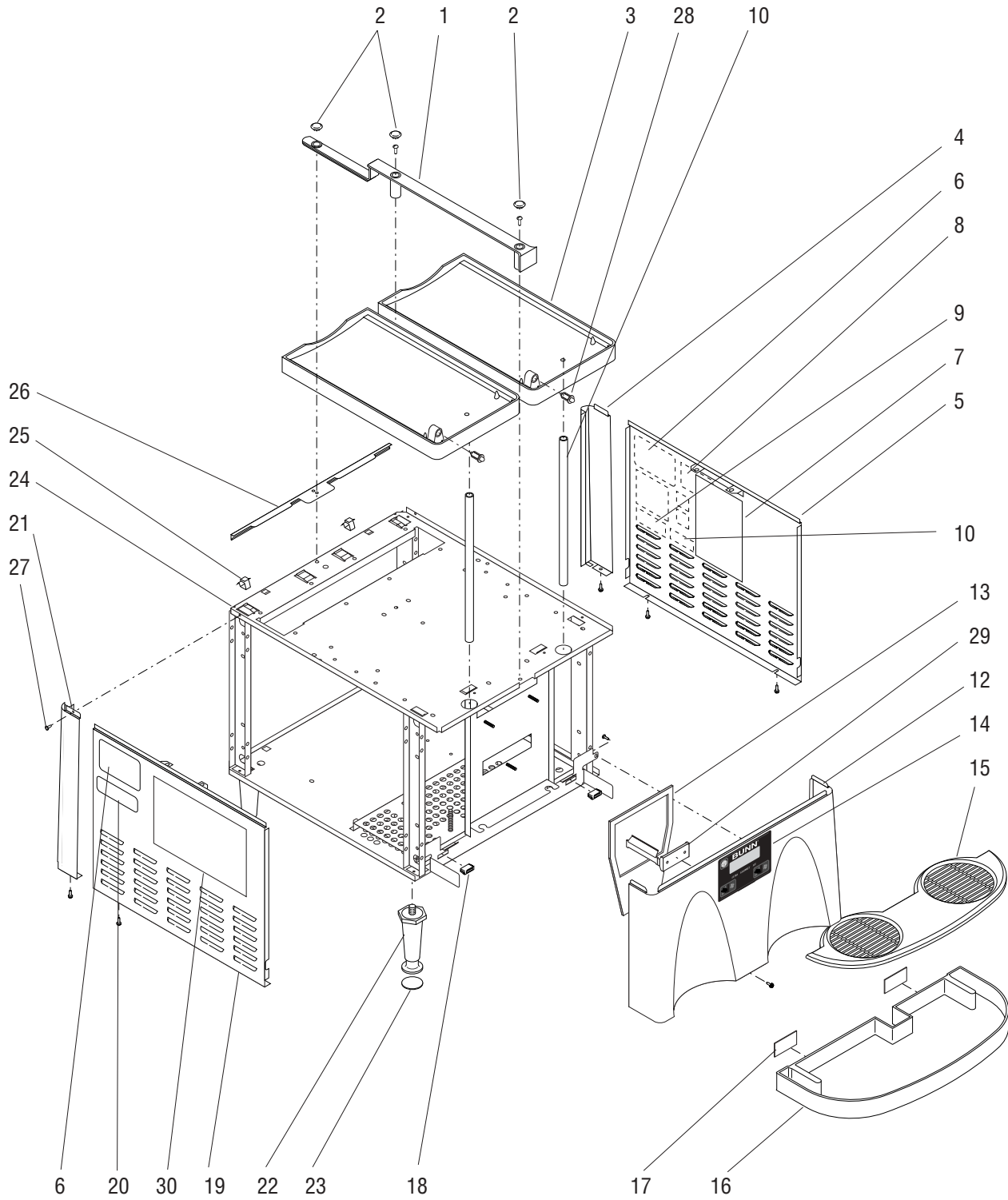


FRAME, PANELS AND DRIP TRAYS

ITEM	PART NO.	QTY.	DESCRIPTION
1	27136.0002	1	Trim, Hopper/Drip Tray - WHI
	27136.0003	1	Trim, Hopper/Drip Tray - BLK
	02329.0000	2	Screw, Round Head - Locking #8-32 x .312"
2	27394.0000	3	Plug, Plastic - WHI
	27394.0001	3	Plug, Nylon - BLK
3	32111.0000	1	Drip Tray, Left Hopper - WHI
	32111.0001	1	Drip Tray, Left Hopper - BLK
	32111.0002	1	Drip Tray, Right Hopper - WHI
	32111.0003	1	Drip Tray, Right Hopper - BLK
	01311.0001	8	Screw, Truss Head - Locking #8-32 x .25"
4	27058.0000	1	Corner, Right Rear - SST
	27058.0002	1	Corner, Right Rear - BLK
	32580.0000	1	Screw, Hex Head #6-32 x .25"
5	32101.1000	1	Panel W/Decals, Right Side - SST (Includes items 6,7,8,9 & 10) (ULTRA-2)
	32101.1001	1	Panel W/Decals, Right Side - SST (Includes items 6,8,9 & 10) (ULTRA-2A)
	32101.1002	1	Panel W/Decals, Right Side - BLK (Includes items 6,7,8,9 & 10) (ULTRA-2)
	32101.1003	1	Panel W/Decals, Right Side - BLK (Includes items 6,8,9 & 10) (ULTRA-2A)
	32580.0000	2	Screw, Hex Head #6-32 x .25"
6	27442.0000	2	Decal, Warning - Moving Parts
7	32082.0000	1	Schematic, Electrical 120V (ULTRA-2)
	-----	1	Schematic, Electrical 230V (ULTRA-2A)
8	00986.0002	1	Decal, Warning - Electrical
9	29947.0000	1	Decal, Caution - Two Power Cords
10	29979.0000	1	Decal, Room Temperature
11	-----	2	Tube, Drain .375" I.D. x .50" O.D. x 10.88" (Order item 32)
12	32116.1000	1	Panel, Front - SST (Includes items 13,14 & 29)
	32116.1001	1	Panel, Front - BLK (Includes items 13,14 & 29)
	32580.0000	1	Screw, Hex Head #6 x .25"
	01317.0003	2	Screw, Truss Head - Locking #8-32 x .375"
13	29967.0000	1	Gasket, Electronic Box
14	32126.0001	1	Membrane Switch - BLK
15	32068.0000	1	Cover, Lower Drip Tray - WHI
	32068.0001	1	Cover, Lower Drip Tray - BLK
16	28086.0000	1	Drip Tray, Lower - WHI (Includes item 17)
	28086.0001	1	Drip Tray, Lower - BLK (Includes item 17)
17	21437.1000	2	Strike Assy, Self Adhesive
18	21436.0000	2	Catch, Magnetic
19	32101.1004	1	Panel W/Decals, Left Side - SST (Includes items 6,20 & 30) (ULTRA-2)
	32101.1005	1	Panel W/Decals, Left Side - SST (Includes items 6,20 & 30) (ULTRA-2A)
	32101.1006	1	Panel W/Decals, Left Side - BLK (Includes items 6,20 & 30) (ULTRA-2)
	32101.1007	1	Panel W/Decals, Left Side - BLK (Includes items 6,20 & 30) (ULTRA-2A)
	32580.0000	2	Screw, Hex Head #6-32 x .25"

(Continued)

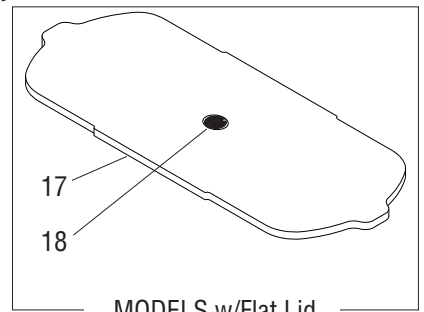
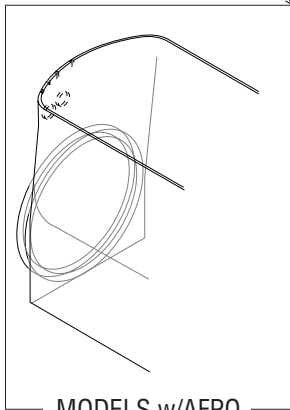
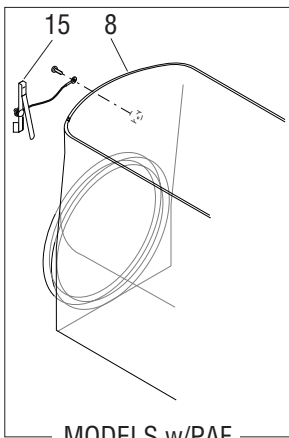
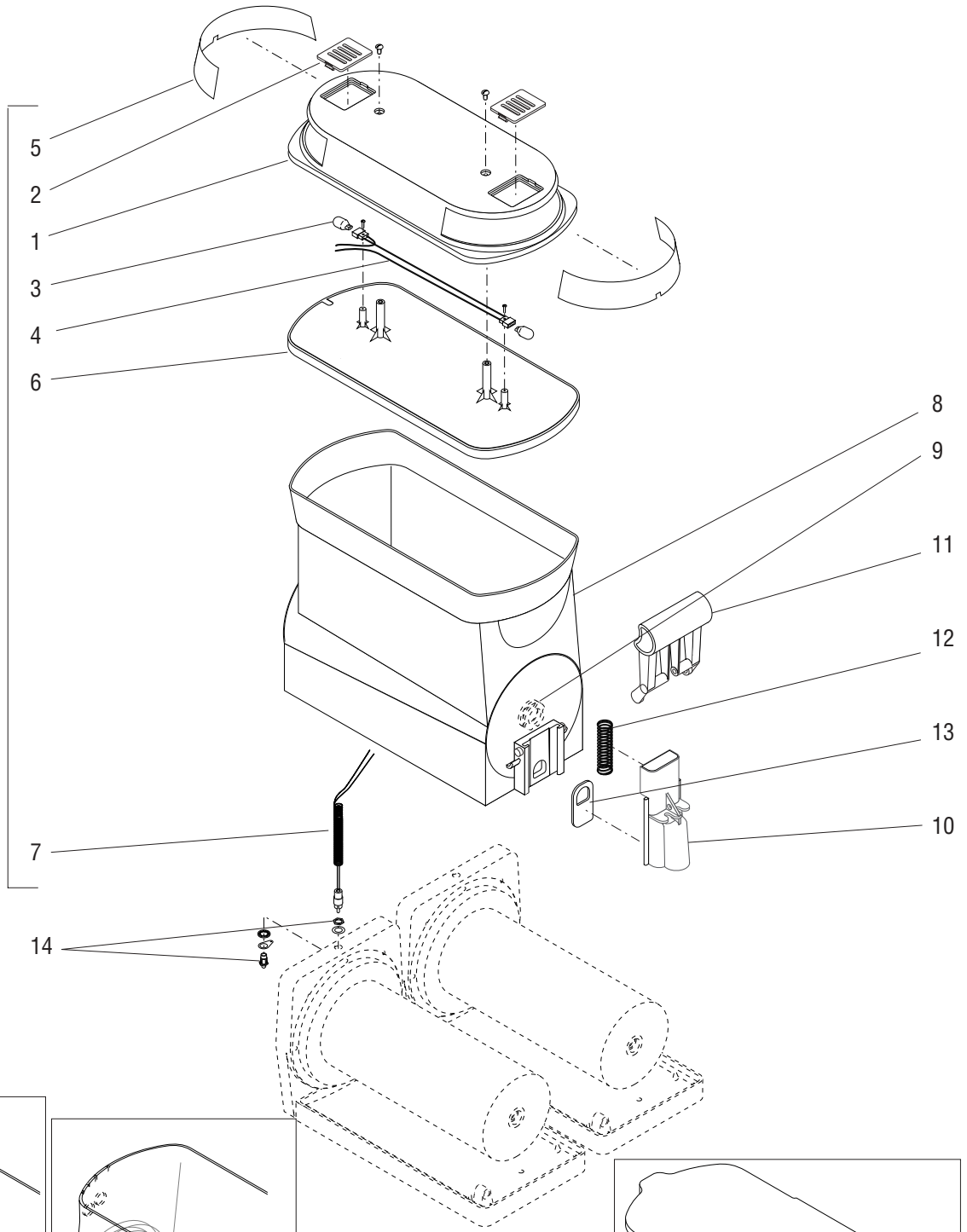
(Continued)



FRAME, PANELS AND DRIP TRAYS

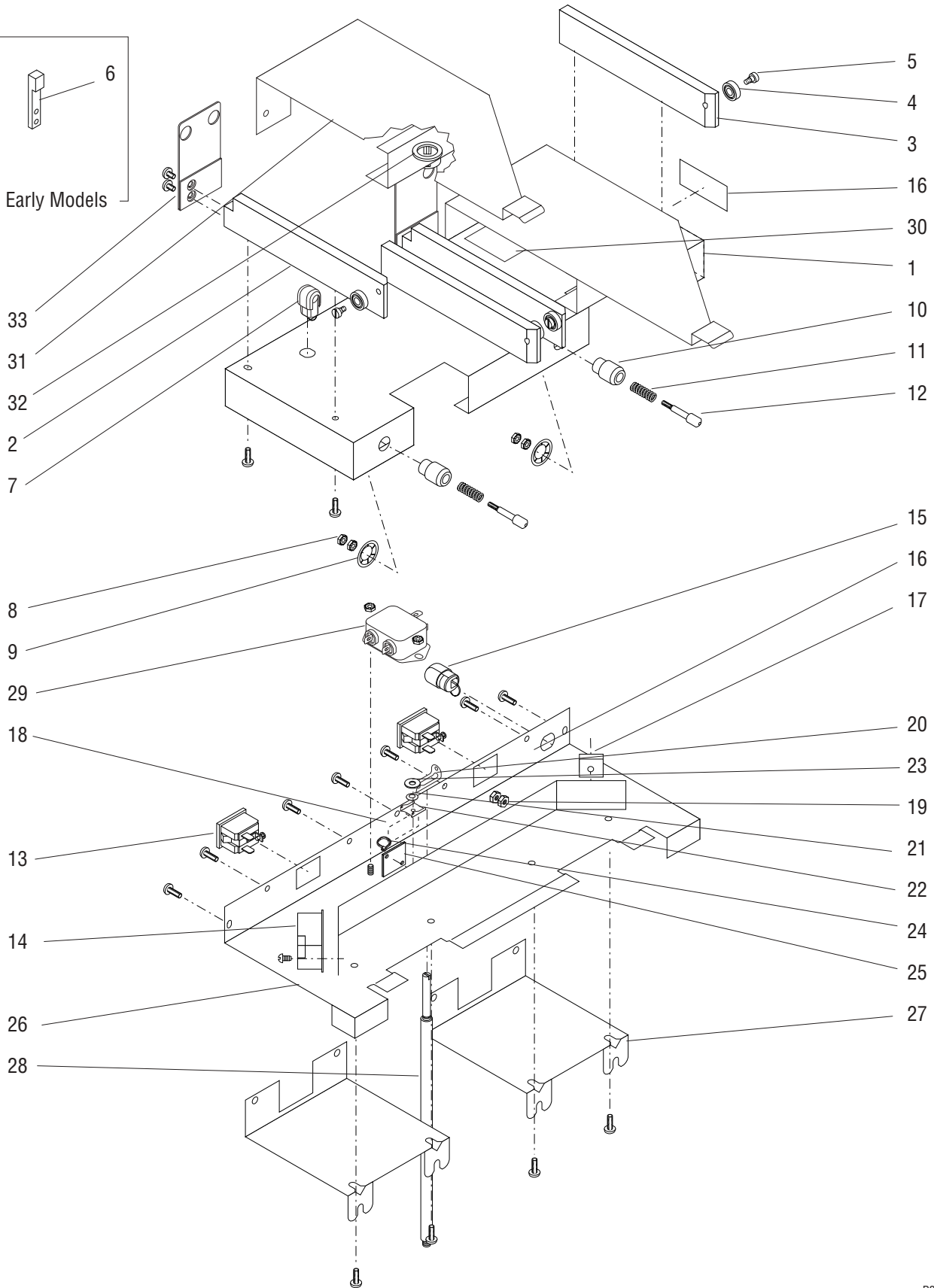
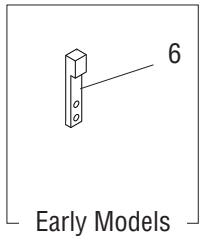
ITEM	PART NO.	QTY.	DESCRIPTION
20	32162.0000	1	Decal, Coolant Charge (ULTRA-2)
	29373.0000	1	Decal, Coolant Charge (ULTRA-2A)
21	27058.0001	1	Corner, Left Rear - SST
	27058.0003	1	Corner, Left Rear - BLK
	32580.0000	1	Screw, Hex Head #6 x .25"
22	26528.0000	4	Leg, Black Plastic - 4" Adj. (See item 31)
	03354.0000	4	Leg, Black Plastic - 2.5" Adj. (See item 31)
23	03996.0000	4	Pad, Rubber - 4" Adj. Legs (See item 31)
	03993.0000	4	Pad, Rubber - 2.5" Adj. Legs (See item 31)
24	32124.0000	1	Frame, Base (Models with AMERICOLD compressors)
	32793.0000	1	Frame, Base (Models with EMBRACO compressors)
25	00927.0000	4	Clip, Spring
26	27131.0000	1	Trim, Frame - Rear - SST
	27131.0001	1	Trim, Frame - Rear - BLK
27	28098.0000	2	Fastener, Snap-in
28	29702.1000	2	Plunger Assy, Hopper Lock
29	29976.0000	1	Mount, Cable
30	29959.0001	1	Decal, Cleaning Instructions
31	13255.0003	-	Leg Kit, 4" Adj. Legs (Includes 4 Legs and Pads)
	13255.0006	-	Leg Kit, 2.5" Adj. Legs (Includes 4 Legs and Pads)
32	12421.1001	-	Tube, Clear Vinyl (12" Long)
	12421.1002	-	Tube, Clear Vinyl (60" Long)
	12421.1003	-	Tube, Clear Vinyl (120" Long)

Not Illustrated



HOPPER, COVER AND FAUCET

ITEM	PART NO.	QTY.	DESCRIPTION
-	32196.1000	2	Cover, Hopper - WHI (Includes items 1 thru 7)
	32196.1001	2	Cover, Hopper - BLK (Includes items 1 thru 7)
1	32196.0000	2	Cover, Hopper - WHI
	32196.0001	2	Cover, Hopper - BLK
	01315.0000	4	Screw, Truss Head #8-32 x .38"
2	32105.0000	4	Insert, Hopper Lid Vent - WHI
	32105.0001	4	Insert, Hopper Lid Vent - BLK
3	27446.0000	4	Lamp, T-5 Wedge Base
4	27445.1000	2	Lamp Holder/Socket Assy (Includes two of item 16)
	32096.0000	4	Screw, Pan Head #2-56 x .50"
5	32266.0000	4	Insert, Hopper Display
6	32195.0000	2	Liner Assy, Hopper Cover
7	27249.1000	2	Cord Assy, Lamp (Includes two of item 16)
8	32190.1000	2	Hopper Assy. (Includes item 9)
	32190.1001	2	Hopper Assy. (For Models with PAF)(Includes item 9)
	32190.1002	2	Hopper Assy. (For Models with AFPO)(Includes item 9)
9	32189.0000	2	Bushing, Auger Nose
10	32191.0000	2	Faucet - WHI
11	32265.0001	2	Handle, Faucet - BLK
12	32193.0000	2	Spring, Faucet
13	32268.0000	2	Seal
14	27643.0000	2	Connector Assy (Includes Nut, Washer, Leads & Plug)
	01532.0001	2	Lockwasher, Internal-tooth .375"
15	33176.0001	2	Tether/Probe Assy (For Models with PAF)
	01393.0000	2	Screw, Truss Head #6 x .25"
16	03851.0000	4	Wire Nut (Not Illustrated)
17	29481.0000	1	Cover, Flat (Includes item 18)
18	00778.0000	1	Decal, BUNN

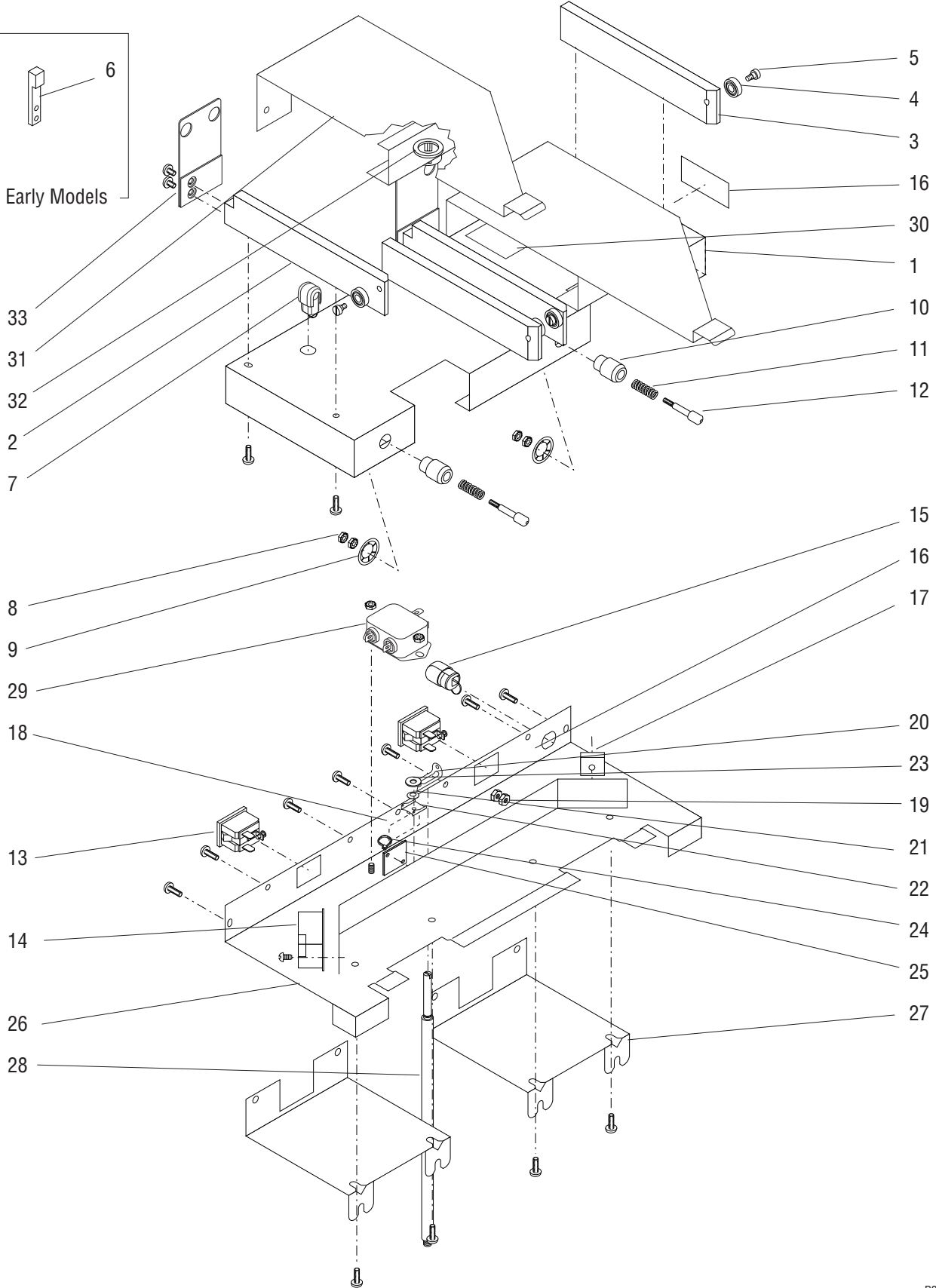
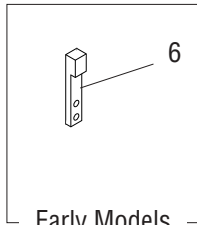


PAF PLATFORM ASSEMBLY

ITEM	PART NO.	QTY.	DESCRIPTION
-	29941.1000	1	Platform Assy. 120V SST (Includes items 1 thru 28 and 30 thru 34)
-	29941.1001	1	Platform Assy. 120V BLK (Includes items 1 thru 28 and 30 thru 34)
-	29941.1002	1	Platform Assy. 230V SST (Includes items 1 thru 34)
-	29941.1003	1	Platform Assy. 230V BLK (Includes items 1 thru 34)
1	29940.0000	1	Housing SST
	29940.0002	1	Housing BLK
2	29591.0001	2	Guide Rail RH
	01330.0000	4	Screw #10-32 x .38"
3	29591.0002	2	Guide Rail LH
	01330.0000	4	Screw #10-32 x .38"
4	29724.0000	4	Roller
5	24457.0001	4	Shoulder Bolt
	01522.0000	4	Washer
6	32632.0000	2	Latch (Early Models)
	01311.0001	4	Screw, Truss Head Locking #8-32 x .25"
7	01666.0002	1	Bushing, Relief (120V)
	05746.0000	1	Bushing, Relief (230V)
8	00906.0000	4	Nut
9	29742.0000	2	Retainer
10	29726.0000	2	Housing, Spring Contact
11	27788.0000	2	Spring
12	27748.0000	2	Pin
13	03628.0000	2	Receptacle 120V
	32197.0000	2	Receptacle 230V
14	32104.0000	1	Relay, Lighting
	01382.0000	2	Screw, Truss Head #6-32 x .38"
15	00707.0000	1	Bushing, Relief
16	29947.0000	1	Decal, Dual Power Cord
17	22126.0000	1	Rectifier
	01370.0000	1	Screw, Pan Head #8-32 x .75"
18	29844.0000	1	Decal, Receptacle - PAF Only
	29844.0001	1	Decal, Receptacle - PAFA Only
19	00908.0000	2	Nut, Grounding Stud
20	33524.0000	1	Latch, Support Rod
21	33527.0000	1	Washer
22	33525.0000	1	Guide

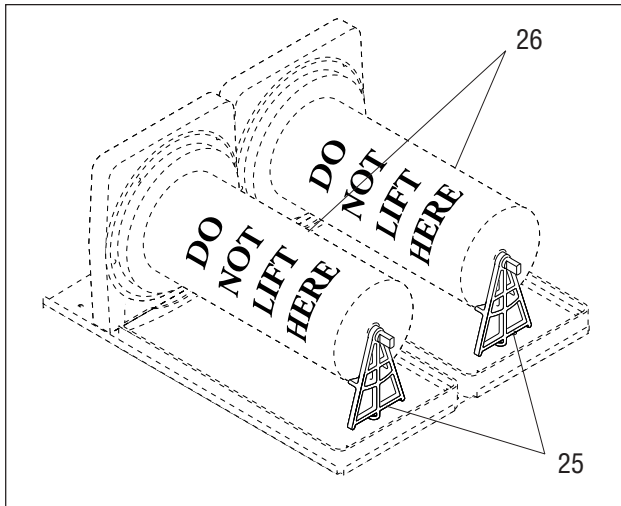
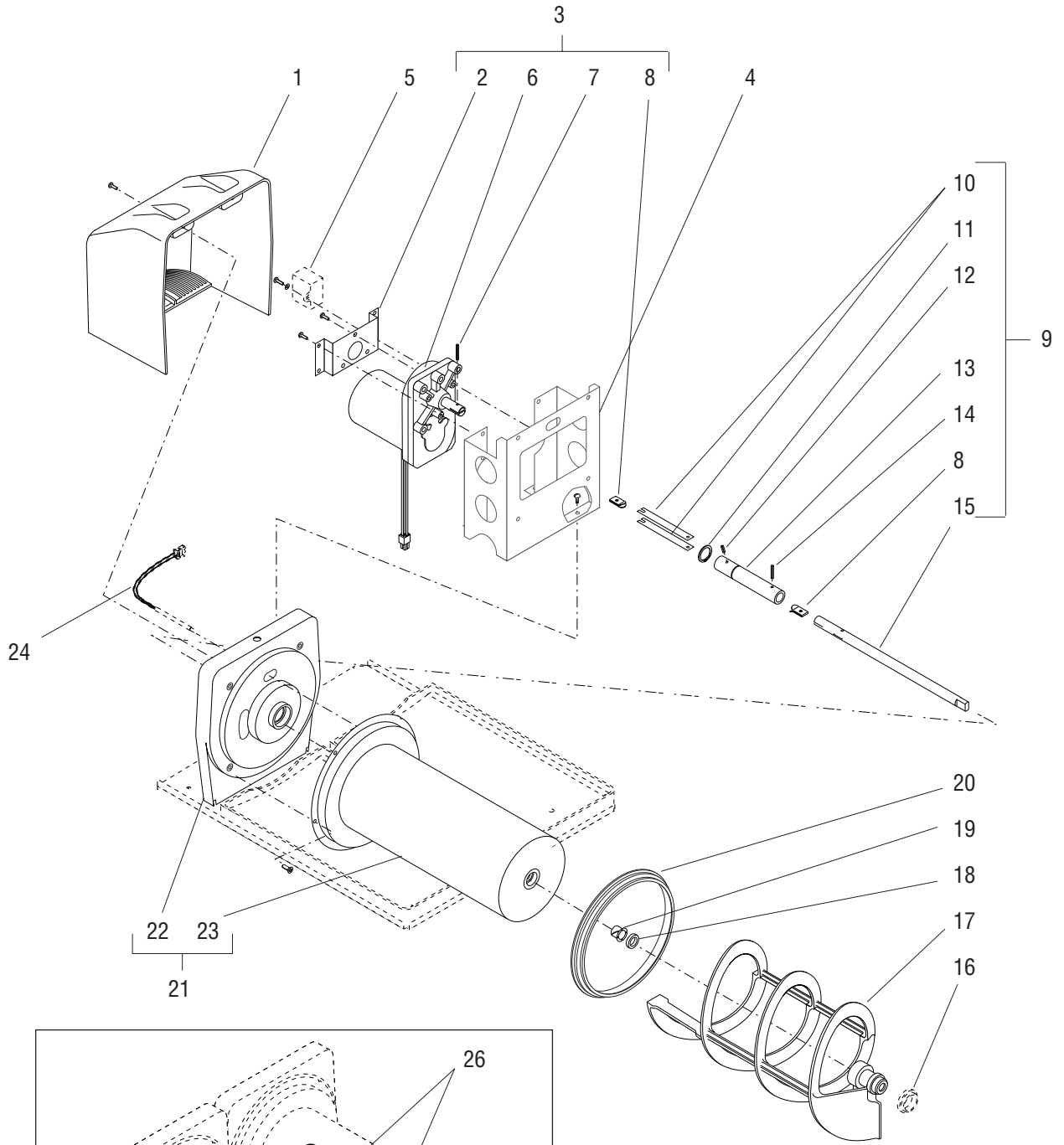
(Continued)

(Continued)



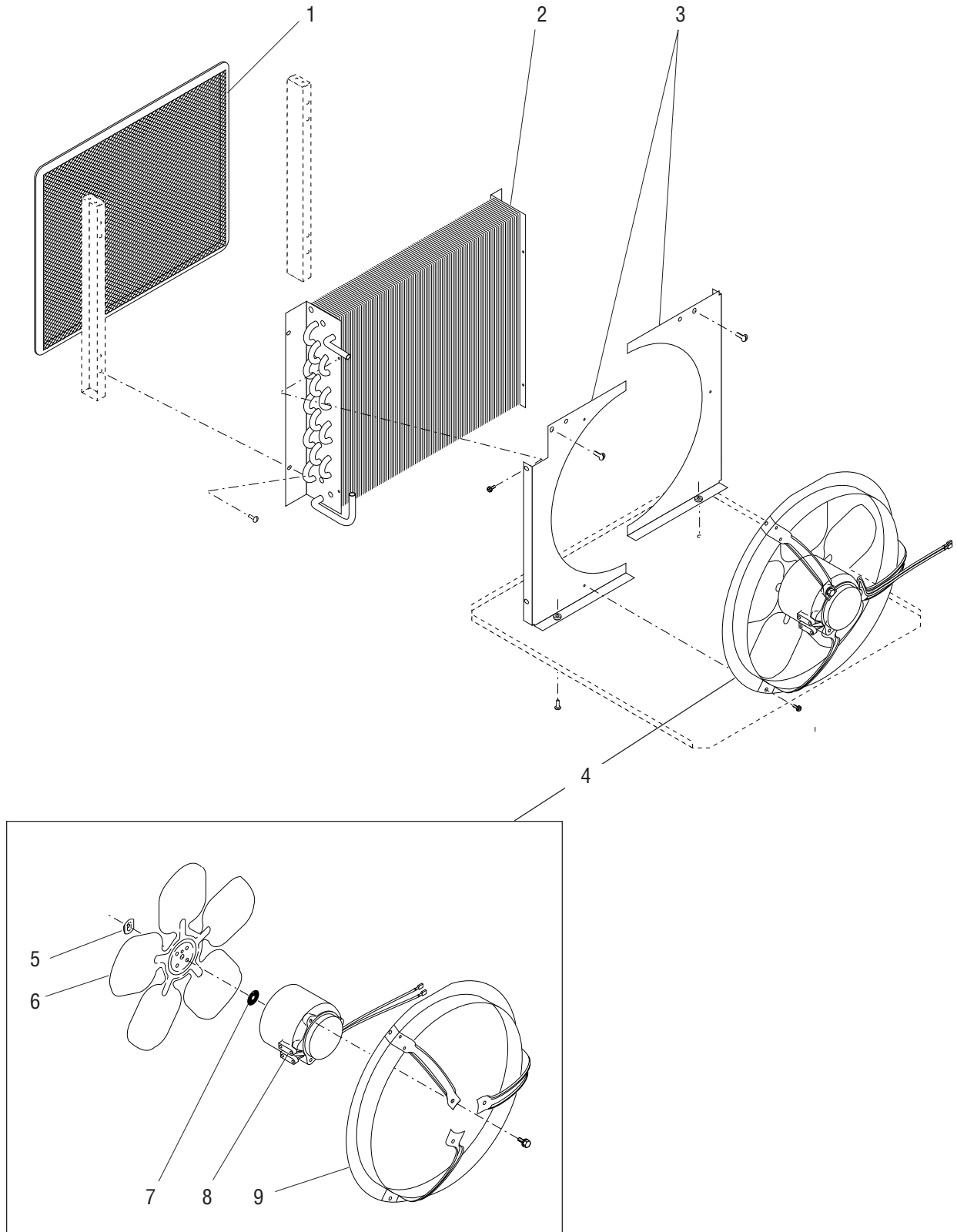
PAF PLATFORM ASSEMBLY

ITEM	PART NO.	QTY.	DESCRIPTION	
23	01521.0000	1	Washer	
24	00617.0000	1	Cable Tie	
25	22749.0000	1	Mounting Pad, Cable Tie	
26	29943.0000	1	Cover, Bottom SST (120V)	
	29943.0001	1	Cover, Bottom BLK (120V)	
	29943.0002	1	Cover, Bottom SST (230V)	
	29943.0003	1	Cover, Bottom BLK (230V)	
	01315.0000	7	Screw, SST, Truss Head #8-32 x .38"	
	02322.0002	7	Screw, BLK, Truss Head #8-32 x .38"	
27	29942.0000	2	Bracket SST	
	29942.0001	2	Bracket BLK	
	01317.0000	4	Screw, Truss Head #8-32 x .50"	
28	29936.0000	1	Rod, Support	
29	29446.0000	1	EMI Filter (230V)	
	00908.0000	2	Nut #8-32	
30	00986.0002	1	Decal, Electrical Warning	
31	34573.0000	2	Latch Bracket	} Late Models
32	01663.0000	2	Bushing, Snap	
33	34575.0000	2	Plate, Guide	
	01311.0001	4	Screw, Truss Head Locking #8-32 x .25"	
34	20630.0007	1	Power Cord (120V)	} Not Illustrated
	28111.0005	1	Power Cord (230V)	
	32212.0001	1	Power Cord (230V EURO)	
35	29948.0000	1	Harness, Main (120V)	
	29948.0001	1	Harness, Main (230V)	
36	32267.1000	1	Lamp Cord (Includes item 34)	
37	29763.0000	2	Resister, Probe Detector	
38	03851.0000	2	Wire Nut	



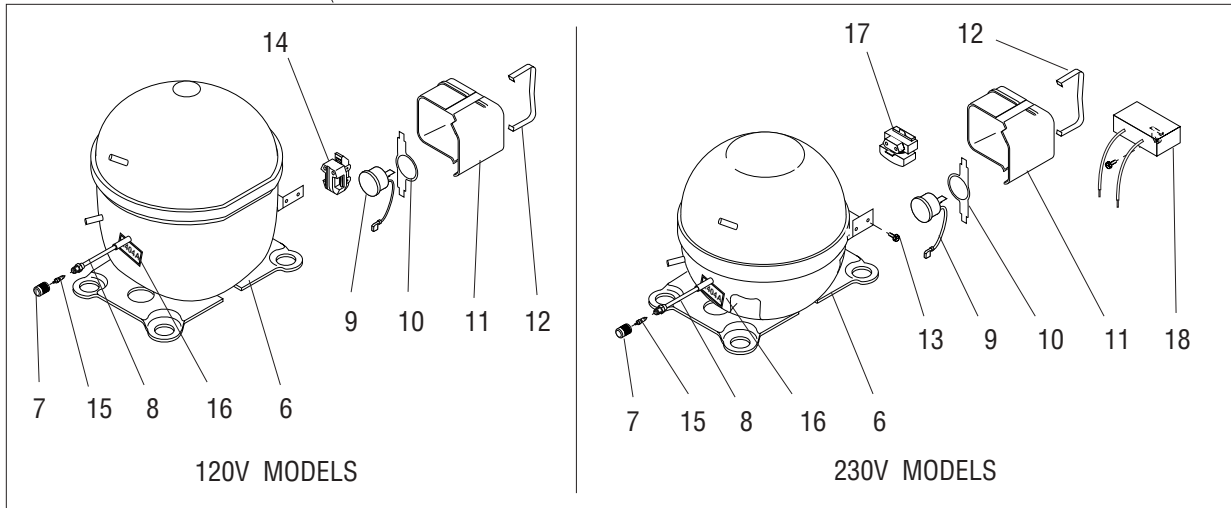
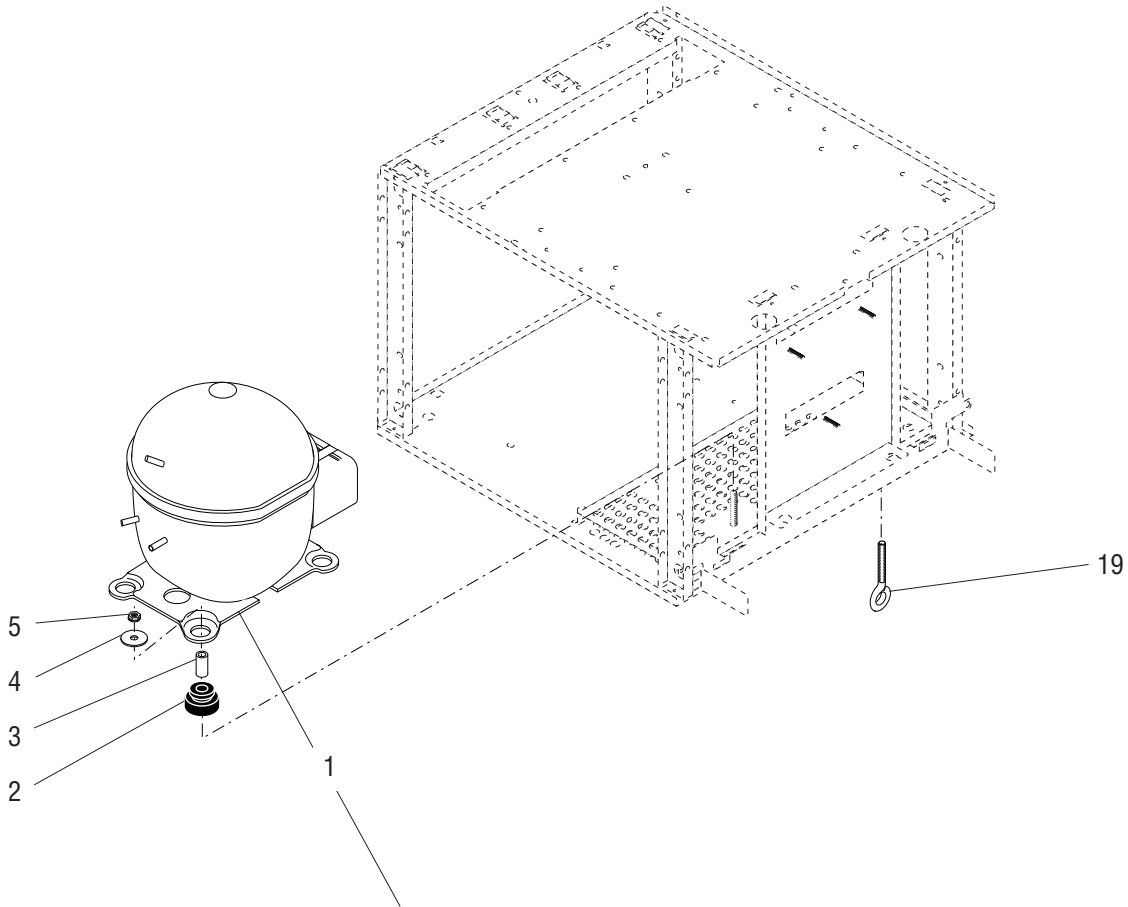
AUGER DRIVE AND COOLING DRUM

ITEM	PART NO.	QTY.	DESCRIPTION
1	27231.0000	2	Cover, Auger Motor - WHI
	27231.0001	2	Cover, Auger Motor - BLK
	01317.0003	4	Screw, Truss Head - Locking #8-32 x .375"
2	27232.0000	2	Bracket, Auger Motor Mounting
	01317.0003	6	Screw, Truss Head - Locking #8-32 x .375"
3	28093.1000	2	Motor Assy, Auger (Includes items 2, 6, 7 & 8) (120V)
	28093.1001	2	Motor Assy, Auger (Includes items 2, 6, 7 & 8) (230V)
	01326.0002	6	Screw, Pan Head #10-32 x .375"
4	32108.0000	2	Bracket, Auger Motor/Cooling Drum Mounting
	01311.0001	8	Screw, Truss Head - Locking #8-32 x .25"
5	-----	2	Capacitor, Motor (See ELECTRICAL AND OPERATING CONTROLS)
	01317.0001	2	Screw, Truss Head - Locking #8-32 x .50"
	01501.0000	2	Washer #8
	01511.0000	2	Lockwasher, Ext.-tooth #8
6	27179.1000	1	Motor Assembly, Auger (Includes Leads and Terminals) (120V)
	27179.1001	1	Motor Assembly, Auger (Includes Leads and Terminals) (230V)
7	34836.0000	1	Pin, Split .125" O.D. x .938"
8	27440.0000	2	Bearing, Torsion Spring
9	28081.0000	2	Shaft Assy, Auger Drive (Includes items 8, 10 thru 15) (Also use item 27)
10	27223.0000	2	Spring, Torsion
11	27228.0000	1	Snap Ring
12	11556.0001	1	Pin, Split .125" O.D. x .437"
13	27224.0000	1	Retainer, Torsion Spring
14	11556.0008	1	Pin, Split .125" O.D. x .75"
15	32449.0000	1	Shaft, Auger
16	-----	2	Bushing, Auger - Front (See HOPPER, COVER AND FAUCET)
17	32106.1000	2	Auger
18	26782.0001	2	Seal, Cooling Drum
19	26781.0000	2	Bushing, Auger Shaft
20	32079.0000	2	Seal, Cooling Drum/Hopper
21	32092.0000	2	Drum Assembly, Cooling - WHI (Includes items 22 & 23)
	32092.0001	2	Drum Assembly, Cooling - BLK (Includes items 22 & 23)
	01377.0000	8	Screw, Flat Head #8-32 x .75"
22	32091.0000	1	Mount Assembly, Cooling Drum - WHI
	32091.0001	1	Mount Assembly, Cooling Drum - BLK
23	-----	1	Drum, Cooling (Not Available. Order item 21)
24	-----	-	Temperature Sensor Assy (See ELECTRICAL AND OPERATING CONTROLS)
25	28027.0000	2	Support, Cooling Drum (For Shipping and Cooling Drum Adjustment)
26	28236.0000	2	Label, DO NOT LIFT HERE (For Shipping Only)
27	M2548.1000	-	Lubricant, Krytox .50 oz (Not illustrated)



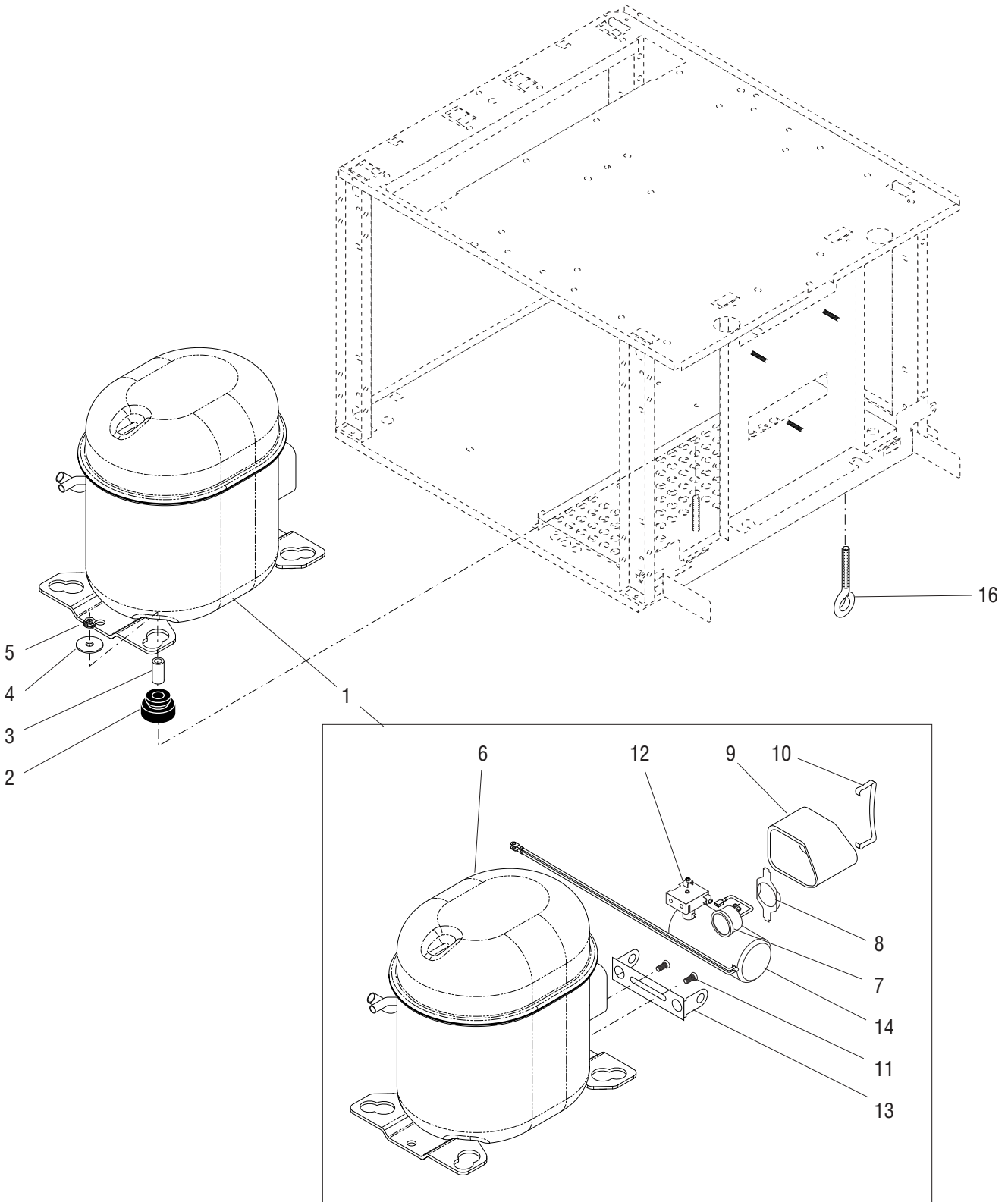
CONDENSER AND FAN MOUNTING

ITEM	PART NO.	QTY.	DESCRIPTION
1	28122.0000	1	Filter, Air
2	26791.0000	1	Condenser Assy
	02308.0000	4	Screw, Pan Head Serrated #8-32 x .375"
3	32084.0000	1	Shroud, Condenser - Right Half
	32084.0001	1	Shroud, Condenser - Left Half
	02332.0001	4	Screw, Hex Head Crimptite #6 x .25"
	01317.0003	4	Screw, Truss Head - Locking #8-32 x .375"
4	27180.0000	1	Fan Assy, Condenser - 120V (Includes items 5 thru 9)
	27180.0001	1	Fan Assy, Condenser - 230V (Includes items 5 thru 9)
	02332.0002	3	Screw, Hex Head - Thread Cutting #6 x .375"
5	27257.0000	1	Speed Nut .25"-20
6	27220.0000	1	Blade, Condenser Fan
7	27258.0000	1	Silencer, Fan
8	27221.0000	1	Motor, Condenser Fan - 120V (Includes Leads and Terminals)
	27221.0001	1	Motor, Condenser Fan - 230V (Includes Leads and Terminals)
9	27219.0000	1	Shroud/Mount, Condenser Fan
	27243.0000	3	Screw, Hex Head Thread Forming #8-32 x .437"



COMPRESSOR AND MOUNTING (AMERICOLD)

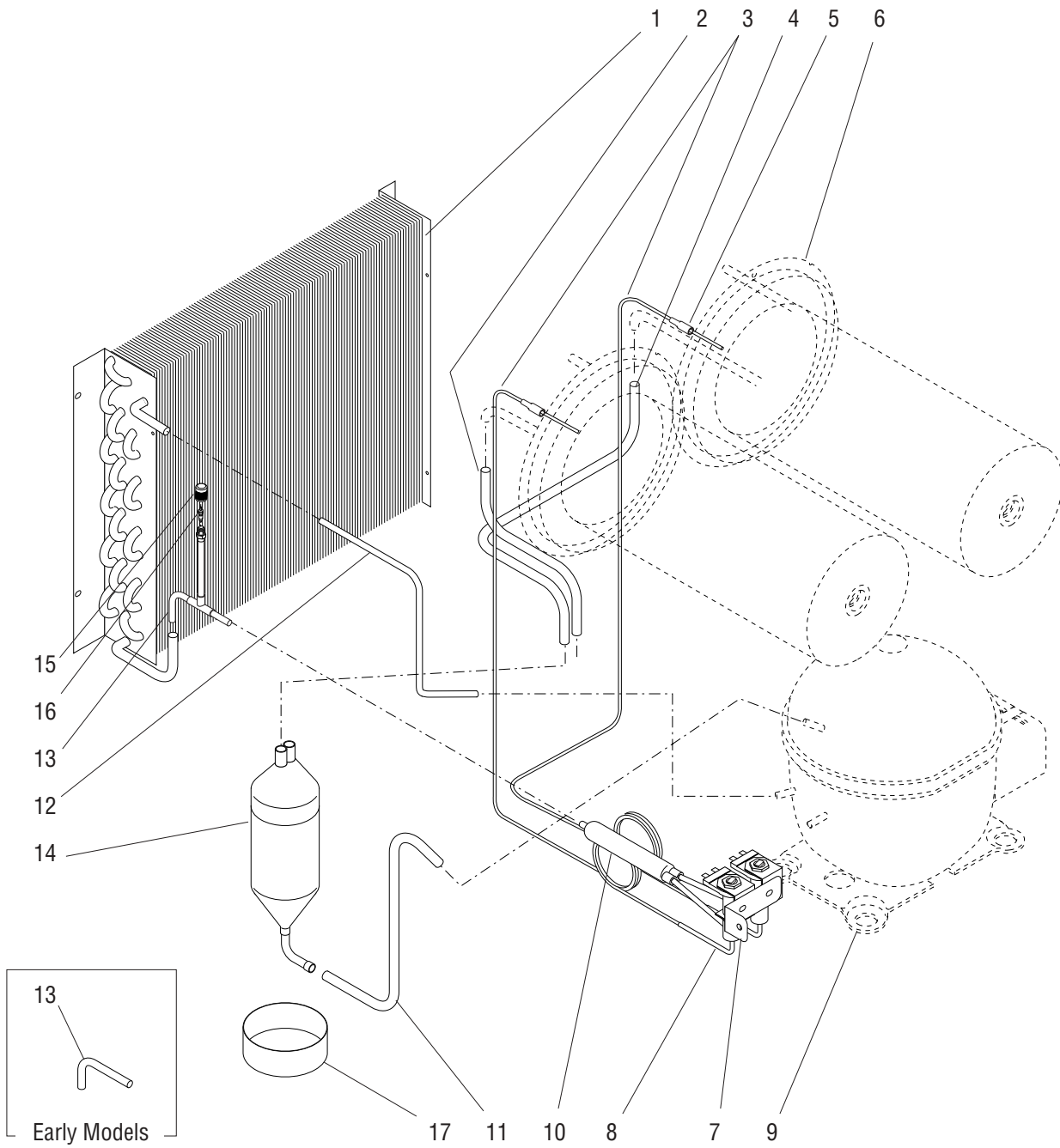
ITEM	PART NO.	QTY.	DESCRIPTION
1	32073.1000	1	Compressor Assy 120V (Includes items 2, 3, 6, 9 thru 12 and 14)
	29932.1000	1	Compressor Assy 230V (Includes items 2, 3, 6, 9, 11, 12, 13, 17 and 18)
2	-----	4	Grommet, Compressor Mounting
3	-----	4	Sleeve, Compressor Mounting
			} Order item 20
4	34529.0000	4	Washer, .281" I.D. x 1.0" O.D.
5	23700.0000	4	Nut, Hex Keps .25"-20
6	-----	1	Compressor (Not Available. Order item 1)
7	27641.0000	1	Cap, Access Valve (Procure Locally)
8	27551.0000	1	Valve Assy, Access (Includes items 7 & 15)(Requires brazing to Install)
9	27407.0000	1	Overload Protector (120V)
	27407.0001	1	Overload Protector (230V)
10	27403.0000	1	Retainer, Overload Protector (120V)
11	27408.0000	1	Cover, Compressor Terminal
12	32095.0000	1	Retainer, Compressor Terminal Cover (120V)
	27404.0000	1	Retainer, Compressor Terminal Cover (230V)
13	02335.0001	1	Screw, Hex Head Crimptite #8 x .375"
14	32094.0000	1	Relay, Compressor Start (120V)
15	27642.0000	1	Valve Core, .25"
16	28651.0000	1	Label - R404A
17	27406.0002	1	Starter, Motor (230V)
18	27405.0001	1	Capacitor, Run (230V)
	02332.0002		Screw, Hex Crimptite #6 x .375"
19	-----	1	Eyebolt (Shipping Only)
	-----	1	Tag, Eyebolt Shipping Notice (Not illustrated)
20	27613.0000	1	Kit, Compressor Mounting (Includes 4 each of item 2 & 3)



COMPRESSOR AND MOUNTING (EMBRACO)

ITEM	PART NO.	QTY.	DESCRIPTION
1	34296.1000	1	Compressor Assy 120V (Includes items 2, 3, 6 thru 14)
2	-----	4	Grommet, Compressor Mounting
3	-----	4	Sleeve, Compressor Mounting
4	34529.0000	4	Washer, .281" I.D. x 1.0" O.D.
5	23700.0000	4	Nut, Hex Keps .25"-20
6	-----	1	Compressor (Not Available. Order item 1)
7	34254.0000	1	Overload Protector (120V)
8	34253.0000	1	Retainer, Overload Protector (120V)
9	34252.0000	1	Cover, Compressor Terminal
10	34251.0000	1	Retainer, Compressor Terminal Cover (120V)
11	34260.0000	1	Screw, Hex Head Crimptite #8 x .375"
12	34255.0000	1	Relay, Compressor Start (120V)
13	32799.0000	1	Bracket, Capacitor
14	32795.0000	1	Capacitor, Run (120V)
15	28651.0000	1	Label - R404A (Not illustrated)
16	-----	1	Eyebolt (Shipping Only)
	-----	1	Tag, Eyebolt Shipping Notice (Not illustrated)
17	27613.0000	1	Kit, Compressor Mounting (Includes 4 each of item 2 & 3)

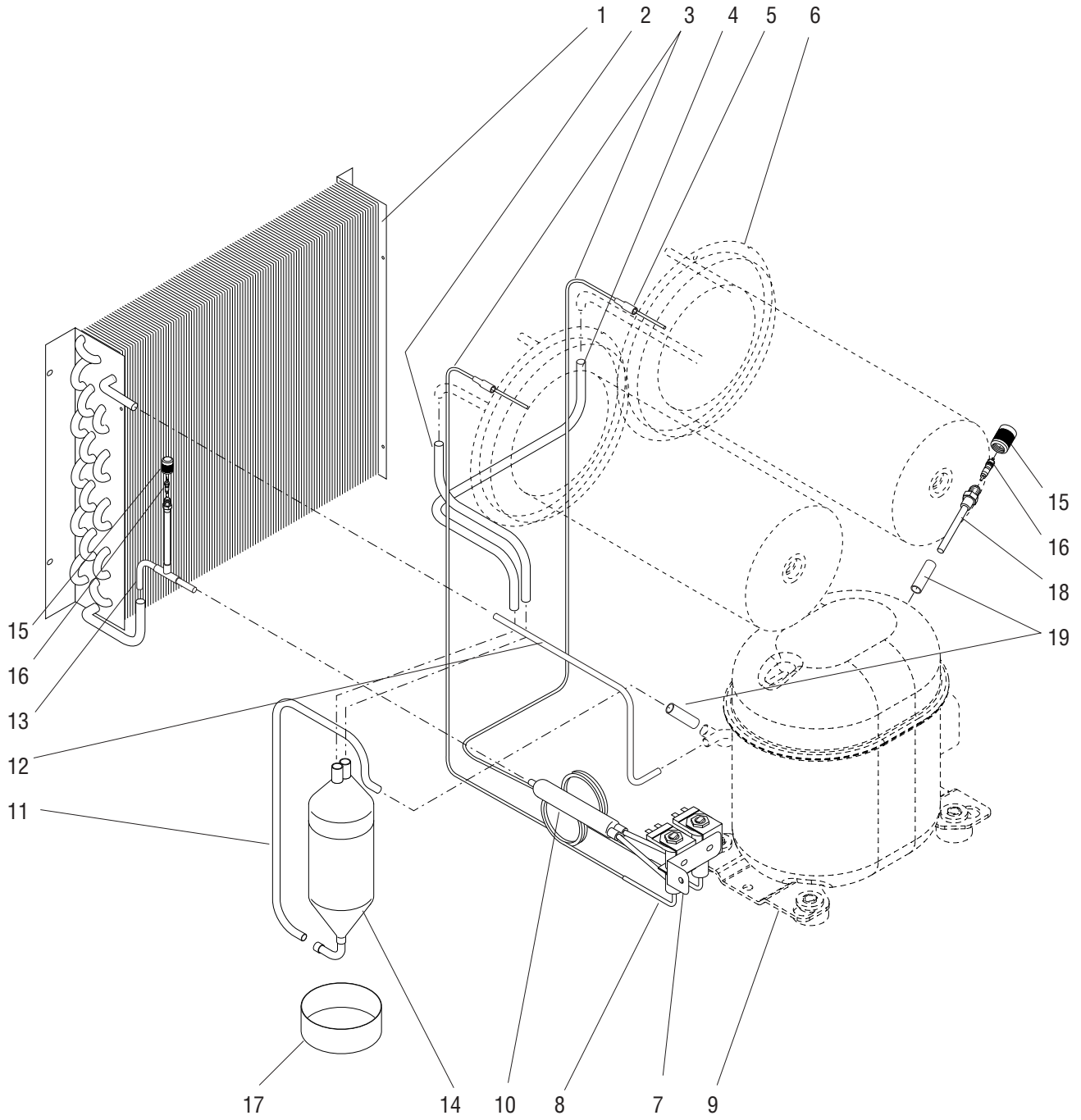
} Order item 17



SOLENOID AND COOLANT PIPING (AMERICOLD)

ITEM	PART NO.	QTY.	DESCRIPTION
1	-----	1	Condenser (See Condenser and Fan Mounting)
2	32088.0001	1	Tube .375" O.D. Accumulator to Left Cooling Drum (Requires brazing to install)
3	27607.1000	1	Tube .093" O.D. Solenoid to Left Cooling Drum (Requires brazing to install)
	27607.1001	1	Tube .093" O.D. Solenoid to Right Cooling Drum (Requires brazing to install)
4	32087.0001	1	Tube .375" O.D. Accumulator to Right Cooling Drum (Requires brazing to install)
5	28925.0000	2	Adapter, Reducing (Requires brazing to install)
6	-----	2	Cooling Drum (See Auger Drive and Cooling Drum)
7	32113.0000	1	Bracket, Solenoid Mounting
	01317.0003	1	Screw, Truss Head, Locking #8-32 x .38"
8	32133.0000	2	Solenoid Assy (120V)
	32133.0001	2	Solenoid Assy (230V)
	02332.0001	2	Screw, Crimpite #6 x .25"
9	-----	1	Compressor (See Compressor and Mounting)
10	32256.0000	1	Dryer Assembly (Requires brazing to install)
11	32086.0001	1	Tube .312" O.D. Accumulator to Compressor (Requires brazing to install)
12	32085.0001	1	Tube .250" O.D. Condenser to Compressor (Requires brazing to install)
13	-----	1	Tube, Condenser to Dryer (Early Models)(Requires brazing to install)
	34211.0000	1	Tube, Condenser to Dryer (Late Models)(Includes items 15 & 16) (Requires brazing to install)
14	32257.0000	1	Accumulator, Suction (Requires brazing to install)
15	27641.0000	1	Cap, Valve Access
16	27642.0000	1	Valve Core
17	27411.0000	1	Cup, Condensate
18	M2316.1000	-	Insulation, Tube .375" I.D. x 6 ft LG (As Required)
19	00617.0000	8	Tie, BLK Nylon 3.90" LG (As Required)
20	03290.0000	7	Tie, WHI Nylon 5.6" LG

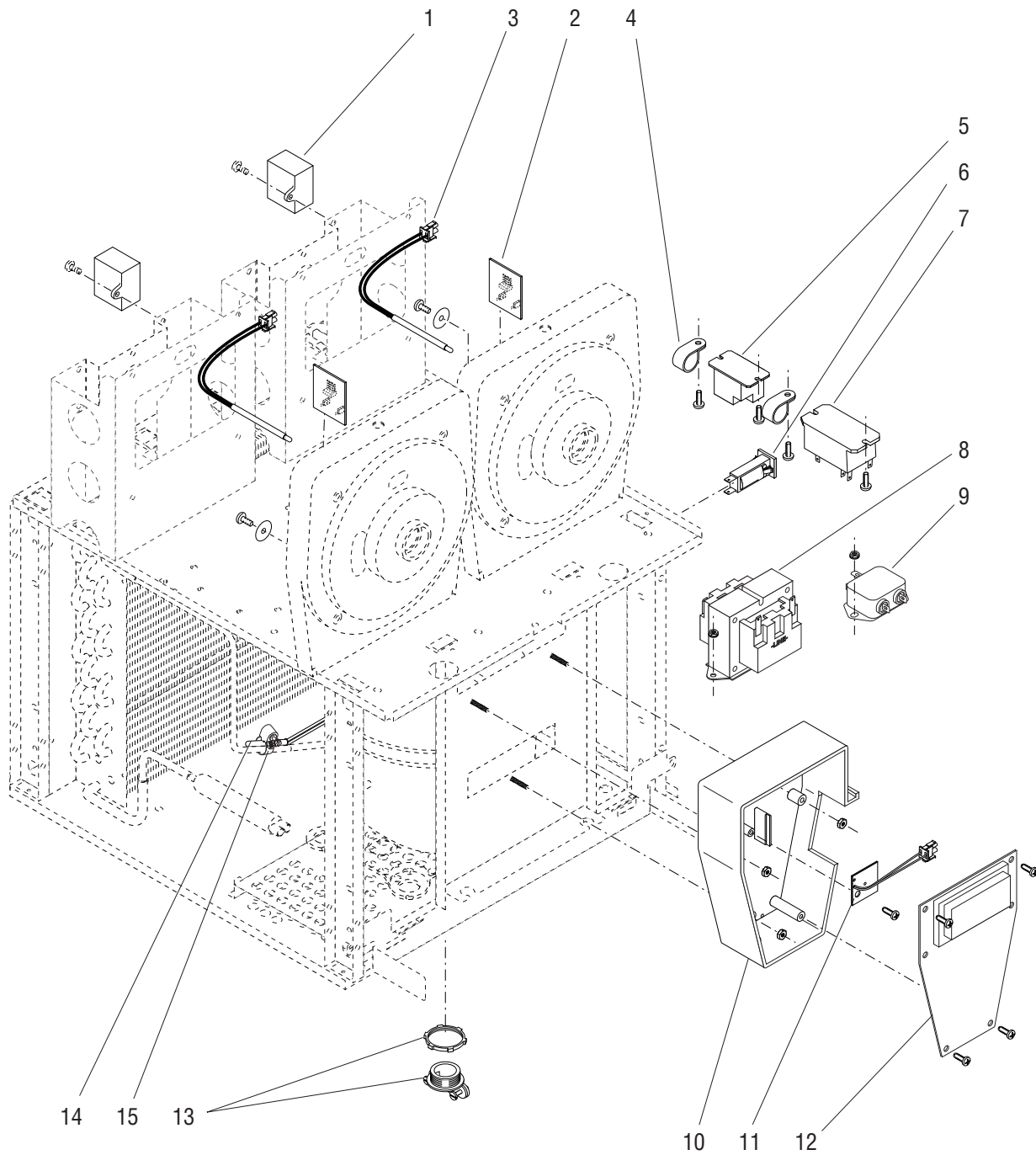
} Not Illustrated



SOLENOID AND COOLANT PIPING (EMBRACO)

ITEM	PART NO.	QTY.	DESCRIPTION
1	-----	1	Condenser (See Condenser and Fan Mounting)
2	32088.0001	1	Tube .375" O.D. Accumulator to Left Cooling Drum (Requires brazing to install)
3	27607.1000	1	Tube .093" O.D. Solenoid to Left Cooling Drum (Requires brazing to install)
	27607.1001	1	Tube .093" O.D. Solenoid to Right Cooling Drum (Requires brazing to install)
4	32087.0001	1	Tube .375" O.D. Accumulator to Right Cooling Drum (Requires brazing to install)
5	28925.0000	2	Adapter, Reducing (Requires brazing to install)
6	-----	2	Cooling Drum (See Auger Drive and Cooling Drum)
7	32113.0000	1	Bracket, Solenoid Mounting
	01317.0003	1	Screw, Truss Head, Locking #8-32 x .38"
8	32133.0000	2	Solenoid Assy (120V)
	32133.0001	2	Solenoid Assy (230V)
	02332.0001	2	Screw, Crimpite #6 x .25"
9	-----	1	Compressor (See Compressor and Mounting)
10	32256.0000	1	Dryer Assembly (Requires brazing to install)
11	34257.0001	1	Tube .312" O.D. Accumulator to Compressor (Requires brazing to install)
12	34258.0001	1	Tube .250" O.D. Condenser to Compressor (Requires brazing to install)
13	34211.0000	1	Tube, Condenser to Dryer (Includes items 15 & 16)(Requires brazing to install)
14	32257.0000	1	Accumulator, Suction (Requires brazing to install)
15	27641.0000	2	Cap, Valve Access
16	27642.0000	2	Valve Core
17	27411.0000	1	Cup, Condensate
18	28645.0000	1	Valve, Access (Includes items 15 & 16)(Requires brazing to install)
19	34256.0001	2	Tube, Spacer (Requires brazing to install)
20	M2316.1000	-	Insulation, Tube .375" I.D. x 6 ft LG (As Required)
21	00617.0000	8	Tie, BLK Nylon 3.90" LG (As Required)
22	03290.0000	7	Tie, WHI Nylon 5.6" LG

} Not Illustrated



ELECTRICAL AND OPERATING CONTROLS

ITEM	PART NO.	QTY.	DESCRIPTION
1	27178.0000	2	Capacitor, Auger Motor 370 VAC (120V)
	27178.0001	2	Capacitor, Auger Motor 500 VAC (230V)
2	27939.1000	2	Circuit Board, Torque Sensor
	01317.0003	2	Screw, Truss Head - Locking #8-32 x .375"
	02360.0000	2	Washer, .188" I.D. x .75" O.D.
3	27246.0000	2	Temperature Sensor (Includes Connector)
4	00604.0000	2	Clip
	01317.0003	2	Screw, Truss Head Locking #8-32 x .375"
5	32104.0000	1	Relay, Lighting
	01382.0000	2	Screw, Truss Head #6-32 x .38"
6	27181.0000	1	Circuit Breaker, 5 amp
7	25948.0000	1	Relay, 120V (ULTRA-2)
	25948.0001	1	Relay, 230V (ULTRA-2A)
	01317.0003	2	Screw, Truss Head - Locking #8-32 x .375"
8	27644.1002	1	Transformer, 120V 60 Hz
	27644.1004	1	Transformer, 230V 50/60 Hz
	00970.0000	2	Nut, Keps #8-32
9	29446.0000	1	EMI Filter (ULTRA-2A only)
	00970.0000	2	Nut, Keps #8-32
10	32121.0000	1	Box, Electronic Control
	00973.0000	3	Nut, Keps #6-32
11	32097.0000	1	Power Control Board
	24544.0000	1	Screw, Pan Head #8-18
12	32120.1000	1	Electronic Control 120/230V, 50/60Hz
	24544.0000	4	Screw, Pan Head #8-18
13	05746.0000	1	Bushing, Strain Relief
14	32269.0000	1	Probe, Thermister
15	29421.0001	1	Clamp, Worm Drive

The following items are not illustrated:

16	32263.0000	1	Harness, Main (120V)
	32263.0001	1	Harness, Main (240V)
	00970.0000	1	Nut, Keps #8-32 (Grounding)
17	32163.0000	1	Harness, Membrane Switch to Electronic Control
18	20630.0009	1	Power Cord 120V
	27728.0006	1	Power Cord 230V

NUMERICAL INDEX

PART NO.	PAGE NO.	PART NO.	PAGE NO.	PART NO.	PAGE NO.	PART NO.	PAGE NO.
00604.0000	27	22126.0000	11	27551.0000	19	29948.0000	13
00617.0000	13,23,25	22749.0000	13	27607.1000	23,25	29948.0001	13
00669.0003	5	23700.0000	19,21	27607.1001	23,25	29959.0001	7
00707.0000	11	24457.0001	11	27613.0000	19,21	29967.0000	5
00778.0000	9	24544.0000	27	27641.0000	19,23,25	29976.0000	7
00906.0000	11	25948.0000	27	27642.0000	19,23,25	29979.0000	5
00908.0000	11,13	25948.0001	27	27643.0000	9	32068.0000	5
00927.0000	7	26528.0000	7	27644.1002	27	32068.0001	5
00970.0000	27	26781.0000	15	27644.1004	27	32073.1000	19
00973.0000	27	26782.0000	15	27728.0006	27	32079.0000	15
00986.0002	5,13	26791.0000	17	27748.0000	11	32082.0000	5
01311.0001	5,11,13,15	27058.0000	5	27788.0000	11	32084.0000	17
01315.0000	9,13	27058.0001	7	27939.1000	27	32084.0001	17
01317.0000	13	27058.0002	5	28027.0000	15	32085.0001	23
01317.0001	15	27058.0003	7	28081.0000	15	32086.0001	23
01317.0003	5,15,17,23,25,27	27131.0000	7	28086.0000	5	32087.0001	23,25
01326.0002	15	27131.0001	7	28086.0001	5	32088.0001	23,25
01330.0000	11	27136.0002	5	28093.1000	15	32091.0000	15
01370.0000	11	27136.0003	5	28093.1001	15	32091.0001	15
01377.0000	15	27178.0000	27	28098.0000	7	32092.0000	15
01382.0000	11,27	27178.0001	27	28111.0005	13	32092.0001	15
01393.0000	9	27179.1000	15	28122.0000	17	32094.0000	19
01501.0000	15	27179.1001	15	28236.0000	15	32095.0000	19
01511.0000	15	27180.0000	17	28645.0000	25	32096.0000	9
01521.0000	13	27180.0001	17	28651.0000	19,21	32097.0000	27
01522.0000	11	27181.0000	27	28925.0000	23,25	32101.1000	5
01532.0001	9	27219.0000	17	29373.0000	7	32101.1001	5
01663.0000	13	27220.0000	17	29421.0001	27	32101.1002	5
01666.0002	11	27221.0000	17	29446.0000	13,27	32101.1003	5
02308.0000	17	27221.0001	17	29481.0000	9	32101.1004	5
02322.0000	13	27223.0000	15	29591.0001	11	32101.1005	5
02329.0000	5	27224.0000	15	29591.0002	11	32101.1006	5
02332.0001	17,23,25	27228.0000	15	29702.1000	7	32101.1007	5
02332.0002	17,19	27231.0000	15	29724.0000	11	32104.0000	11,27
02335.0001	19	27231.0001	15	29726.0000	11	32105.0000	9
02360.0000	27	27232.0000	15	29742.0000	11	32105.0001	9
03290.0000	23,25	27243.0000	17	29763.0000	13	32106.1000	15
03354.0000	7	27246.0000	27	29844.0000	11	32108.0000	15
03628.0000	11	27249.1000	9	29844.0001	11	32111.0000	5
03851.0000	9,13	27257.0000	17	29932.1000	19	32111.0001	5
03933.0000	7	27258.0000	17	29936.0000	13	32111.0002	5
03996.0000	7	27394.0000	5	29940.0000	11	32111.0003	5
05746.0000	11,27	27403.0000	19	29940.0002	11	32113.0000	23,25
11556.0001	15	27404.0000	19	29941.1000	11	32116.1000	5
11556.0008	15	27405.0001	19	29941.1001	11	32116.1001	5
12421.1001	7	27406.0002	19	29941.1002	11	32120.1000	27
12421.1002	7	27407.0000	19	29941.1003	11	32121.0000	27
12421.1003	7	27407.0001	19	29942.0000	13	32124.0000	7
13255.0003	7	27408.0000	19	29942.0001	13	32126.0001	5
13255.0006	7	27411.0000	23,25	29943.0000	13	32133.0000	23,25
20630.0007	13	27440.0000	15	29943.0002	13	32133.0001	23,25
20630.0009	27	27442.0000	5	29943.0003	13	32162.0000	7
21436.0000	5	27445.1000	9	29943.0001	13	32163.0000	27
21437.1000	5	27446.0000	9	29947.0000	5,11	32189.0000	9

NUMERICAL INDEX

PART NO.	PAGE NO.	PART NO.	PAGE NO.	PART NO.	PAGE NO.	PART NO.	PAGE NO.
32190.1000	9						
32190.1001	9						
32190.1002	9						
32191.0001	9						
32193.0000	9						
32195.0000	9						
32196.0000	9						
32196.0001	9						
32196.1000	9						
32196.1001	9						
32197.0000	11						
32256.0000	23,25						
32257.0000	23,25						
32263.0000	27						
32263.0001	27						
32265.0001	9						
32266.0000	9						
32267.1000	13						
32268.0000	9						
32269.0000	27						
32449.0000	15						
32580.0000	5,7						
32632.0000	11						
32793.0000	7						
32795.0000	21						
32799.0000	21						
33176.0001	9						
33524.0000	11						
33525.0000	11						
33527.0000	11						
34211.0000	23,25						
34251.0000	21						
34252.0000	21						
34253.0000	21						
34254.0000	21						
34255.0000	21						
34256.0001	25						
34257.0001	25						
34258.0001	25						
34260.0000	21						
34296.1000	21						
34529.0000	19,21						
34573.0000	13						
34575.0000	13						
34836.0000	15						
M2316.1000	23,25						
M2548.1000	15						