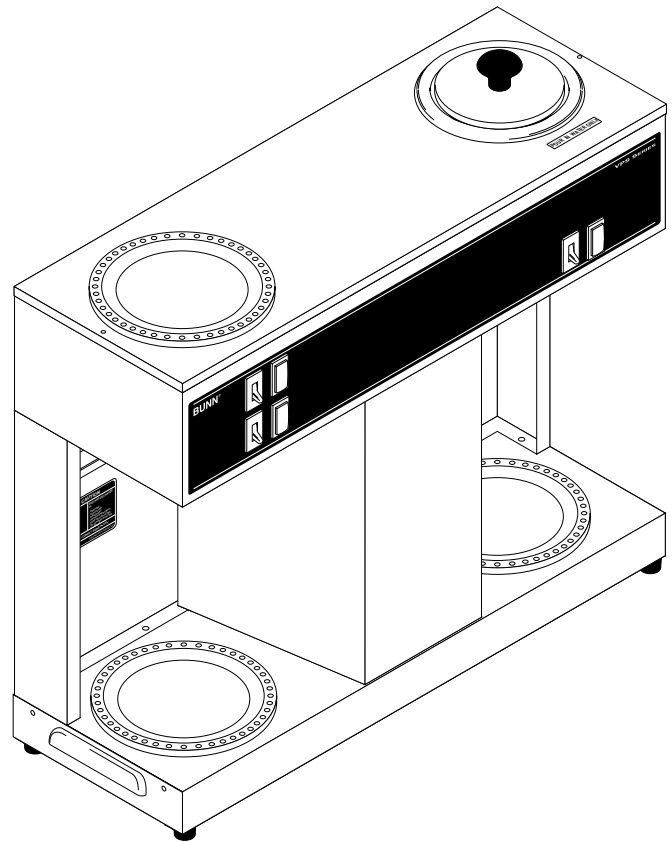
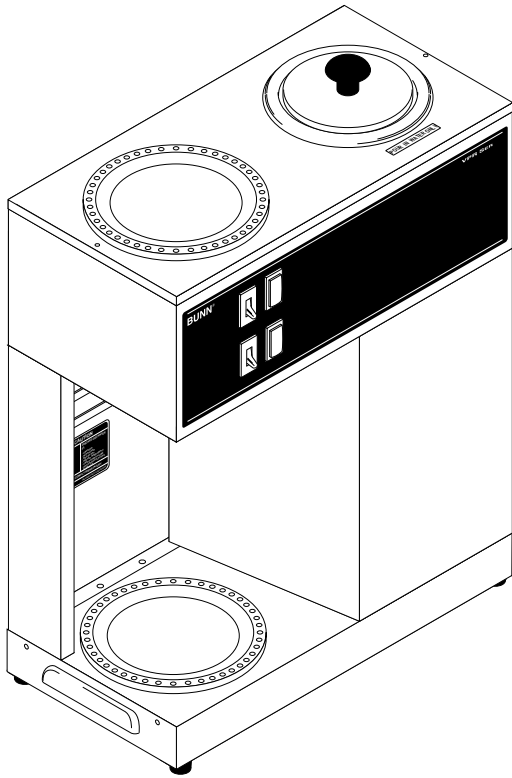


BUNN®

VPR VPS



ILLUSTRATED PARTS CATALOG

Designs, materials, weights, specifications, and dimensions for equipment or replacement parts are subject to change without notice.

BUNN-O-MATIC CORPORATION

POST OFFICE BOX 3227

SPRINGFIELD, ILLINOIS 62708-3227

PHONE: (217) 529-6601 FAX: (217) 529-6644

WARRANTY

Bunn-O-Matic Corp. ("Bunn") warrants the equipment manufactured by it to be commercially free from defects in material and workmanship existing at the time of manufacture and appearing within one year from the date of installation. In addition:

1.) Bunn warrants electronic circuit and/or control boards to be commercially free from defects in material and workmanship for three years from the date of installation.

2.) Bunn warrants the compressor on refrigeration equipment to be commercially free from defects in material and workmanship for two years from the date of installation.

3.) Bunn warrants that the grinding burrs on coffee grinding equipment will grind coffee to meet original factory screen sieve analysis for three years from date of installation or for 30,000 pounds of coffee, whichever comes first.

This warranty does not apply to any equipment, component or part that was not manufactured by Bunn or that, in Bunn's judgement, has been affected by misuse, neglect, alteration, improper installation or operation, improper maintenance or repair, damage or casualty.

THE FOREGOING WARRANTY IS EXCLUSIVE AND IS IN LIEU OF ANY OTHER WARRANTY, WRITTEN OR ORAL, EXPRESS OR IMPLIED, INCLUDING, BUT NOT LIMITED TO, ANY IMPLIED WARRANTY OF EITHER MERCHANTABILITY OR FITNESS FOR A PARTICULAR PURPOSE. The agents, dealers or employees of Bunn are not authorized to make modifications to this warranty or to make additional warranties that are binding on Bunn. Accordingly, statements by such individuals, whether oral or written, do not constitute warranties and should not be relied upon.

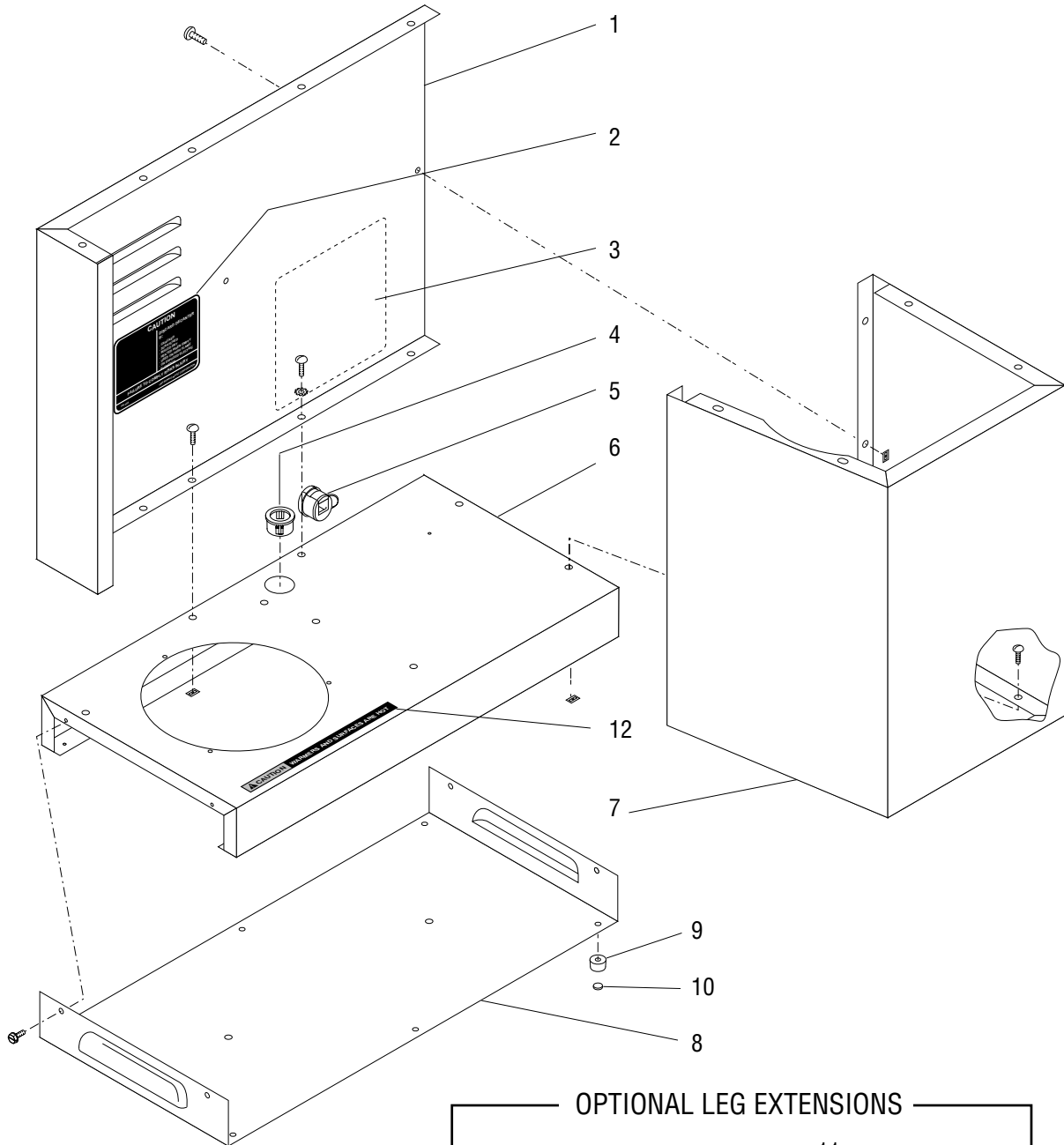
The Buyer shall give Bunn prompt notice of any claim to be made under this warranty by telephone at (217) 529-6601 or by writing to Post Office Box 3227, Springfield, Illinois, 62708-3227. If requested by Bunn, the Buyer shall ship the defective equipment prepaid to an authorized Bunn service location. If Bunn determines, in its sole discretion, that the equipment does not conform to the warranty, Bunn shall repair the equipment with no charge for parts during the warranty period and no charge for labor by a Bunn Authorized Service Representative during the warranty period. If Bunn determines that repair is not feasible, Bunn shall, at its sole option, replace the equipment or refund the purchase price for the equipment.

THE BUYER'S REMEDY AGAINST BUNN FOR THE BREACH OF ANY OBLIGATION ARISING OUT OF THE SALE OF THIS EQUIPMENT, WHETHER DERIVED FROM WARRANTY OR OTHERWISE, SHALL BE LIMITED, AS SPECIFIED HEREIN, TO REPAIR OR, AT BUNN'S SOLE OPTION, REPLACEMENT OR REFUND.

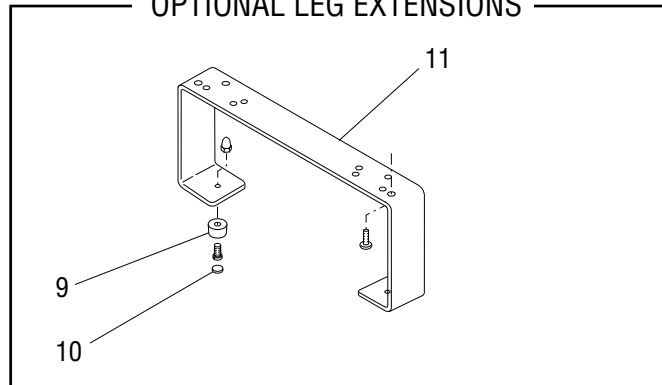
In no event shall Bunn be liable for any other damage or loss, including, but not limited to, lost profits, lost sales, loss of use of equipment, claims of Buyer's customers, cost of capital, cost of down time, cost of substitute equipment, facilities or services, or any other special, incidental or consequential damages.

TABLE OF CONTENTS

Electrical and Operating Controls	18
Funnels, Pitcher and Filter Basket	22
Fill Basin	12
Hood and Top Covers (VPR-VPRA)	8
Hood and Top Covers (VPS-VPASA)	10
Galley Kit	24
Numerical Index	26
Tank and Components	14
Trunks and Panel (VPR-VPRA)	4
Trunks and Panels (VPS-VPASA)	6

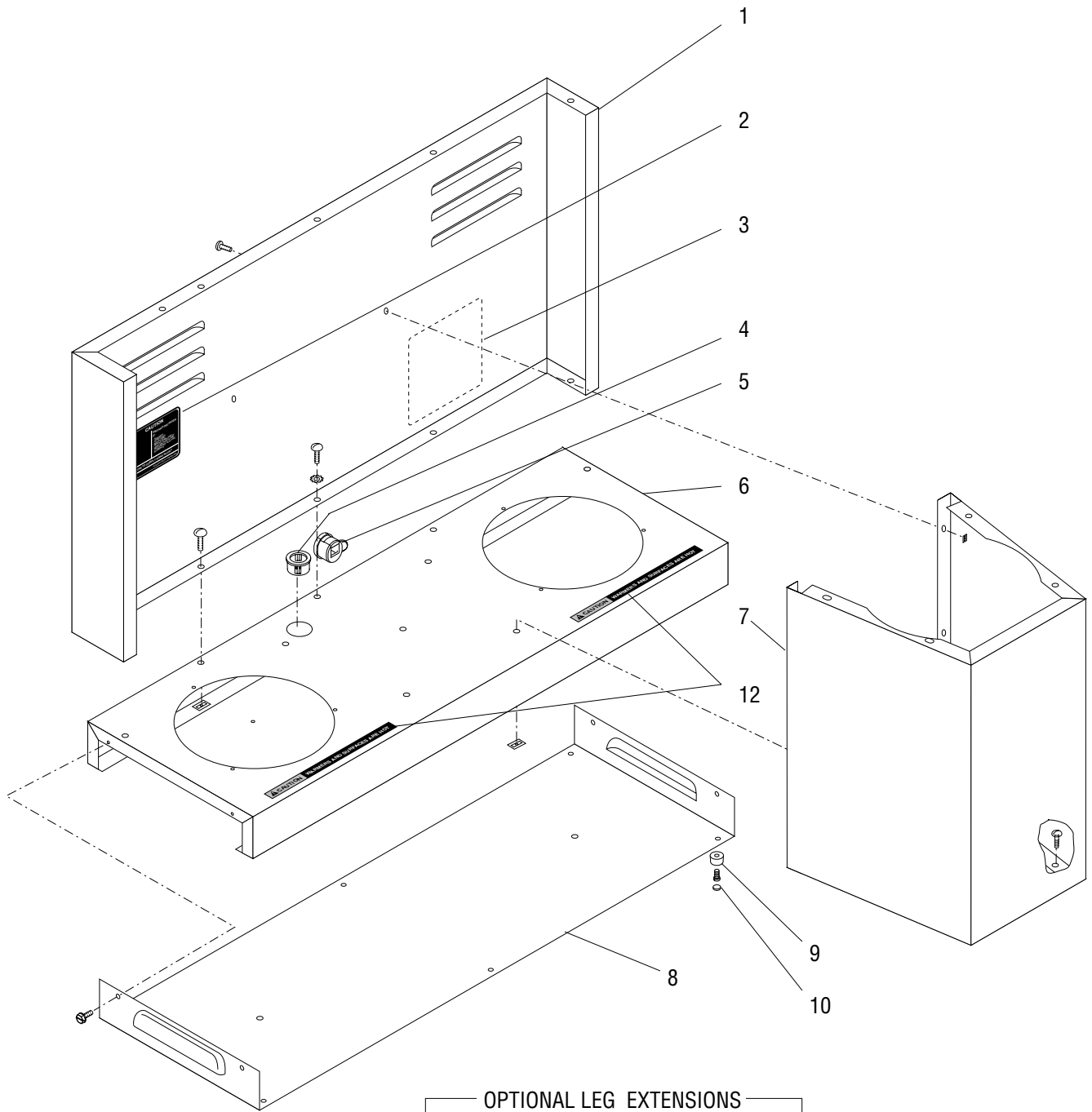


OPTIONAL LEG EXTENSIONS

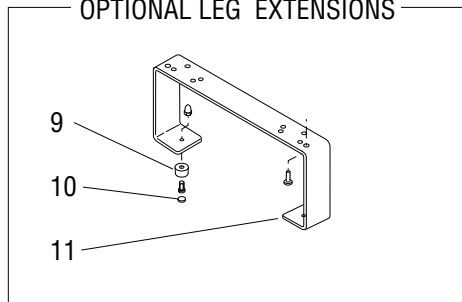


TRUNKS AND PANELS VPR - VPRA

ITEM	PART NO.	QTY.	DESCRIPTION
1	25132.0000	1	Panel W/Decals, Trunk Rear - BRN (Includes items 2 & 3)
	25132.0001	1	Panel W/Decals, Trunk Rear - BLK (Includes items 2 & 3)
	01311.0000	5	Screw, Truss Head #8-32 x .25"
	00978.0000	5	Fastener, Flat Type #8-32
	01511.0000	1	Lockwasher, Ext. Tooth #8
2	00658.0000	1	Decal, Caution - Decanter/Funnel
3	00831.0000	1	Decal, Warning-Electrical
4	01663.0000	1	Bushing, Snap - .875" Dia
5	01686.0000	1	Bushing, Strain Relief - Nylon
6	06202.1000	1	Housing, Base (VPR)(Includes item 12)
7	06204.0000	1	Housing, Trunk Front (WG)
	06204.0003	1	Housing, Trunk Front (BLK)
	01311.0000	5	Screw, Truss Head #8-32 x .25"
	00978.0000	5	Fastener, Flat Type #8-32
8	06203.0000	1	Cover, Base
	02332.0002	6	Screw, Hex-Crimptite #6-32 x .375"
9	03995.0000	4	Foot, Rubber - .75 OD x .44 HT
	02332.0002	4	Screw, Hex-Crimptite #6-32 x .38" } Early Models
	-----	4	Foot, Rubber - .75 OD x .44 HT (Order item 13)(Late Models)
	01390.0000	4	Screw, Round Head - Phillip #8-32 x .62" } For Optional
	02324.0000	4	Nut, Acorn - High Crown #8-32 } Leg Extension
10	03992.0000	4	Plug, Foot-Rubber (Early Models)
11	02776.0000	2	Leg, Extensions - 3.5" HT (Optional)
	02332.0002	4	Screw, Hex-Crimptite #6-32 x .38"
12	12364.0000	1	Decal, Caution - warmers are hot
13	04198.0001	-	Kit, Foot (Includes 4 of item 9)

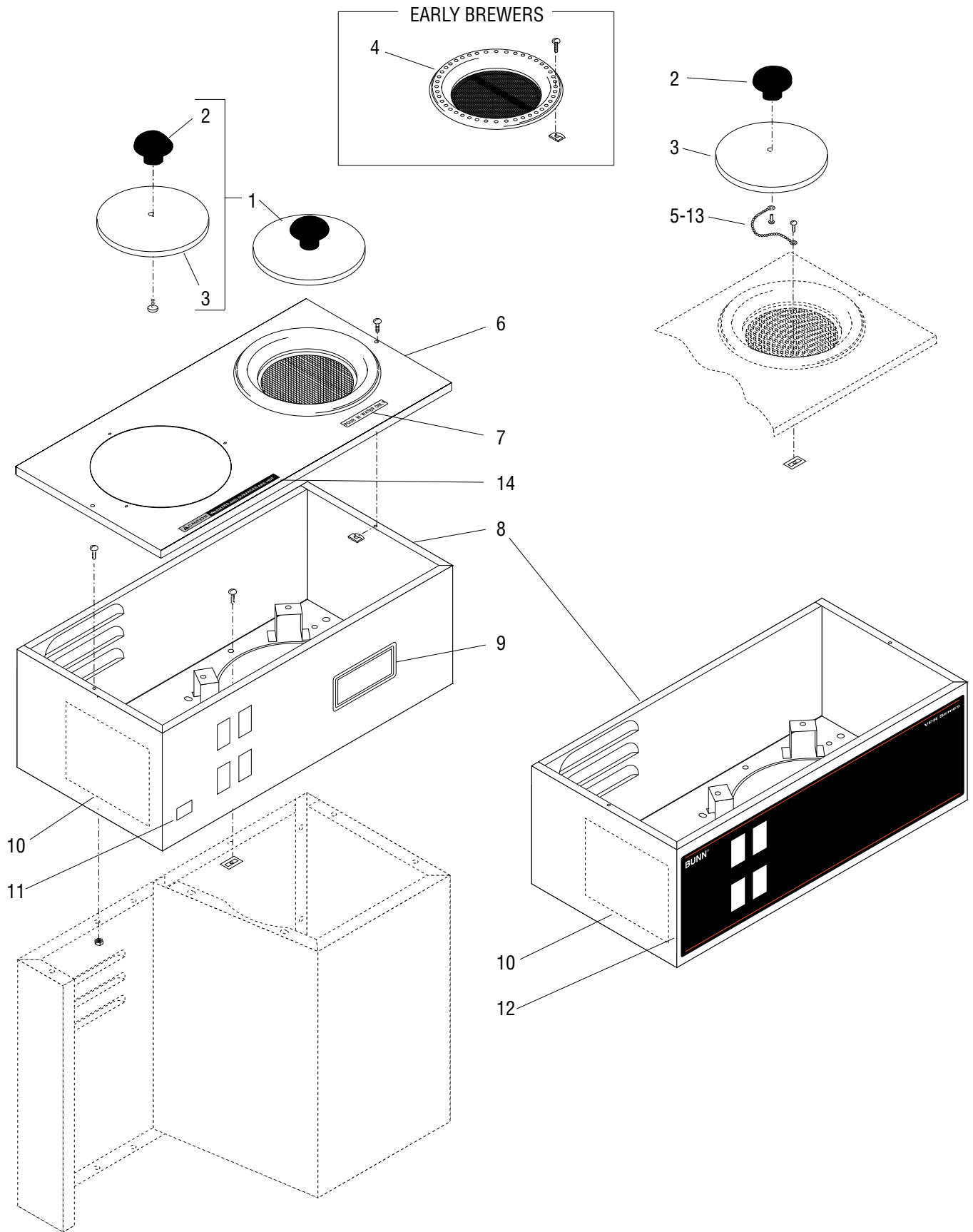


OPTIONAL LEG EXTENSIONS



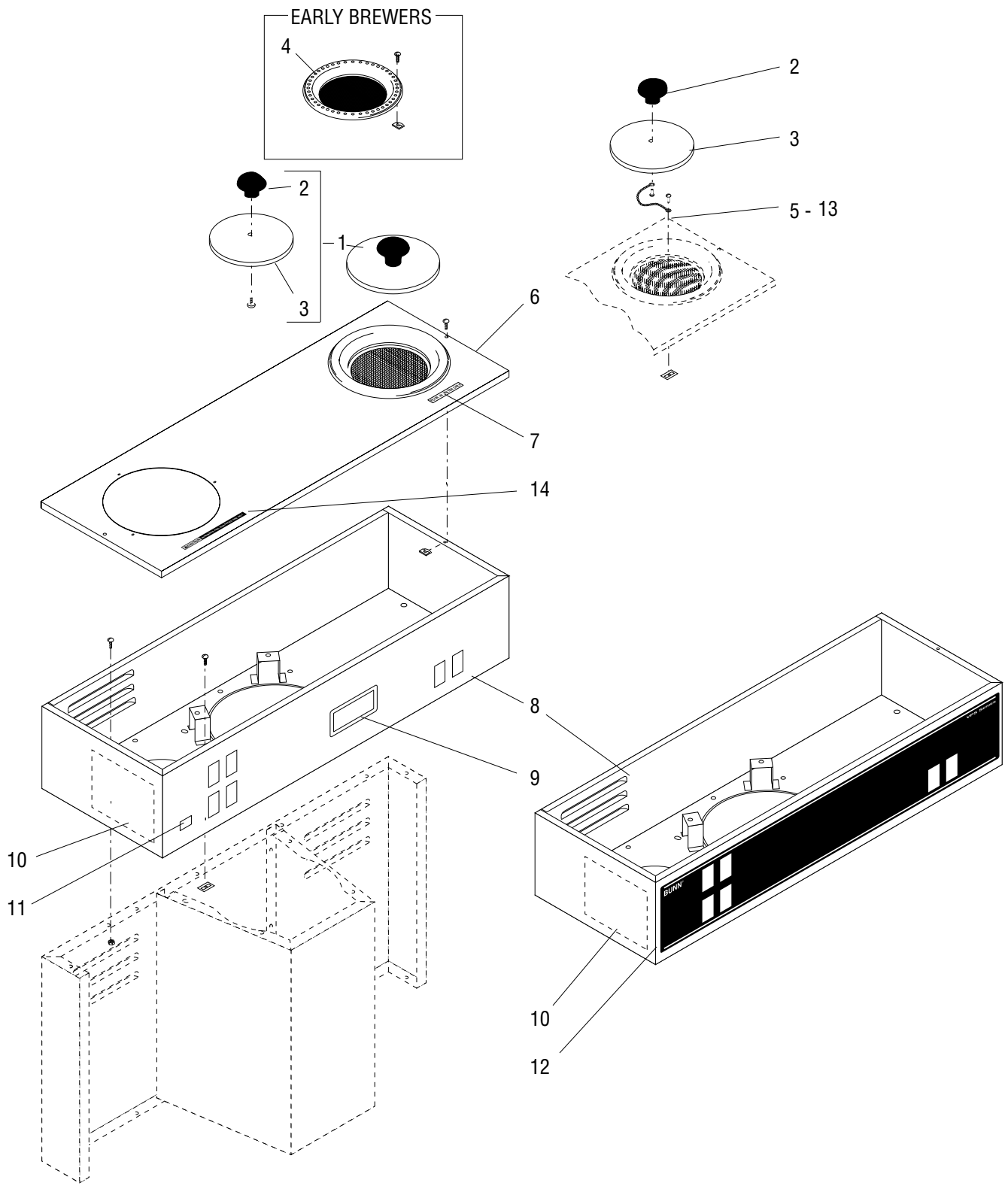
TRUNKS AND PANELS VPS - VPSA

ITEM	PART NO.	QTY.	DESCRIPTION
1	25154.0000	1	Panel W/Decals, Trunk Rear - BRN (Includes items 2 & 3)
	25154.0001	1	Panel W/Decals, Trunk Rear - BLK (Includes items 2 & 3)
	01311.0000	5	Screw, Truss Head #8-32 x .25"
	00978.0000	5	Fastener, Flat Type #8-32
	01511.0000	1	Lockwasher, Ext. Tooth #8
2	00658.0000	1	Decal, Caution - Decanter/Funnel
3	00831.0000	1	Decal, Warning-Electrical
4	01663.0000	1	Bushing, Snap - .875" Dia
5	01686.0000	1	Bushing, Strain Relief - Nylon
6	04273.1000	1	Housing, Base (VPS)(Includes item 12)
	04272.0002	1	Housing, Base (VPSA)
7	04204.0000	1	Housing, Trunk Front (WG)
	04204.0003	1	Housing, Trunk Front (BLK)
	01311.0000	6	Screw, Truss Head #8-32 x .25"
	00978.0000	6	Fastener, Flat Type #8-32
8	04203.0000	1	Cover, Base
	02332.0002	6	Screw, Hex-Crimptite #6-32 x .375"
9	03995.0000	4	Foot, Rubber - .75 OD x .44 HT
	02332.0002	4	Screw, Hex-Crimptite #6-32 x .38" } Early Models
	-----	4	Foot, Rubber - .75 OD x .44 HT (Order item 13)(Late Models)
	01390.0000	4	Screw, Round Head - Phillip #8-32 x .62" } For Optional
	02324.0000	4	Nut, Acorn - High Crown (SST) #8-32 } Leg Extension
10	03992.0000	4	Plug, Foot-Rubber (Early Models)
11	02776.0000	2	Leg, Extensions - 3.5" HT (Optional)
	02332.0002	4	Screw, Hex-Crimptite #6-32 x .38"
12	12364.0000	2	Decal, Caution - warmers are hot
13	04198.0001	-	Kit, Foot (Includes 4 of item 9)



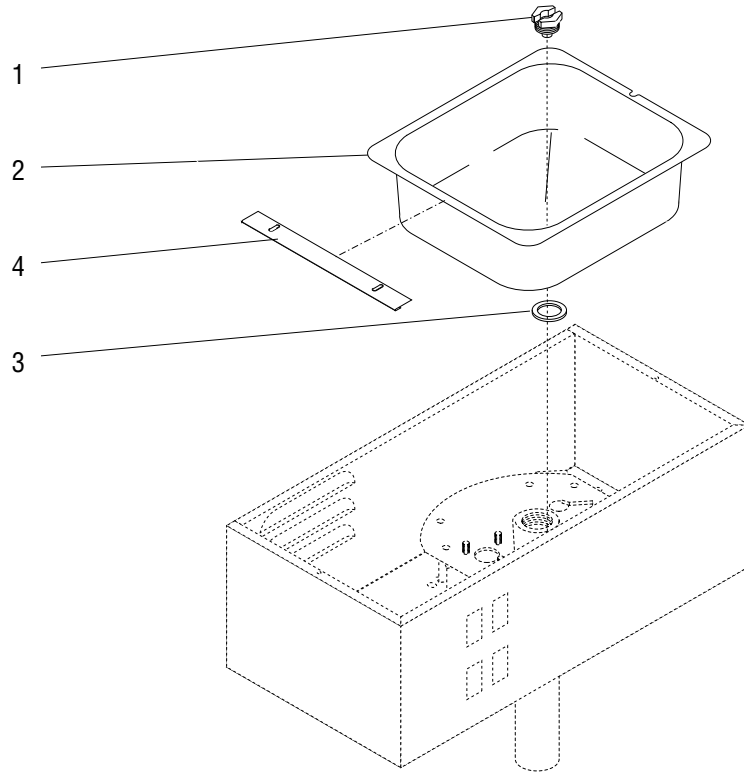
HOOD AND TOP COVERS VPR - VPRA

ITEM	PART NO.	QTY.	DESCRIPTION
1	01109.0000	1	Lid Assembly, Pour-In W/BRN Knob (Includes items 2 & 3)
	02564.0000	1	Lid Assembly, Pour-In W/BLK Knob (Includes items 2 & 3)
2	00721.0000	1	Knob, Brown Threaded
	00725.0000	1	Knob, Black Threaded
	01315.0000	1	Screw, Truss Head #8-32 x .38"
3	01192.0000	1	Cover Plate (SST)
4	02871.0000	1	Screen Assembly, Pour-In (Early Brewers)
	01303.0000	3	Screw, Pan Head #4-40 x .50"
	00916.0000	3	Fastener, J-Type #4-40
5	02793.0000	1	Chain Assembly, 6.5" LG (See Item 13)
	01318.0000	1	Screw, Round Head #8-32 x .50"
	01382.0000	1	Screw, Truss Head #6-32 x .375
	00952.0000	1	Fastener, Flat Type #6-32
6	25130.0000	1	Cover Assembly, Top W/Decal (Includes items 7 & 14)
	01303.0000	2	Screw, Pan Head #4-40 x .50"
	00916.0000	2	Fastener, J-Type #4-40
7	00833.0000	1	Decal, Pour In Water Only
8	25131.0000	1	Hood Assembly, W/Decal (VPR-WG) (Includes Items 9 & 10)
	25131.0001	1	Hood Assembly, W/Decal (VPR-BLK) (Includes items 10 & 12)
	25131.0002	1	Hood Assembly, W/Decal (VPRA-WG) (Includes items 9,10 & 11) (Prior to 1/3/97)
	27701.0000	1	Hood Assembly, W/Decal (VPRA-WG) Includes items 9, 10 & 11) (Effective 1/3/97)
	25131.0003	1	Hood Assembly, W/Decal (VPRA-BLK) (Includes items 10 & 12) (Prior to 1/3/97)
	27701.0001	1	Hood Assembly, W/Decal (VPRA-BLK) (Includes items 10 & 12) (Effective 1/3/97)
	01311.0000	7	Screw, Truss Head #8-32 x .25"
	01315.0000	1	Screw, Truss Head #8-32 x .38"
	00978.0000	6	Fastener, Flat Type #8-32
	00912.0000	2	Fastener, J-Type #8-32
	00908.0000	1	Nut, hex #8-32
	00970.0000	1	Nut, Keps #8-32
	9	00835.0000	1
10	10050.0000	1	Decal, Schematic-Electrical (120V)
11	01906.0000	1	Decal, Power On (VPRA-WG)
12	21137.0000	1	Decal, Control Panel (VPR-BLK) (Shown)
	21137.0001	1	Decal, Control Panel (VPRA-BLK) (Prior to 1/3/97)
	27694.0000	1	Decal, Control Panel (VPRA-BLK) (Effective 1/3/ 97)
13	02794.0000	1	Chain Kit, Pour-in Lid (Includes item 5 and attaching hardware)
14	12364.0000	1	Decal, Caution - WARMERS ARE HOT



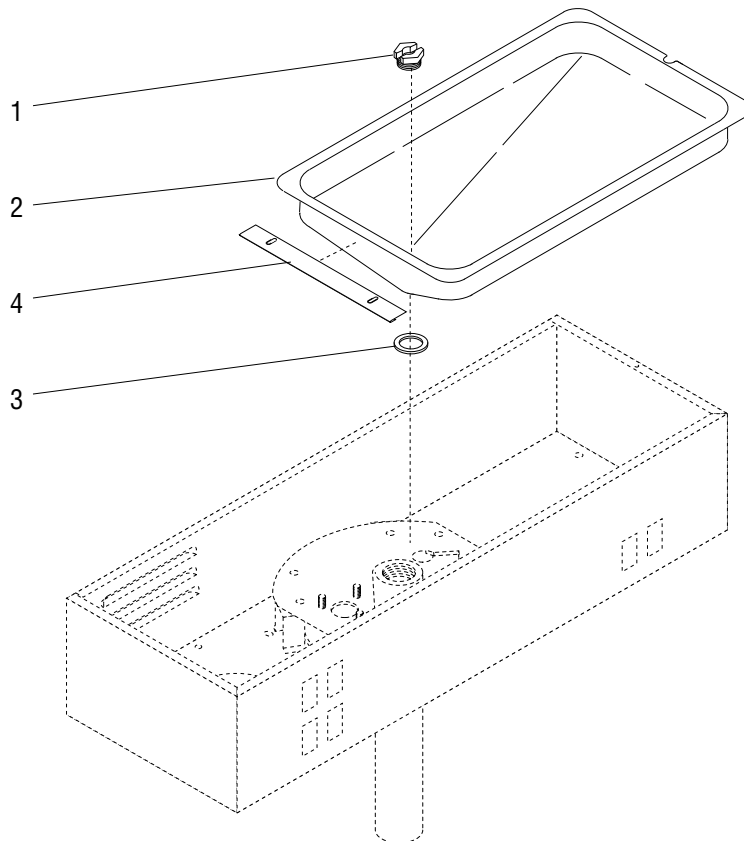
HOOD AND TOP COVERS VPS - VPSA

ITEM	PART NO.	QTY.	DESCRIPTION
1	01109.0000	1	Lid Assembly, Pour-In W/BRN Knob (Includes items 2 & 3)
	02564.0000	1	Lid Assembly, Pour-In W/BLK Knob (Includes items 2 & 3)
2	00721.0000	1	Knob, Brown Threaded
	00725.0000	1	Knob, Black Threaded
	01315.0000	1	Screw, Truss Head #8-32 x .38"
3	01192.0000	1	Cover Plate (SST)
4	02871.0000	1	Screen Assembly, Pour-In (Early Brewers)
	01303.0000	3	Screw, Pan Head #4-40 x .50"
	00916.0000	3	Fastener, J-Type #4-40
5	02793.0000	1	Chain Assembly, 6.5" LG (See Item 13)
	01318.0000	1	Screw, Round Head #8-32 x .50"
	01382.0000	1	Screw, Truss Head #6-32 x .375
	00952.0000	1	Fastener, Flat Type #6-32
6	25155.0000	1	Cover Assembly, Top W/Decal (Includes items 7 & 14)
	01303.0000	2	Screw, Pan Head #4-40 x .50"
	00916.0000	2	Fastener, J-Type #4-40
7	00833.0000	1	Decal, Pour In Water Only
8	25156.0000	1	Hood Assembly, W/Decal (VPS-WG) (Includes Items 9 & 10)
	25156.0001	1	Hood Assembly, W/Decal (VPS-BLK) (Includes items 10 & 12)
	-----	1	Hood Assembly, W/Decal (VPSA-WG) (Includes items 9,10 & 11) (Prior to 1/3/97)
	27702.0000	1	Hood Assembly, W/Decal (VPSA-WG) (Includes items 9,10 & 11) (Effective 1/3/97)
	-----	1	Hood Assembly, W/Decal (VPSA-BLK) (Includes items 10 & 12) (Prior to 1/3/97)
	27702.0001	1	Hood Assembly, W/Decal (VPSA-BLK) (Includes items 10 & 12) (Effective 1/3/97)
	01311.0000	9	Screw, Truss Head #8-32 x .25"
	01315.0000	1	Screw, Truss Head #8-32 x .38"
	00978.0000	8	Fastener, Flat Type #8-32
	00912.0000	2	Fastener, J-Type #8-32
	00908.0000	1	Nut, hex #8-32
	00970.0000	1	Nut, Keps #8-32
9	00835.0000	1	Decal, BUNN POUR-O-MATIC (WG)
10	10049.0000	1	Decal, Schematic-Electrical (120V)
11	01906.0000	1	Decal, Power On (VPSA-WG)
12	21138.0000	1	Decal, Control Panel (VPS-BLK) (Shown)
	21138.0001	1	Decal, Control Panel (VPSA-BLK) (Prior to 1/3/97)
	27695.0000	1	Decal, Control Panel (VPSA-BLK) (Effective 1/3/ 97)
13	02794.0000	1	Chain Kit, Pour-in Lid (Includes item 5 and attaching hardware)
14	12364.0000	1	Decal, Caution - WARMERS ARE HOT



VPR-Vpra

P-553

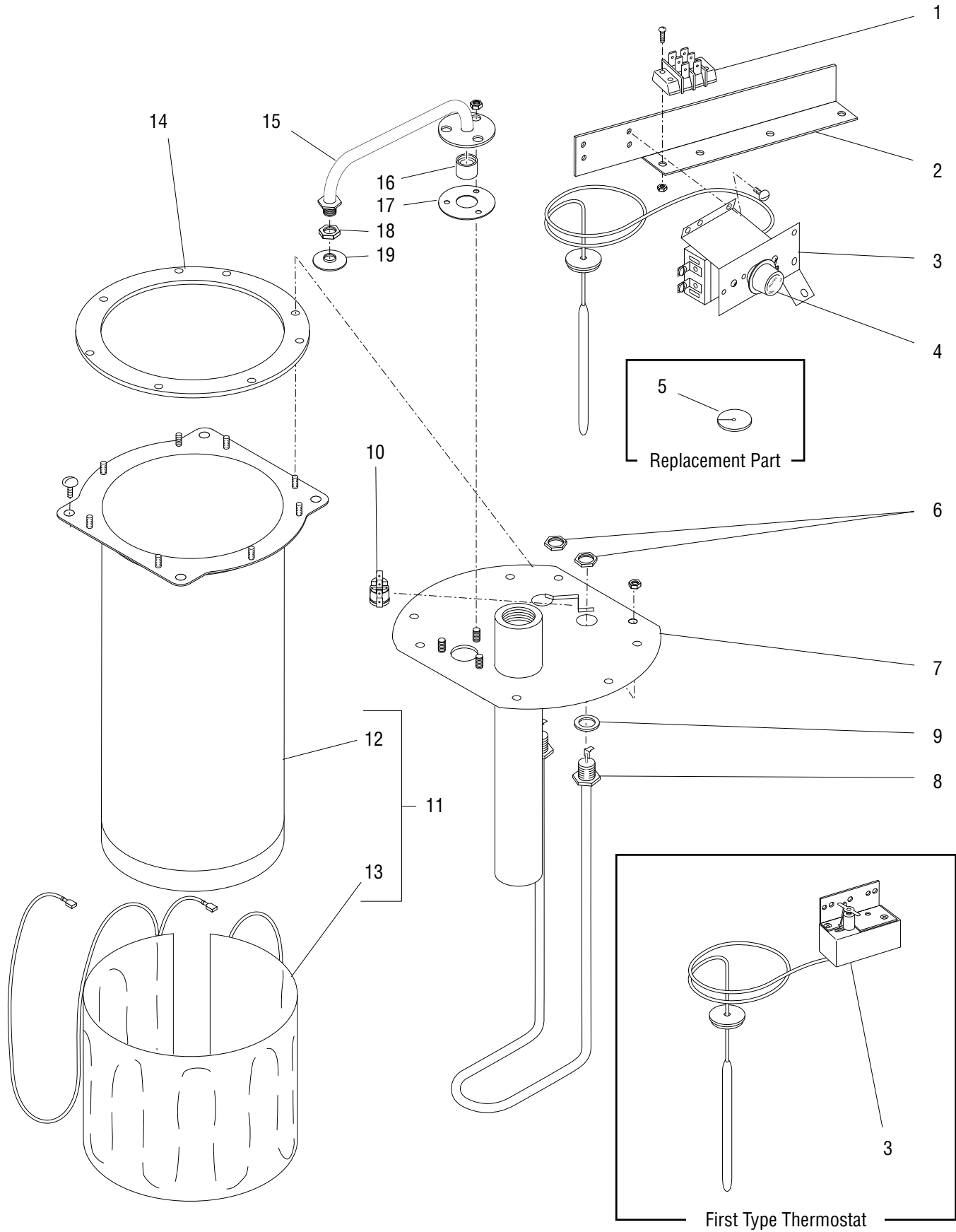


VPS - Vpsa

P-560

FILL BASIN

ITEM	PART NO.	QTY.		DESCRIPTION
				* VPR - VPRA
				** VPS - VPSA
		*	**	
1	01212.0000	1	1	Fitting, Tank Inlet
2	06220.0000	1	-	Fill Basin (SST)
	04270.0000	-	1	Fill Basin (SST)
3	01201.0000	1	1	Gasket, Tank Inlet
4	11424.0000	1	1	Plate, Splash Guard

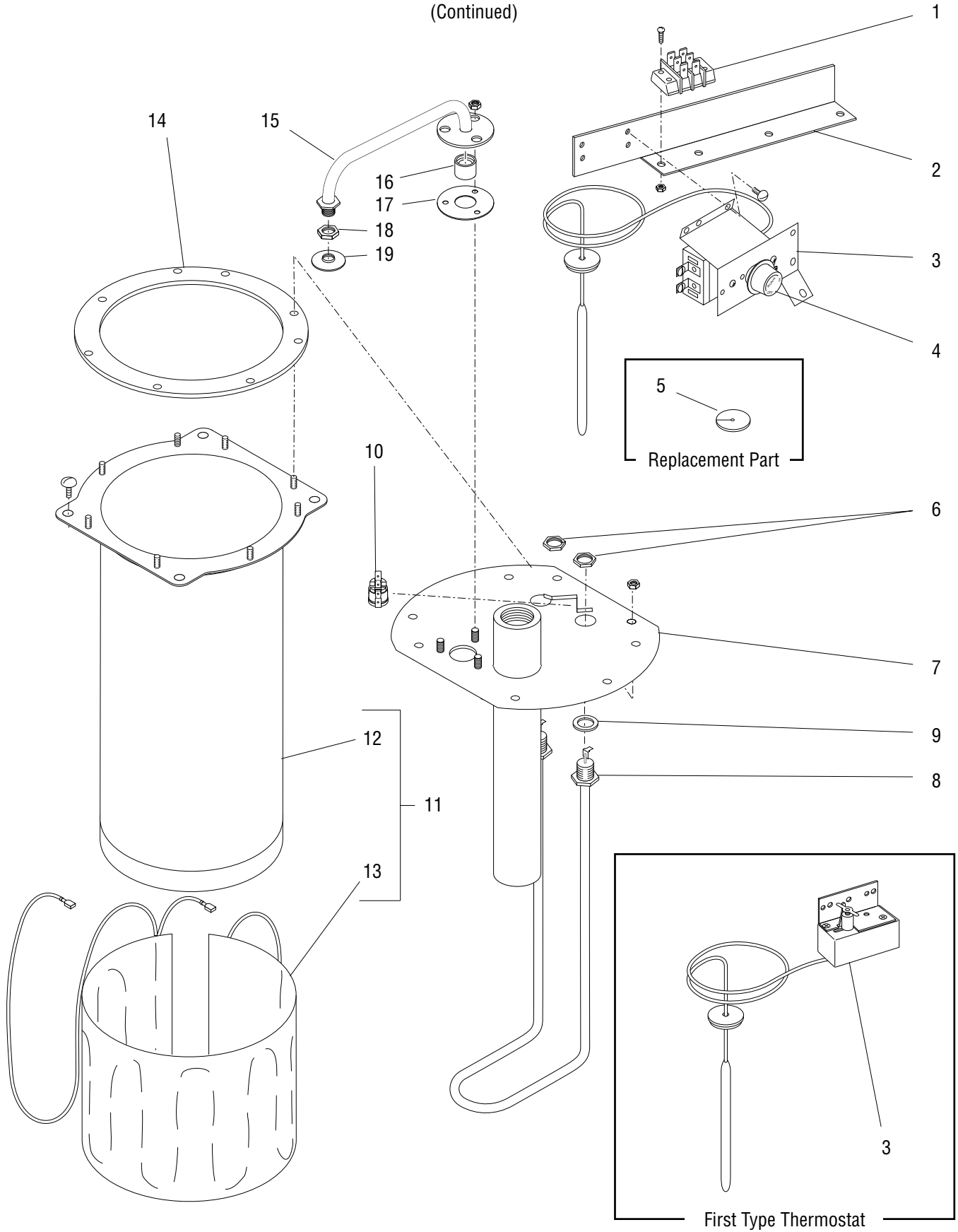


TANK AND COMPONENTS

ITEM	PART NO.	QTY.	DESCRIPTION
-	05697.0006	1	Tank Assembly, 1320W 120V (Includes items 1 thru 17 & 20 thru 23)
	-----	1	Tank Assembly, 1850W 220V (Includes items 1 thru 9, 11 thru 17, 20 thru 22 & 24) (Prior to 1/3/97 on "A" models only. Order new model Tank Assembly)
	27706.0000	1	Tank Assembly, 1850W 220V (Includes items 1 thru 9, 11 thru 17, 20 thru 22 & 24) (Effective 1/3/97 on "A" models only)
	01315.0000	2	Screw, Truss Head (SST) 8-32 x .38"
1	04309.0000	1	Terminal Block
	01390.0000	2	Screw, Round Head (SST) 8-32 x .62"
	00970.0000	2	Nut, Keps 8-32
2	04307.0000	1	Bracket Assembly, Thermostat/Terminal Block Mounting
3	28319.0000	1	Thermostat Kit (Includes items 4 & 5) (Also replaces First Type Thermostat)
	01311.0000	2	Screw, Truss Head (SST) 8-32 x .25"
	20762.0000	2	Screw, Binding Head 8-32 x .25" (Terminal Screws)
4	00720.0000	1	Knob, Thermostat
5	07073.0000	1	Grommet, Thermostat
6	00942.0000	2	Nut, Hex - Brass .50"-20
7	05545.0000	1	Tank Lid Assembly
	00908.0000	8	Nut, Hex 8-32
8	04236.1000	1	Tank Heater Kit 1320W 120V (Includes item 9)
	01925.1000	1	Tank Heater Kit 1850W 220V (Includes item 9)
9	00943.0000	2	Gasket, Tank Heater
10	29329.1000	1	Thermostat, Limit (Not used on "A" Models)
11	04119.0001	1	Tank W/Blanket Warmer 120V (Includes items 12 & 13)
	04133.0000	1	Tank W/Blanket Warmer 220V (Includes items 12 & 13)
12	04118.0000	1	Tank
13	20264.0000	1	Blanket Warmer, 55W 120V
	01927.0000	1	Blanket Warmer, 50W 220V
14	04221.0000	1	Gasket, Tank Lid
15	05555.0002	1	Sprayhead Tube Kit (Includes 3 mounting nuts below, items 16 & 17)
	00908.0000	3	Nut, Hex 8-32
16	05518.0000	1	Hub, Syphon
17	05515.0000	1	Gasket, Sprayhead Tube
18	01075.0000	1	Nut, Hex .438"-20
19	01082.0000	1	Sprayhead, 6-Hole
	01082.0005	1	Sprayhead, 5-Hole (Optional)
	01082.0006	1	Sprayhead, 1-Hole (Optional-Pouch Pack)
Note: The following items are not illustrated			
20	21016.0005	1	Lead, Elec - Wht 12" Terminal Block to Heater (VPR-VPS)
	21016.0049	1	Lead, Elec - Red 12" Terminal Block to Heater (VPRA-VP5A)

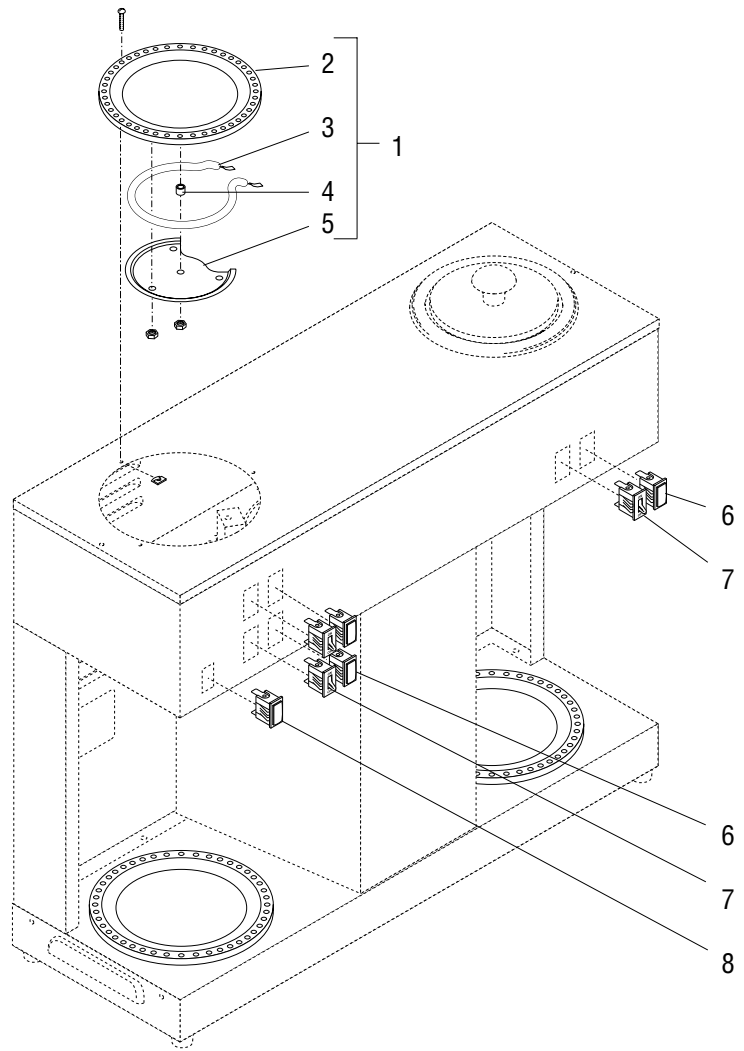
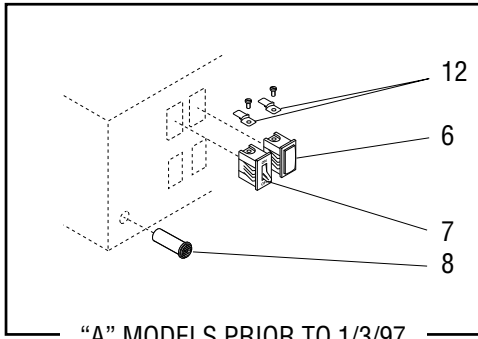
(Continued)

(Continued)

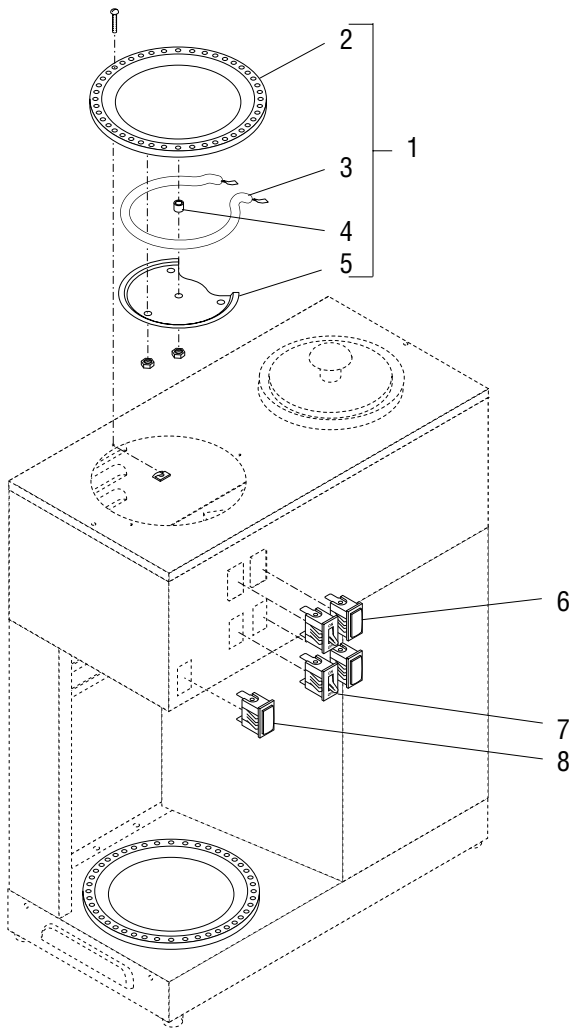


TANK AND COMPONENTS

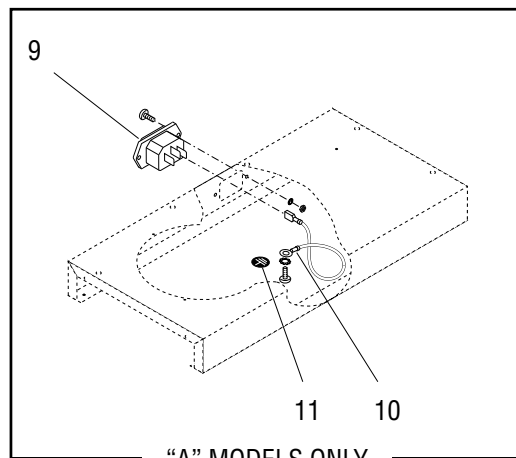
ITEM	PART NO.	QTY.	DESCRIPTION
21	21016.0006	1	Lead, Elec - Blk 10" Terminal Block to Control Thermostat (VPR-VPS also VPRA-VPSA prior to 1/3/97)
	21016.0244	1	Lead, Elec - Blk 10" Terminal Block to Control Thermostat (VPRA-VPSA Effective 1/3/97)
22	21016.0007	1	Lead, Elec - Blu/Blk 23" Control Thermo to Limit Thermostat(VPR-VPS also VPRA-VPSA prior to 1/3/97)
	21016.0029	1	Lead, Elec - Blu/Blk 23" Control Thermo to Limit Thermostat (VPRA-VPSA Effective 1/3/97)
23	21016.0008	1	Lead, Elec - Blk 4" Limit Thermo to Tank Heater (VPR-VPS only)
24	04776.0000	2	Thermal Cut-Off W/Lead Assembly (VPRA-VPSA only)



VPS -VPSA



VPR - VPRA

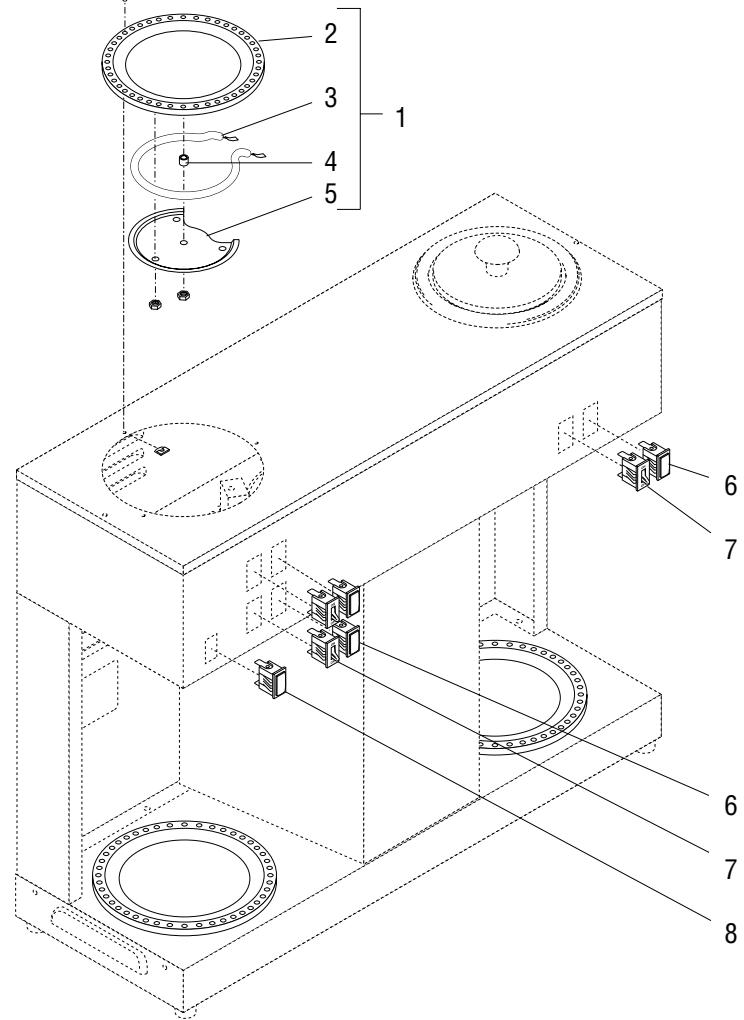
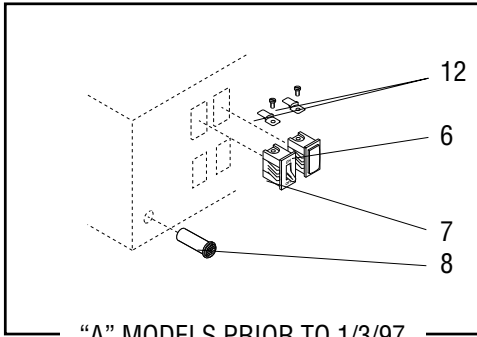


ELECTRICAL AND OPERATING CONTROLS

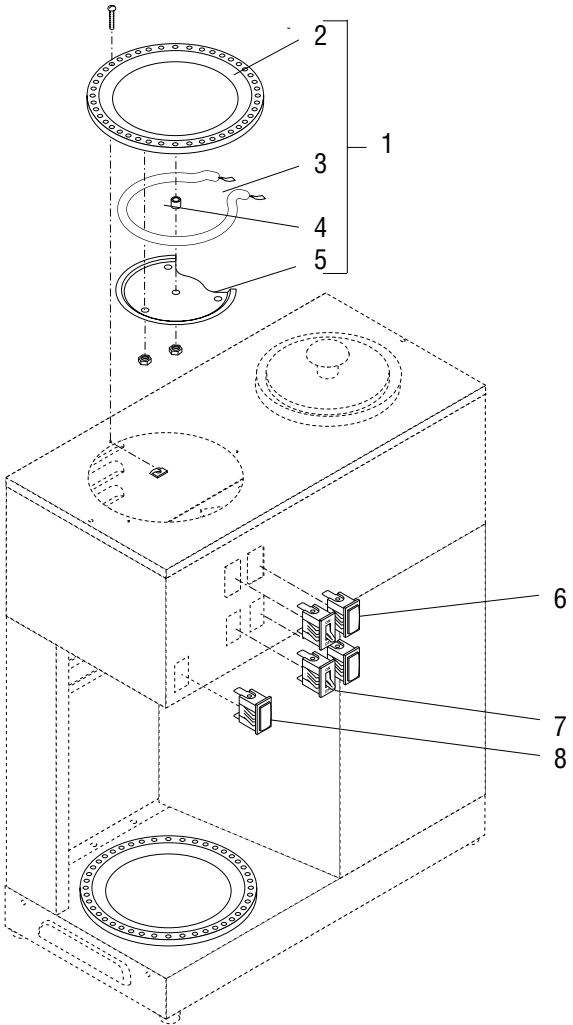
ITEM	PART NO.	QTY.	DESCRIPTION	
			* VPR - VPRA	
			** VPS - VPSA	
		* **		
1	03625.0000	2 3	Warmer Assembly, Brn 100W 120V	Includes Items 2 thru 5
	03652.0000	2 3	Warmer Assembly, Blk 100W 120V	
	01973.0000	2 3	Warmer Assembly, Brn 100W 220V	
	02817.0000	2 3	Warmer Assembly, Blk 100W 220V	
	01303.0000	6 9	Screw, Pan Head #4-40 x .50"	
	00916.0000	6 9	Fastener, J-Type	
2	03655.0000	1 1	Warmer Dish, Brn	
	03656.0000	1 1	Warmer Dish, Blk	
3	01227.0000	1 1	Warmer Element, 100W 120V (Shown)	
	01951.0000	1 1	Warmer Element, 100W 220V (Not illustrated)	
4	13042.0001	1 1	Spacer, .174" I.D. .188" (120V Warmers only)	
5	05212.0000	1 1	Plate, Warmer Retainer	
	00970.0000	2 2	Nut, Keps #8-32	
6	04226.0000	2 3	Lamp, Brn 125V	
	04226.0002	2 3	Lamp, Blk 125V	
	01089.0001	2 3	Lamp, Blk 240V (Prior to 1/3/97 on "A" models only)	
	27691.0000	2 3	Lamp, Blk 240V (Effective 1/3/97 on "A" models only)	
7	04225.0000	2 3	Switch, On/Off Toggle - Brn	"A" models only
	04225.0002	2 3	Switch, On/Off Toggle - Blk	
	01186.0000	2 3	Switch, On/Off Toggle (Prior to 1/3/97)	
	27689.0000	2 3	Switch, On/Off Toggle (Effective 1/3/97)	
8	01905.0000	1 1	Lamp, Power-On 220V (Prior to 1/3/97)	
	27691.0000	1 1	Lamp, Power-On 220V (Effective 1/3/97)	
9	01908.0000	1 1	Power Connector, 10A 250V	
	01362.0000	2 2	Screw, Oval Head #4-40 x .50"	
	01509.0000	2 2	Lockwasher, External Tooth, # 4	
	00937.0000	2 2	Nut, Hex #4-40	
10	-----	1 1	Lead, Ground Grn/Yel (Not Available)	"A" models only
	01375.0000	1 1	Pan Head (Brass) #10-32 x .50"	
	01512.0000	1 1	Lockwasher, External Tooth #10	
11	00824.0000	1 1	Decal, Ground	
12	01667.0000	12 12	Terminal, .25"	
Note: The following items are not illustrated				
13	21016.0011	1 1	Lead, Ground - Grn/Yel (Upper Warmer)	
	21016.0012	1 2	Lead, Ground - Grn/Yel (Lower Warmer)	
14	01637.0000	1 1	Cord Assembly, Power (VPR, VPS)	
	01311.0000	1 1	Screw, Truss Head #8-32 x .25"	
	01511.0000	1 1	Lockwasher, External Tooth #8	
	00970.0000	1 1	Nut, Keps #8-32	
	01716.0000	1 1	Cord Assembly, Power (VPRA, VPSA)	
	02337.0000	1 1	Screw, Zinc Pltd. "AB" #10-32 x .38"	

(Continued)

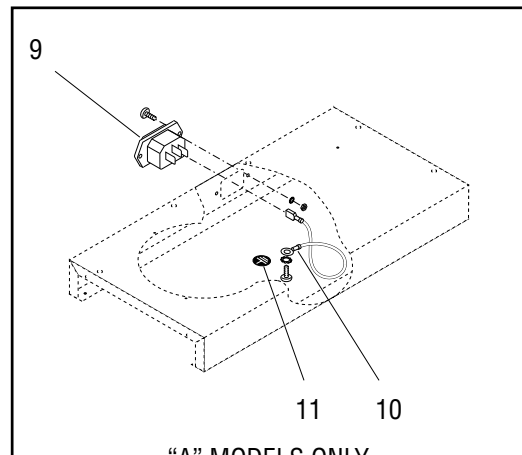
(Continued)



VPS -VPSA



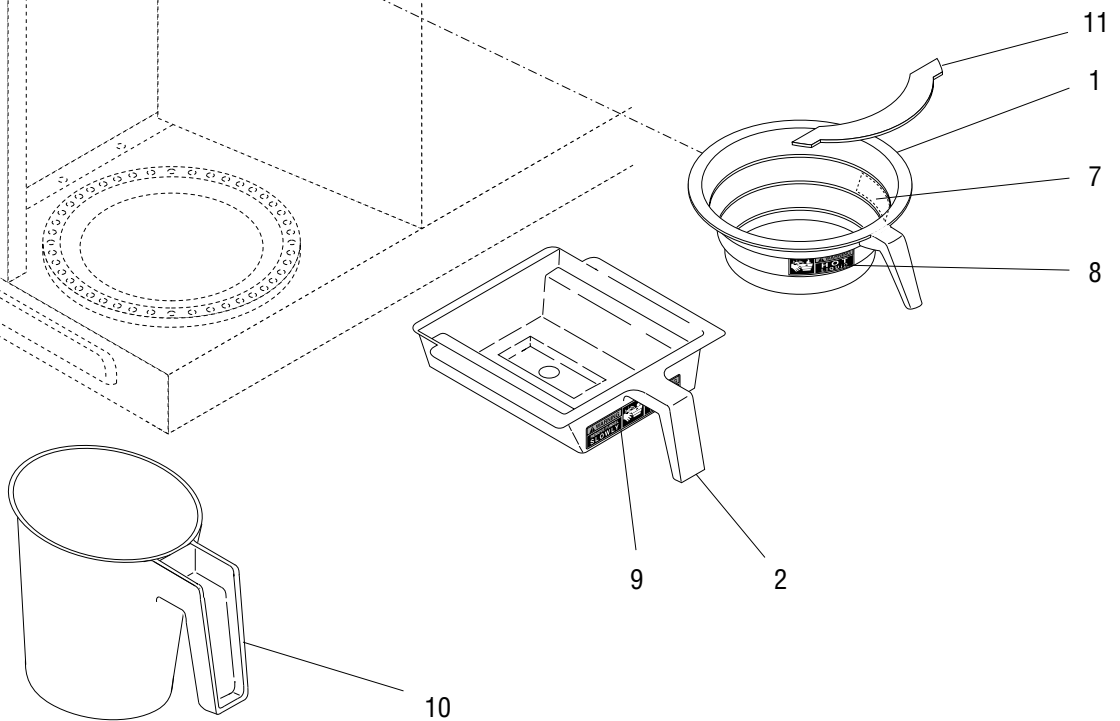
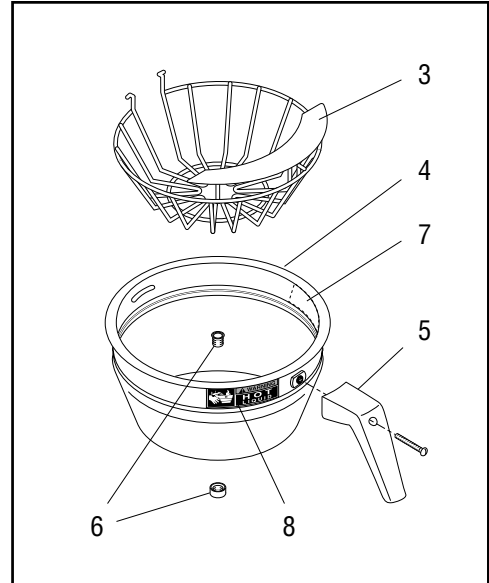
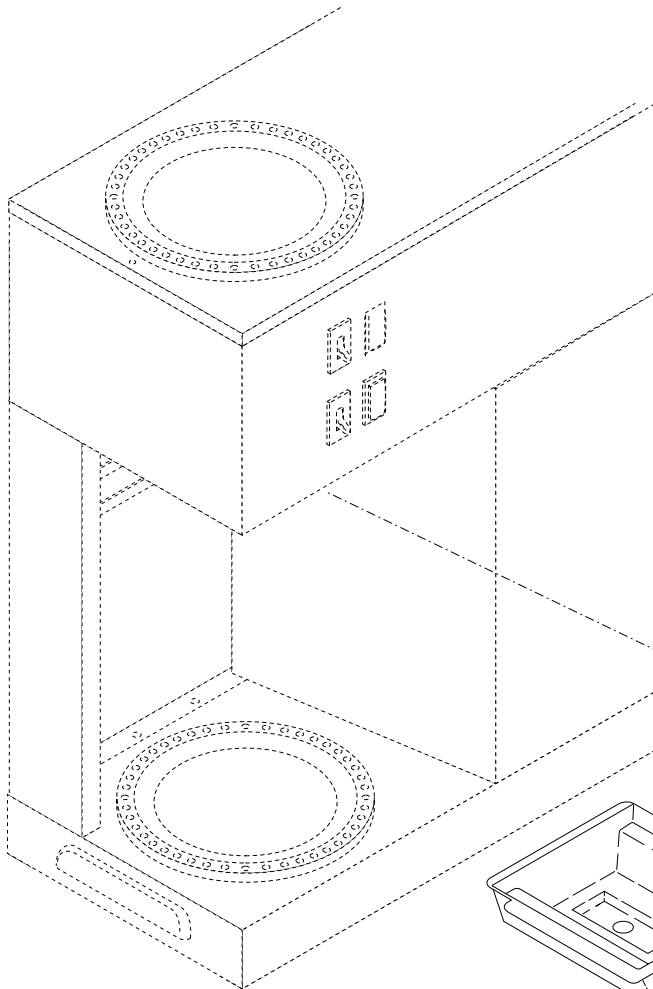
VPR - VPRA



“A” MODELS ONLY

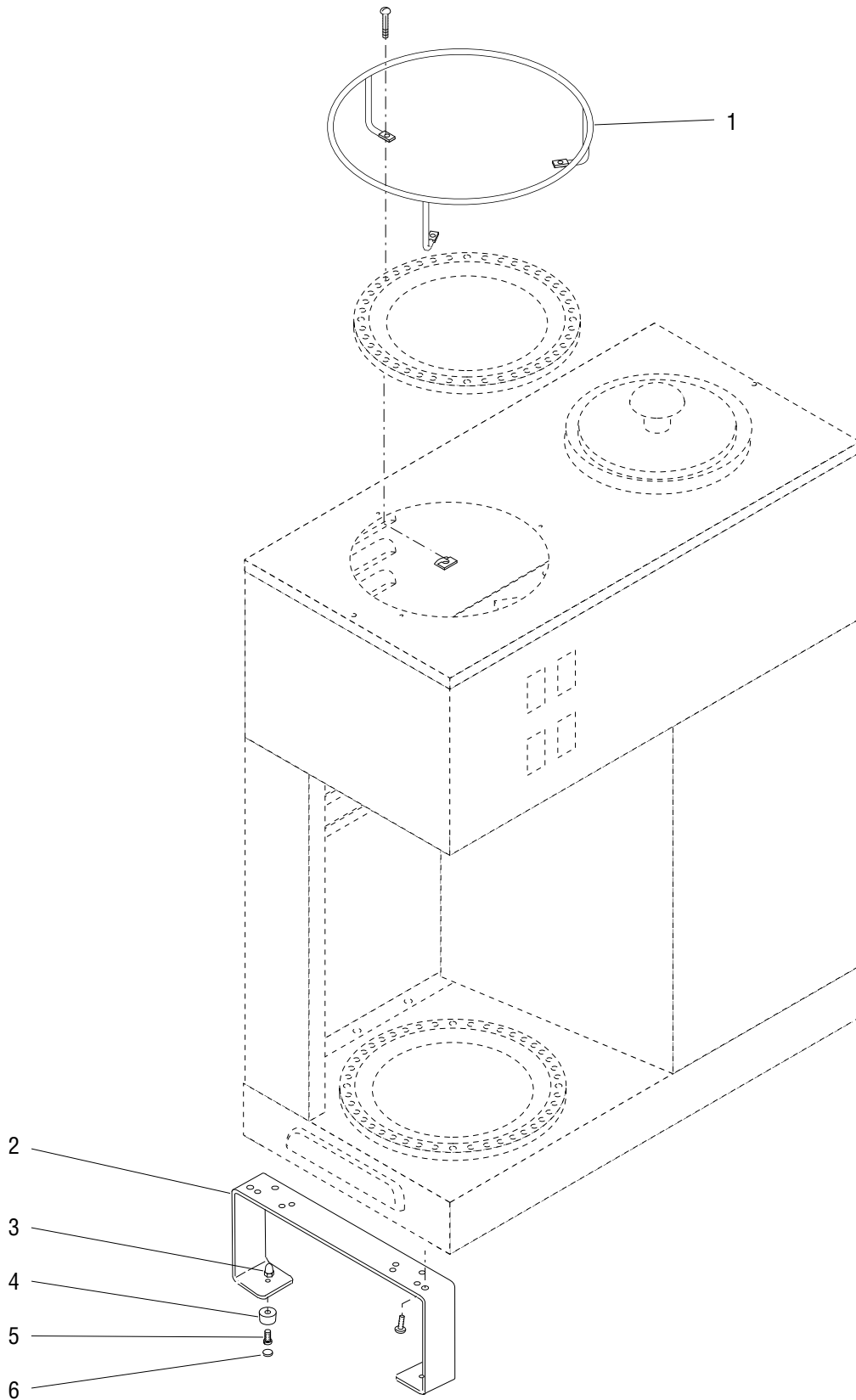
ELECTRICAL AND OPERATING CONTROLS

ITEM	PART NO.	QTY.	DESCRIPTION
15	01854.0000	1 -	Wiring Harness, 120V (VPR)
	01898.0000	- 1	Wiring Harness, 120V (VPS)
	01901.0000	1 -	Wiring Harness, 240V (VPRA)
	01899.0000	- 1	Wiring Harness, 240V (VPSA)
16	21000.0031	1 1	Lead, Elec - Blk 7.5" (Power Light to Top Warmer Switch) (Prior to 1/3/97 on "A" models only)
	21000.0061	1 1	Lead, Elec - Blk 7.5" (Power Light to Top Warmer Switch) (Effective 1/3/97 on "A" models only)
17	21005.0016	1 1	Lead, Elec - Red/Blk 8.5" (Power Light to Top Warmer Light) (Prior to 1/3/97 on "A" models only)
	21003.0066	1 1	Lead, Elec - Red 8.5" (Power Light to Top Warmer Light) (Effective 1/3/97 on "A" models only)



FUNNELS, PITCHER AND FILTER BASKET

ITEM	PART NO.	QTY.	DESCRIPTION
1	20583.0003	1	Funnel W/Decals, Plastic - Blk
	20583.0004	1	Funnel W/Decals, Plastic - Brn
	20583.0006	1	Funnel W/Decals, Plastic - Orn
	20216.0000	1	Funnel, SST W/Black Handle (7.125" Dia.) (Includes Items 3 thru 8)
	20216.0001	1	Funnel, SST W/Orange Handle (7.125" Dia.) (Includes items 3 thru 8)
2	02774.0010	1	Funnel W/Decals, Pouch Pack - Brn (Small)
	02774.0011	1	Funnel W/Decals, Pouch Pack - Blk (Small)
	04274.0010	1	Funnel W/Decals, Pouch Pack - Brn (Large)
	04274.0012	1	Funnel W/Decals, Pouch Pack - Blk (Large)
3	33088.0000	1	Filter Basket w/Splash Guard
4	28553.0000	1	Funnel, SST (Includes items 7 & 8)
5	20244.1000	1	Handle, Black
	20244.1001	1	Handle, Orange
	01331.0002	1	Screw, Round Head 10-32 x 1.50"
6	01031.0000	1	Funnel Tip Kit
7	03408.0002	1	Decal, Warning-Remove Funnel
8	03409.0002	1	Decal, Warning-Hot Liquid
9	28694.0000	1	Decal, Warning-Hot Liquid/Remove Funnel
10	04238.0000	1	Pitcher, 64 oz - Plastic
11	32964.0000	1	Splash Guard



GALLEY KIT

ITEM	PART NO.	QTY.	DESCRIPTION
-	24783.0000	1	Galley Kit (Includes items 1, 2, 3 & 5)(VPR-VPRA)
-	24783.0001	1	Galley Kit (Includes items 1, 2, 3 & 5)(VPS-VPSA)
1	24730.0000	2	Galley Rail, SST (One Additional Used On VPS and VPSA Brewers)
	01303.0000	3	Screw, Pan Head (SST) 4-40 x .50"
	00916.0000	3	Fastener, J-Type (SST) 4-40
2	02776.0000	2	Leg, Extension - 3.50HT
	02332.0002	4	Screw, Hex-Crimptite 6-32 x .38"
3	02324.0000	4	Nut, Acorn (SST) 8-32
4	03995.0000	4	Foot, Rubber
5	01390.0000	4	Screw, Round Head - Phillip (SST) 8-32 x .62"
6	03992.0000	4	Plug, Foot

NUMERICAL INDEX

PART NO.	PAGE NO.	PART NO.	PAGE NO.	PART NO.	PAGE NO.	PART NO.	PAGE NO.
00658.0000	5,7	01927.0000	15	06220.0000	13	27702.0000	11
00720.0000	15	01951.0000	19	07073.0000	15	27702.0001	11
00721.0000	9,11	01973.0000	19	10049.0000	11	27706.0000	15
00725.0000	9,11	02324.0000	5,7,25	10050.0000	9	28319.0000	15
00824.0000	19	02332.0002	5,7,25	11424.0000	13	28553.0000	23
00831.0000	5,7	02337.0001	19	12364.0000	5,7,9,11	28694.0000	23
00833.0000	9,11	02564.0000	9,11	13042.0001	19	29329.1000	15
00835.0000	9,11	02774.0010	23	20216.0000	23	32964.0000	23
00908.0000	9,11,15	02774.0011	23	20216.0001	23	33088.0000	23
00912.0000	9,11	02776.0000	5,7,25	20244.1000	23		
00916.0000	9,11,19,25	02793.0000	9,11	20244.1001	23		
00937.0000	19	02794.0000	9,11	20264.0000	15		
00942.0000	15	02817.0000	19	20583.0003	23		
00943.0000	15	02871.0000	9,11	20583.0004	23		
00952.0000	9,11	03408.0002	23	20583.0006	23		
00970.0000	9,11,15,19	03409.0002	23	20762.0000	15		
00978.0000	5,7,9,11	03625.0000	19	21000.0031	21		
01031.0000	23	03652.0000	19	21000.0061	21		
01075.0000	15	03655.0000	19	21003.0066	21		
01082.0000	15	03656.0000	19	21005.0016	21		
01082.0005	15	03992.0000	5,7,25	21016.0005	15		
01082.0006	15	03995.0000	5,7,25	21016.0006	17		
01089.0001	19	04118.0000	15	21016.0007	17		
01109.0000	9,11	04119.0001	15	21016.0008	17		
01186.0000	19	04133.0000	15	21016.0011	19		
01192.0000	9,11	04198.0001	5,7	21016.0012	19		
01212.0000	13	04203.0000	7	21016.0029	17		
01201.0000	13	04204.0000	7	21016.0049	15		
01227.0000	19	04204.0003	7	21016.0244	17		
01303.0000	9,11,19,25	04221.0000	15	21137.0000	9		
01311.0000	5,7,9,11,15,19	04225.0000	19	21137.0001	9		
01315.0000	9,11,15	04225.0002	19	21138.0000	11		
01318.0000	9,11	04226.0000	19	21138.0001	11		
01331.0002	23	04226.0002	19	24730.0000	25		
01362.0000	19	04236.1000	15	24783.0000	25		
01375.0000	19	04238.0000	23	24783.0001	25		
01382.0000	9,11	04270.0000	13	25130.0000	9		
01390.0000	5,7,15,25	04272.0002	7	25131.0000	9		
01509.0000	19	04273.1000	7	25131.0001	9		
01511.0000	5,7,19	04274.0010	23	25131.0002	9		
01512.0000	19	04274.0012	23	25131.0003	9		
01637.0000	19	04307.0000	15	25132.0000	5		
01663.0000	5,7	04309.0000	15	25132.0001	5		
01667.0000	19	04776.0000	17	25154.0000	7		
01686.0000	5,7	05212.0000	19	25154.0001	7		
01716.0000	19	05515.0000	15	25155.0000	11		
01854.0000	21	05518.0000	15	25156.0000	11		
01898.0000	21	05545.0000	15	25156.0001	11		
01899.0000	21	05555.0002	15	27689.0000	19		
01901.0000	21	05697.0006	15	27691.0000	19		
01905.0000	19	06202.1000	5	27694.0000	9		
01906.0000	9,11	06203.0000	5	27695.0000	11		
01908.0000	19	06204.0000	5	27701.0000	9		
01925.1000	15	06204.0003	5	27701.0001	9		