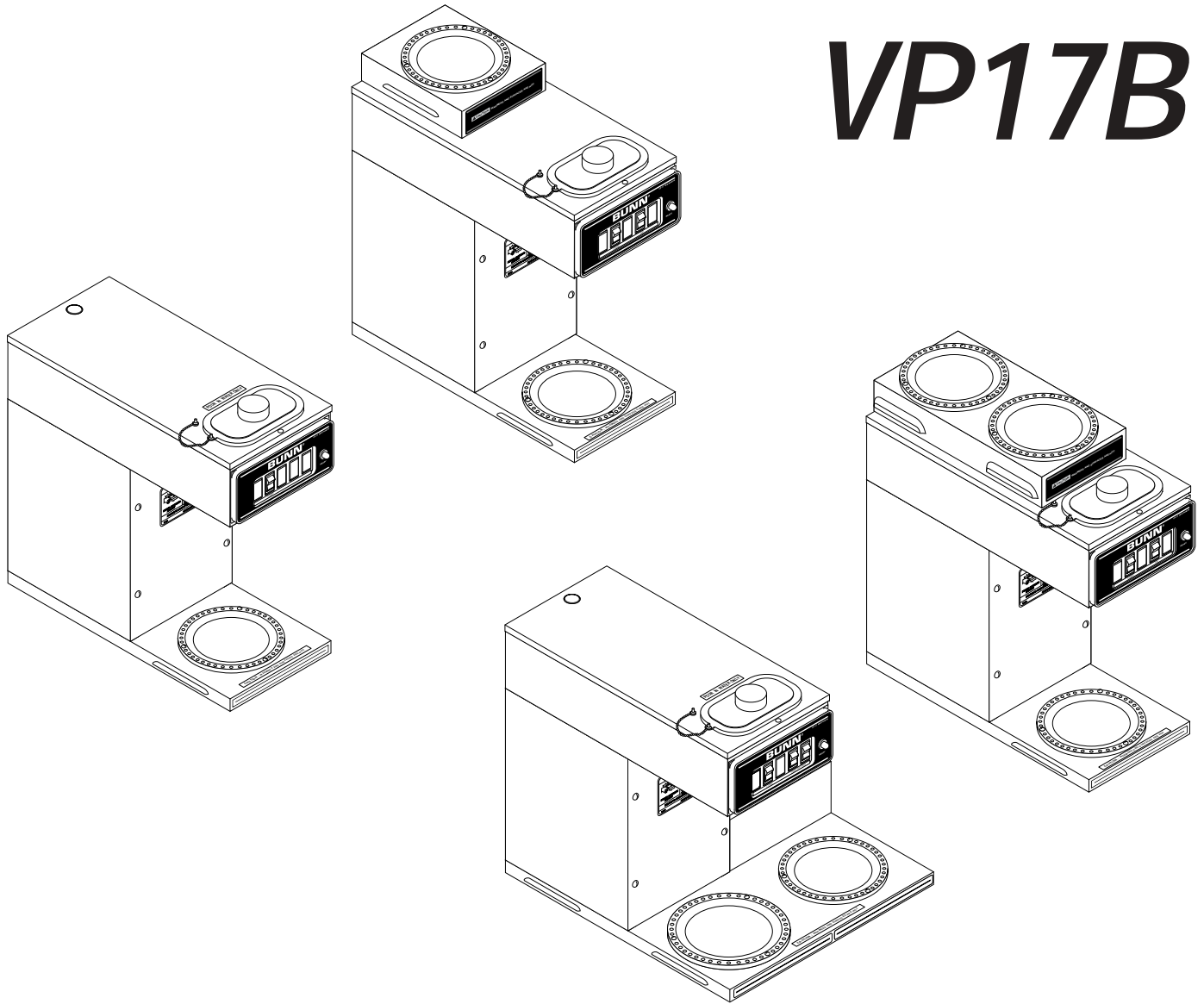


BUNN®

VP17 VP17B



ILLUSTRATED PARTS CATALOG

Designs, materials, weights, specifications, and dimensions for equipment or replacement parts are subject to change without notice.

BUNN-O-MATIC CORPORATION

POST OFFICE BOX 3227

SPRINGFIELD, ILLINOIS 62708-3227

PHONE: (217) 529-6601 FAX: (217) 529-6644

BUNN-O-MATIC COMMERCIAL PRODUCT WARRANTY

Bunn-O-Matic Corp. ("BUNN") warrants equipment manufactured by it as follows:

- 1) All equipment other than as specified below: 2 years parts and 1 year labor.
- 2) Electronic circuit and/or control boards: parts and labor for 3 years.
- 3) Compressors on refrigeration equipment: 5 years parts and 1 year labor.
- 4) Grinding burrs on coffee grinding equipment to grind coffee to meet original factory screen sieve analysis: parts and labor for 3 years or 30,000 pounds of coffee, whichever comes first.

These warranty periods run from the date of installation BUNN warrants that the equipment manufactured by it will be commercially free of defects in material and workmanship existing at the time of manufacture and appearing within the applicable warranty period. This warranty does not apply to any equipment, component or part that was not manufactured by BUNN or that, in BUNN's judgment, has been affected by misuse, neglect, alteration, improper installation or operation, improper maintenance or repair, damage or casualty. This warranty is conditioned on the Buyer 1) giving BUNN prompt notice of any claim to be made under this warranty by telephone at (217) 529-6601 or by writing to Post Office Box 3227, Springfield, Illinois 62708-3227; 2) if requested by BUNN, shipping the defective equipment prepaid to an authorized BUNN service location; and 3) receiving prior authorization from BUNN that the defective equipment is under warranty.

THE FOREGOING WARRANTY IS EXCLUSIVE AND IS IN LIEU OF ANY OTHER WARRANTY, WRITTEN OR ORAL, EXPRESS OR IMPLIED, INCLUDING, BUT NOT LIMITED TO, ANY IMPLIED WARRANTY OF EITHER MERCHANTABILITY OR FITNESS FOR A PARTICULAR PURPOSE. The agents, dealers or employees of BUNN are not authorized to make modifications to this warranty or to make additional warranties that are binding on BUNN. Accordingly, statements by such individuals, whether oral or written, do not constitute warranties and should not be relied upon.

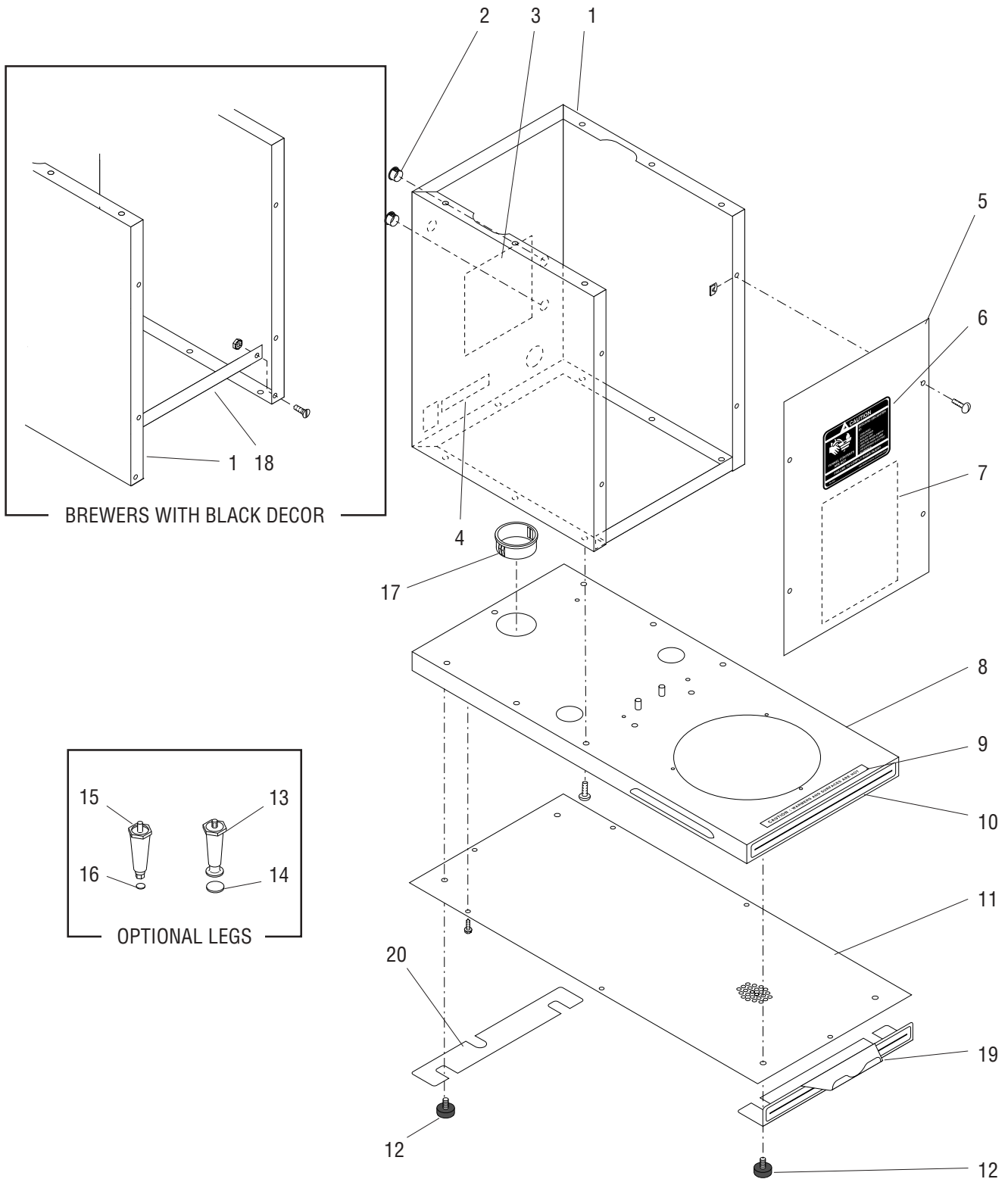
If BUNN determines in its sole discretion that the equipment does not conform to the warranty, BUNN, at its exclusive option while the equipment is under warranty, shall either 1) provide at no charge replacement parts and/or labor (during the applicable parts and labor warranty periods specified above) to repair the defective components, provided that this repair is done by a BUNN Authorized Service Representative; or 2) shall replace the equipment or refund the purchase price for the equipment.

THE BUYER'S REMEDY AGAINST BUNN FOR THE BREACH OF ANY OBLIGATION ARISING OUT OF THE SALE OF THIS EQUIPMENT, WHETHER DERIVED FROM WARRANTY OR OTHERWISE, SHALL BE LIMITED, AT BUNN'S SOLE OPTION AS SPECIFIED HEREIN, TO REPAIR, REPLACEMENT OR REFUND.

In no event shall BUNN be liable for any other damage or loss, including, but not limited to, lost profits, lost sales, loss of use of equipment, claims of Buyer's customers, cost of capital, cost of down time, cost of substitute equipment, facilities or services, or any other special, incidental or consequential damages.

TABLE OF CONTENTS

TITLE	PAGE NO.
Electrical and Operating Controls	14, 16, 18
Fill Basin	10
Funnels, Pitcher and Filter Basket	22
Hood and Top Covers	8
Numerical Index	24
Tank and Components	12
Trunks and Panels	4, 6
Warmer Assemblies	20

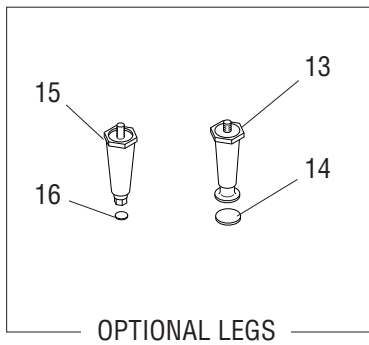
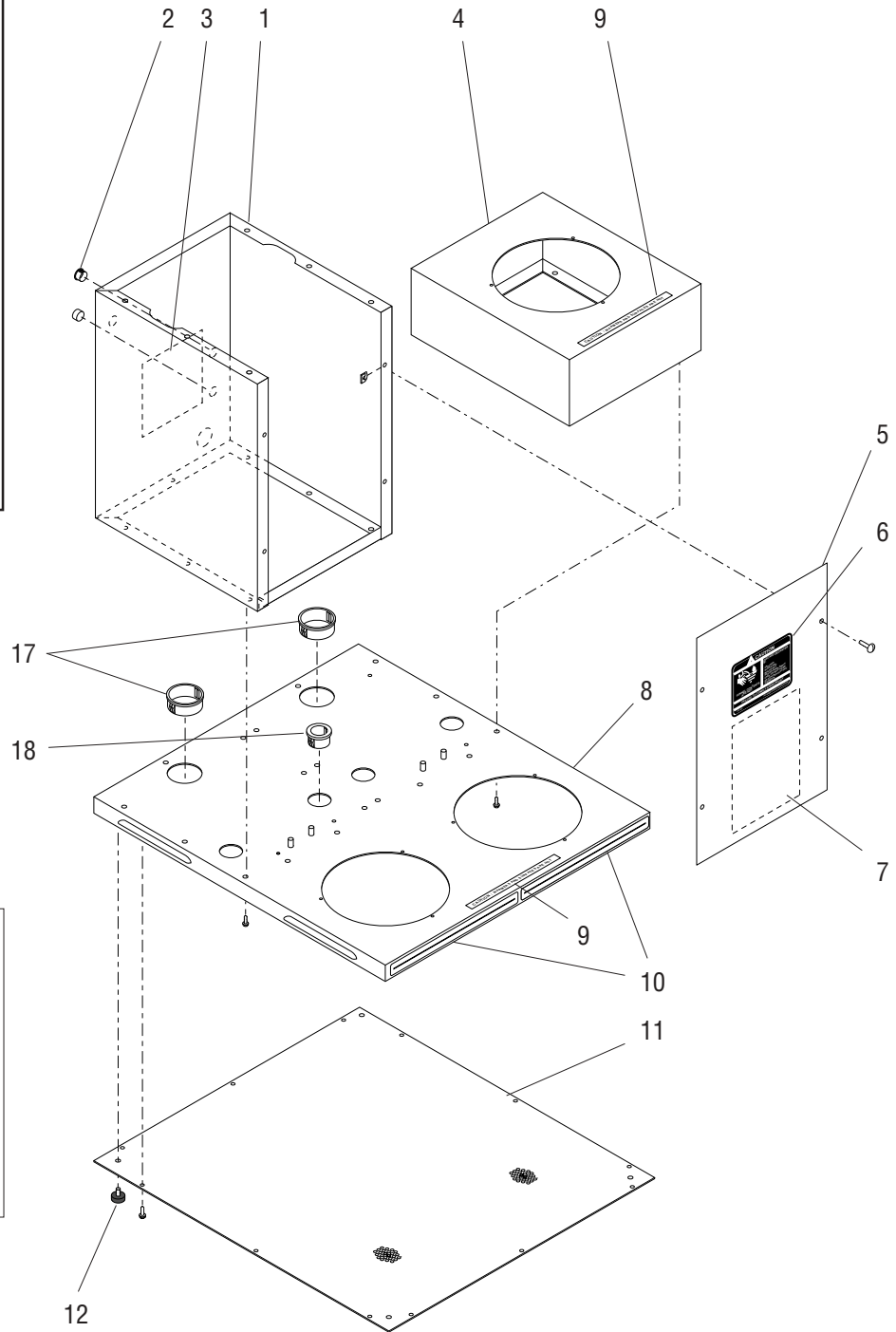
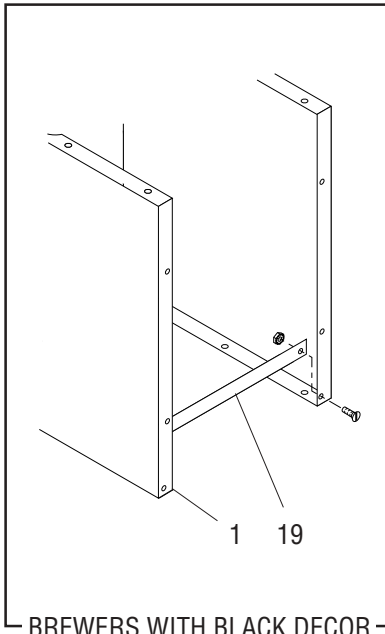


BREWERS WITH BLACK DECOR

OPTIONAL LEGS

TRUNKS AND PANELS - BREWERS W/ONE WARMER BASE & TOP WARMER

ITEM	PART NO.	QTY.	DESCRIPTION	
1	23320.0000	1	Trunk W/Decals BLK Vinyl (Incl. items 2, 3 & 4) (Brewers with Rear Receptacle)	
	23320.1000	1	Trunk W/Decals BLK Painted (Incl. items 2, 3 & 4) (Brewers with Rear Receptacle)	
	23320.0001	1	Trunk W/Decals SST (Includes Items 2, 3 & 4) (Brewers with Rear Receptacle)	
	23320.0010	1	Trunk W/Decals SST (Includes Items 3 & 4) (B Model Brewers only)	
	25352.0000	1	Trunk W/Decals BLK Vinyl (Incl. items 2 & 3) (Brewers W/Out Rear Receptacle)	
	23320.1002	1	Trunk W/Decals BLK Painted (Incl. items 2 & 3) (Brewers W/Out Rear Receptacle)	
	25352.0001	1	Trunk W/Decals SST (Includes items 2 & 3) (Brewers W/Out Rear Receptacle)	
2	00669.0003	3	Plug, Hole - .437" Hole Dia.	
3	00831.0000	1	Decal, Warning-Electrical	
4	02822.0000	1	Decal, Auxiliary Outlet (Not used on Brewers W/Out Rear Receptacle)	
5	25144.0001	1	Panel W/Decals, Trunk - BLK Vinyl (Includes items 6 & 7)	} Brewers with Rear Receptacle
	23319.1002	1	Panel W/Decals, Trunk - BLK Painted (Includes items 6 & 7)	
	25144.0000	1	Panel W/Decals, Trunk - SST (Includes items 6 & 7)	} Brewers W/Out Rear Receptacle
	25144.0012	1	Panel W/Decals, Trunk - BLK Vinyl (Includes items 6 & 7)	
	23319.1005	1	Panel W/Decals, Trunk - BLK Painted (Includes items 6 & 7)	
	25144.0011	1	Panel W/Decals, Trunk - SST (Includes items 6 & 7)	
	25144.0002	1	Panel W/Decals, Trunk - SST (Includes item 6) ("B" Models only)	
	01382.0000	4	Screw, Truss Head - SST #6-32 x .375"	
	01382.0002	4	Screw, Truss Head - BLK #6-32 x .375"	
	00988.0000	4	Fastener, U-Type #6-32	
6	00658.0000	1	Decal, Caution - Decanter/Funnel	
7	10862.0000	1	Schematic, Electrical - 120V (Brewers with Rear Receptacle)	} (Not used on "B" Models)
	10862.0003	1	Schematic, Electrical - 120V (Brewers W/Out Rear Receptacle)	
8	25351.0000	1	Housing W/Decals, Base (Includes items 9 & 10)	
	02308.0000	9	Screw, Pan Head - Serrated #8-32 x .375"	
9	12364.0000	1	Decal, Caution - Warmers And Surfaces Are Hot	
10	22306.0000	1	Decal, Red Decorative Stripe	
11	24805.0000	1	Plate, Base	
	02332.0002	6	Screw, Hex-Crimptite #6 x .375"	
12	25137.0000	4	Foot, Black W/.250"-20 THD	
13	00511.0000	4	Leg, 4" Adjustable Satin Nickel	} Optional Equipment
14	03996.0000	4	Pad, Anti-Skid, Rubber (1.25" Dia)	
15	03359.0001	4	Leg, Adjustable BLK	
16	03993.0000	4	Pad, Anti-Skid, Rubber (.70" Dia)	
17	01593.0000	1	Bushing, Snap 1.5" Dia	
18	13018.0200	1	Angle, Reinforcement	} Early Model Brewers with Black Decor and Screw On Angle
	01345.0000	2	Screw, Flat Head #6-32 x .50"	
	00973.0000	2	Nut, Keps #6-32	
19	27367.0000	1	Bracket W/Decals (Includes item 10)	} Optional. See item 21
20	27368.0000	1	Plate, Spacer	
21	27366.0000	1	Kit, 1 GPR Stabilizer (Includes item 19 & 20)	

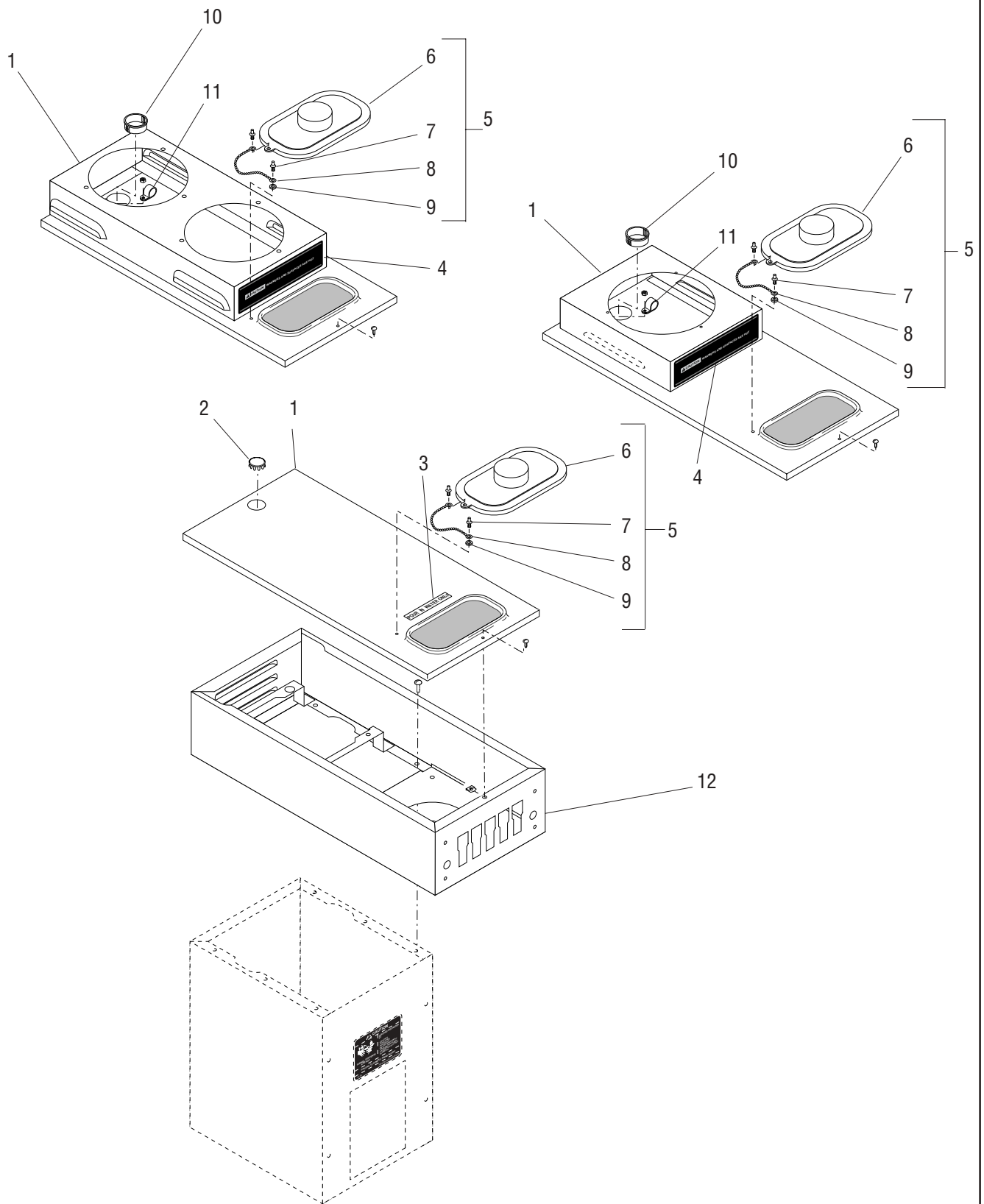


TRUNKS AND PANELS - BREWERS W/ TWO WARMER BASE & SIDE WARMER

ITEM	PART NO.	QTY.	DESCRIPTION
1	25352.0000	1	Trunk W/Decals BLK Vinyl (Includes items 2 & 3)
	23320.1002	1	Trunk W/Decals BLK Painted (Includes items 2 & 3)
	25352.0001	1	Trunk W/Decals SST (Includes items 2 & 3)
2	00669.0003	3	Plug, Hole - .437" Hole Dia.
3	00831.0000	1	Decal, Warning-Electrical
4	25658.0000	1	Housing SST W/Decal, Side Warmer (Includes item 9)
	25658.0002	1	Housing BLK W/Decal, Side Warmer (Includes item 9)
5	25144.0001	1	Panel W/Decals, Trunk - BLK Vinyl (Includes items 6 & 7)
	23319.1002	1	Panel W/Decals, Trunk - BLK Painted (Includes items 6 & 7)
	25144.0000	1	Panel W/Decals, Trunk - SST (Includes items 6 & 7)
	01382.0000	4	Screw, Truss Head - SST #6-32 x .375"
	01382.0002	4	Screw, Truss Head - BLK #6-32 x .375"
	00988.0000	4	Fastener, U-Type #6-32
6	00658.0000	1	Decal, Caution - Decanter/Funnel
7	10862.0000	1	Schematic, Electrical - 120V
8	25657.0000	1	Housing SST W/Decals, Base (Includes items 9 & 10)
	25657.0002	1	Housing BLK W/Decals, Base (Includes items 9 & 10)
	02308.0000	16	Screw, Pan Head - Serrated #8-32 x .375"
9	12364.0000	2	Decal, Caution - Warmers And Surfaces Are Hot
10	22306.0000	2	Decal, Red Decorative Stripe
11	12667.0001	1	Plate, Base
	02332.0002	12	Screw, Hex-Crimptite #6 x .375" (8 less used on late Brewers)
12	25137.0000	4	Foot, Black W/.250"-20 THD
13	00511.0000	4	Leg, 4" Adjustable Satin Nickel
14	03996.0000	4	Pad, Anti-Skid, Rubber (1.25" Dia)
15	03359.0001	4	Leg, Adjustable BLK
16	03993.0000	4	Pad, Anti-Skid, Rubber (.70" Dia)
17	01593.0000	2	Bushing, Snap 1.5" Dia
18	01592.0000	1	Bushing, Snap 1" Dia (One less used on 1 & 2 Warmer Brewers)
19	13018.0200	1	Angle, Reinforcement
	01345.0000	2	Screw, Flat Head #6-32 x .50"
	00973.0000	2	Nut, Keps #6-32

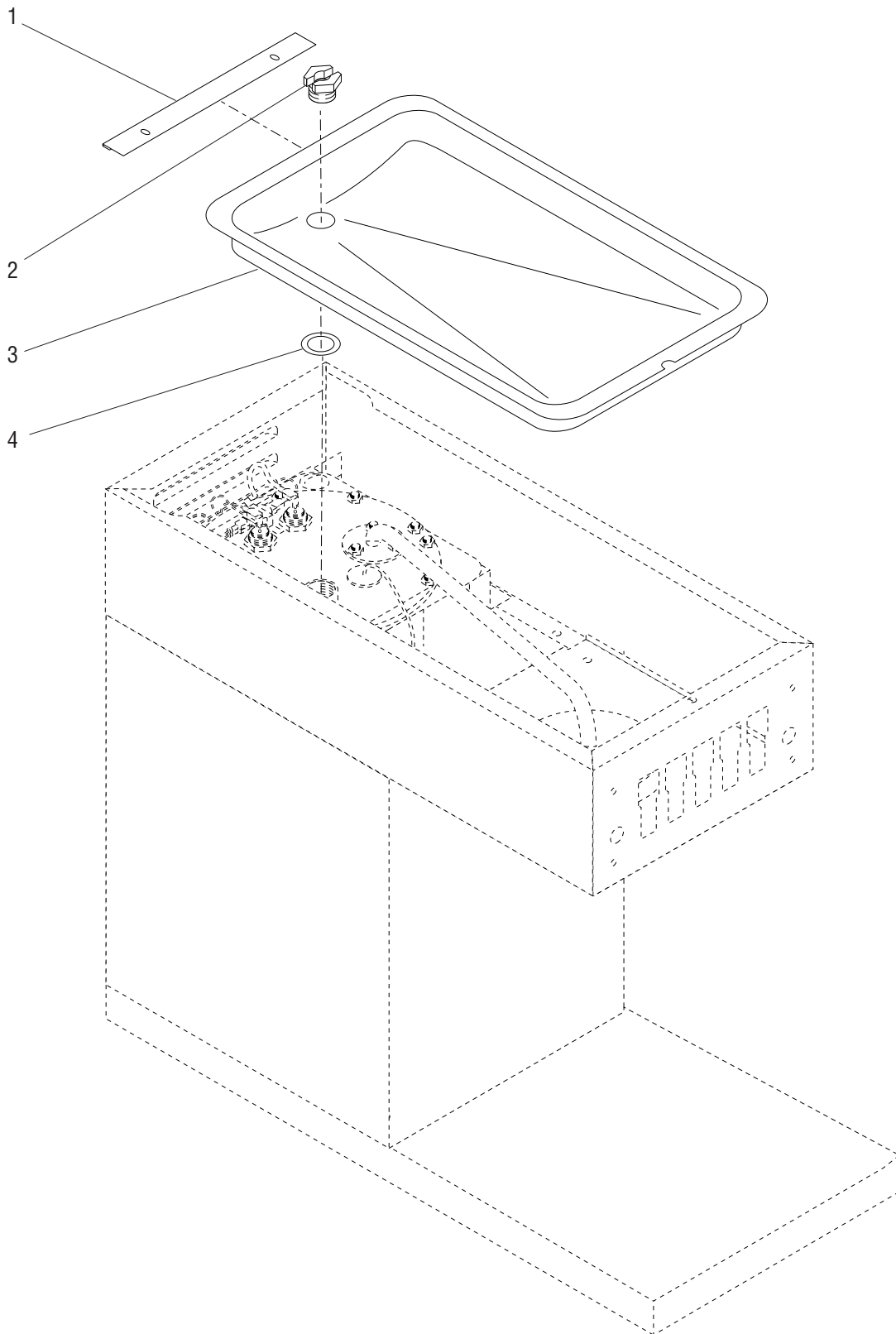
} Optional Equipment

} Early Model Brewers with Black Decor and Screw On Angle



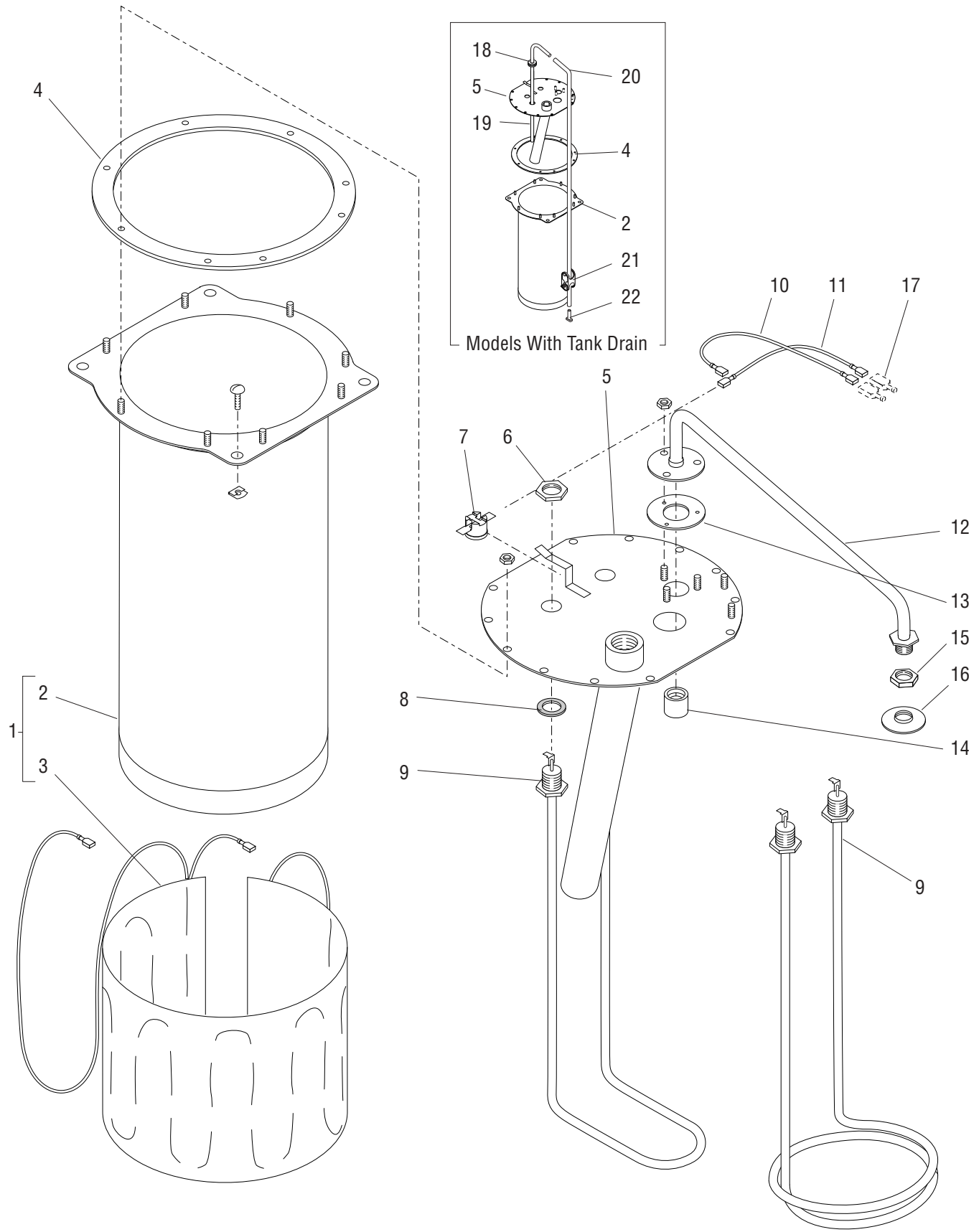
HOOD AND TOP COVERS

ITEM	PART NO.	QTY.	DESCRIPTION
1	25324.1000	1	Cover SST W/Decals, Top (Includes items 2 & 3)(Brewers W/Out Top Warmer)
	25324.1002	1	Cover BLK W/Decals, Top (Includes items 2 & 3)(Brewers W/Out Top Warmer)
	25633.0000	1	Cover W/Decals, Top (Includes items 4 & 10)(Brewers with Top Warmer)
	25353.0000	1	Cover W/Decals, Top (Includes items 4 & 10)(Brewers with Two Top Warmers)
	01303.0000	1	Screw SST, Pan Head #4-40 x .50"
	01303.0002	1	Screw BLK, Pan Head #4-40 x .50"
	00916.0000	1	Fastener, J-Type #4-40
2	02999.0000	1	Plug, Hole 1.19" Dia (Early Models)
3	00833.0000	1	Decal, Pour In Water Only
4	02763.0000	1	Decal, Caution - Warmers And Serfaces Are Hot - Pour In Water Only
5	12981.0001	1	Lid/Chain Kit (Includes Items 6 thru 9)
6	13110.0000	1	Lid, Pour-In
7	20615.0000	2	Rivet, Drive .187" Dia
8	12978.0000	1	Chain Assy., Lid
9	20616.0000	1	Washer, Nylon .194" I.D.
10	01592.0001	1	Bushing, Snap 1.188' Dia
11	28382.0000	1	Clamp, Routing
	00908.0000	1	Nut, Hex #8-32
12	13350.0006	1	Housing SST, Hood
	13350.0016	1	Housing BLK, Hood
	13350.0015	1	Housing, Hood ("B" Models only)
	02308.0000	6	Screw, Pan Head Serrated #8-32 x .375"



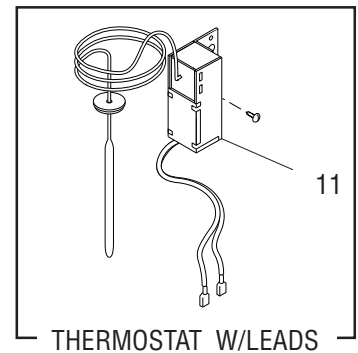
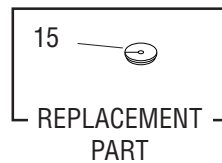
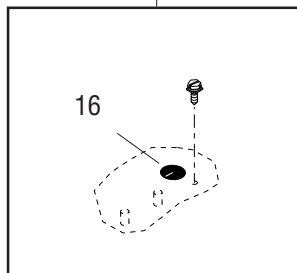
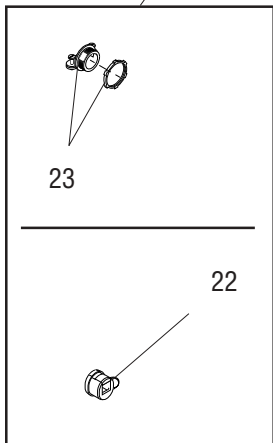
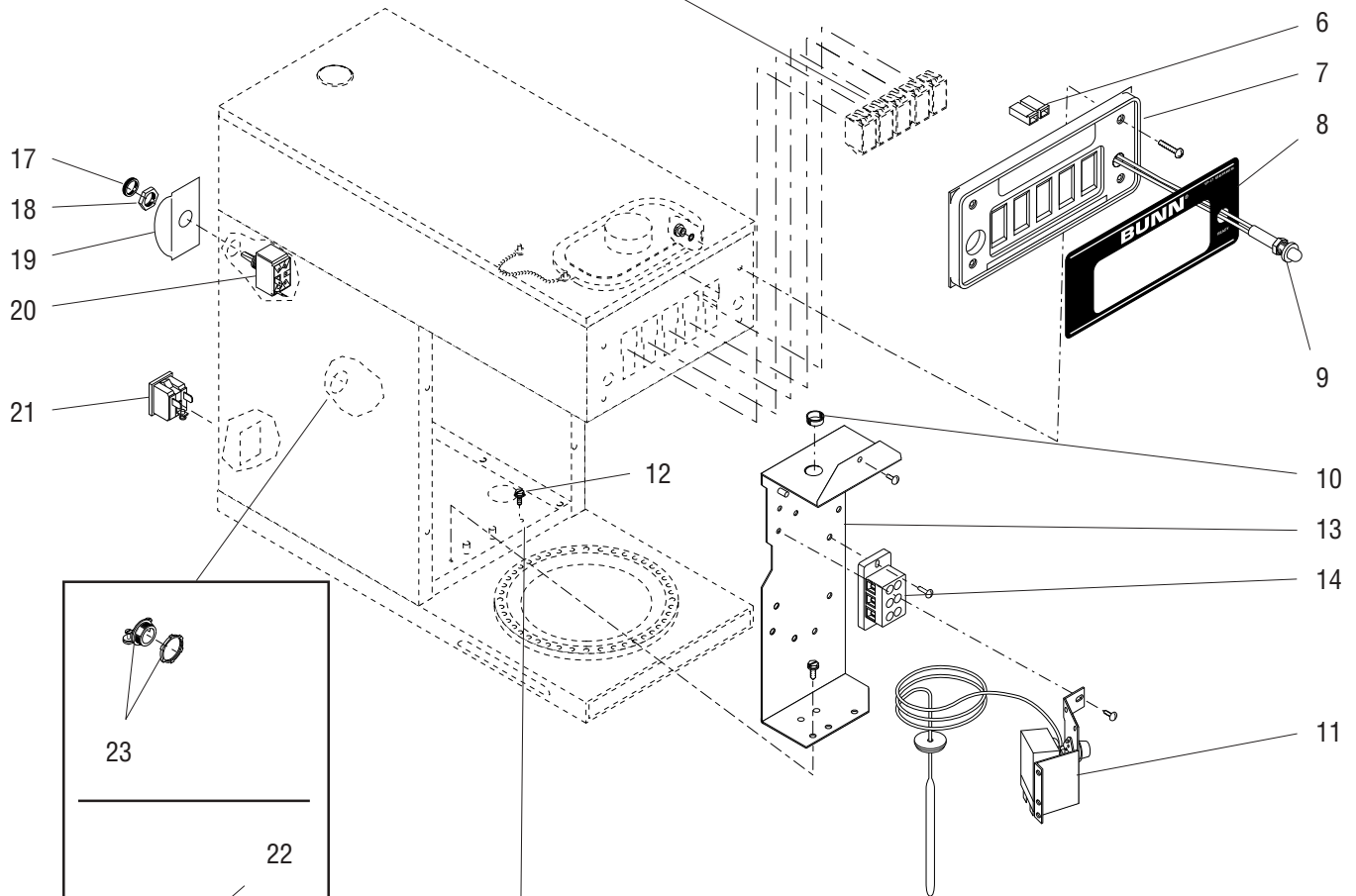
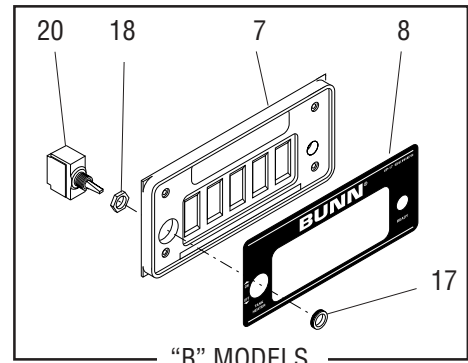
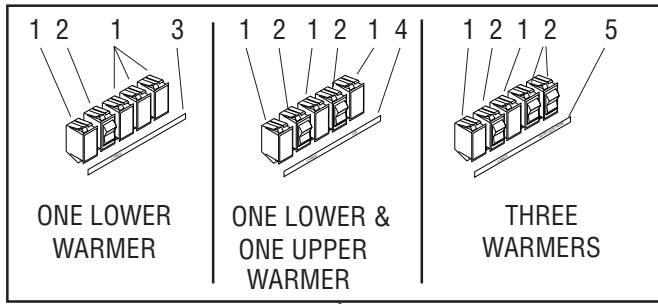
FILL BASIN

ITEM	PART NO.	QTY.	DESCRIPTION
1	11424.0000	1	Plate, Splash Guard
2	01200.0000	1	Fitting, Tank Inlet .562" I.D.
3	04270.0000	1	Fill Basin
4	01201.0000	1	Gasket, Tank Inlet



TANK AND COMPONENTS

ITEM	PART NO.	QTY.	DESCRIPTION	
-	25319.1000	1	Tank Assy, 1320W 120V (Includes items 1 thru 14)	} Not Available. Order Components
	-----	1	Tank Assy, 1600W 100V (Includes items 1 thru 14)	
	-----	1	Tank Assy, 1800W 120V (Includes items 1 thru 14)	
	-----	1	Tank Assy, 1850W 220V (Includes items 1 thru 14)	
	-----	1	Tank Assy, 3500W 240V (Includes items 1 thru 14)	
	01315.0000	2	Screw, Truss Head #8-32 x .3/8"	
	00912.0000	2	Fastener, J-Type #8-32	
1	04119.0000	1	Tank W/Blanket Warmer, 120V	} Includes items 2 & 3
	04133.0000	1	Tank W/Blanket Warmer, 220V	
2	04118.0000	1	Tank	
3	04260.0000	1	Blanket Warmer, 50W 120V	
	01927.0000	1	Blanket Warmer, 50W 220V	
4	04221.0000	1	Gasket, Tank Lid	
5	25158.0002	1	Tank Lid	
	25158.0005	1	Tank Lid (Models with Tank Drain)	
	00908.0000	8	Nut, Hex #8-32	
6	00942.0000	2	Nut, Hex .50"-20	
7	29329.1000	1	Thermostat, Limit (230F 17 AMP)	
8	00943.0000	2	Gasket, Tank Heater	
9	04236.1000	1	Tank Heater, 1320W 120V	} Includes item 8
	20939.1000	1	Tank Heater, 1600W 100V	
	01925.1000	1	Tank Heater, 1850W 220V	
	04637.1000	1	Tank Heater, 3500W 240V	
	04636.1000	1	Tank Heater, 1800W 120V	
10	23769.0000	1	Lead, Electrical BLK (Thermostat to Heater)	
11	23768.0000	1	Lead, Electrical BLU (Thermostat to Limit)	
12	11431.0002	1	Sprayhead Tube Kit (Includes 3 mounting nuts below & items 13 & 14)	
	00908.0000	3	Nut, Hex #8-32	
13	05515.0000	1	Gasket, Sprayhead Tube	
14	05518.0000	1	Hub, Syphon	
15	01075.0000	1	Nut, Hex .438" - 20	
16	01082.0000	1	Sprayhead, 6-Hole	
	01082.0007	1	Sprayhead, 1-Hole (Brewers with Pouch-Pack Funnel)	
17	-----	-	Thermostat Leads (See Electrical and Operating Controls)	
18	02536.0000	1	Grommet	
19	28298.0001	1	Tube, Drain	
20	28526.1001	1	Tube, Silicone .313" x .562" x 36.0"	
21	11630.0001	1	Clamp, Shut Off	
22	32098.0000	1	Plug	

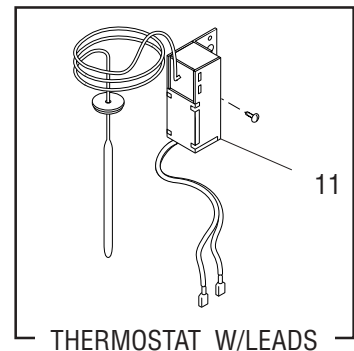
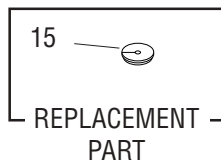
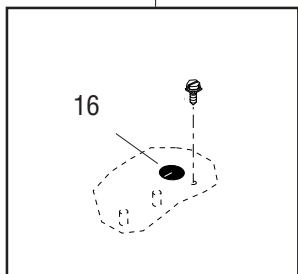
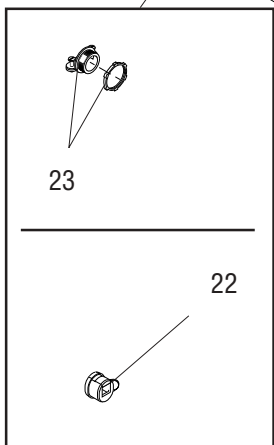
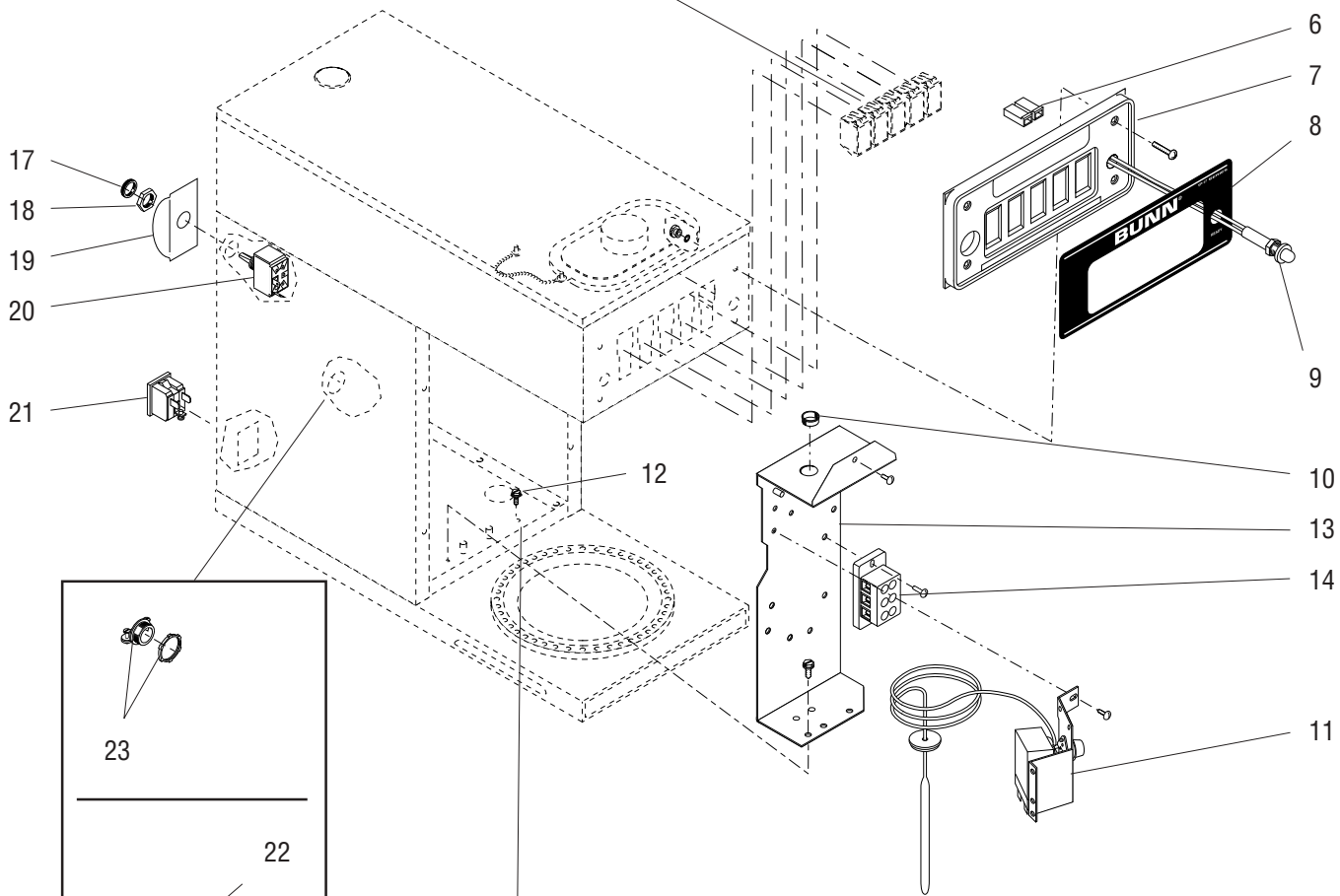
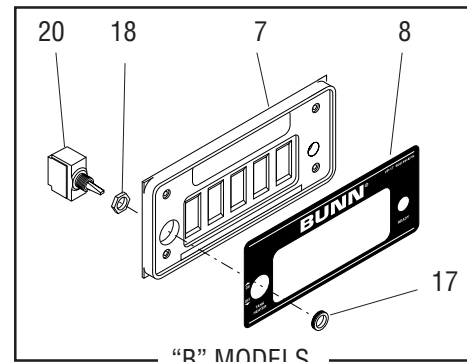
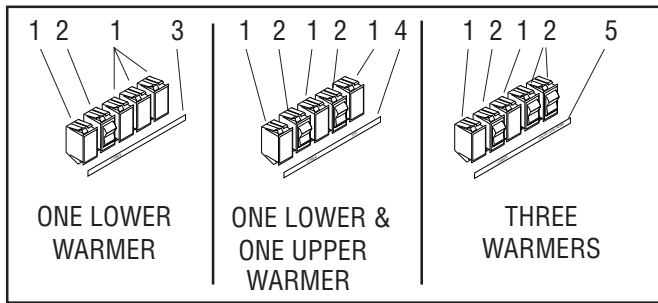


ELECTRICAL AND OPERATING CONTROLS
(VP17B - EARLY VP17 MODELS)

ITEM	PART NO.	QTY.	DESCRIPTION
1	12921.0000	4	Switch Blank, BLK (One less used on two warmer brewers, two less used on three warmer brewers)
2	12920.0000	3	Switch ON/OFF 120V (Two less used on one warmer brewers, one less used on two warmer brewers)
	12920.0002	3	Switch ON/OFF 240V (Two less used on one warmer brewers, one less used on two warmer brewers)
3	22295.0000	1	Label, Switch ON/OFF (One warmer brewer)
4	22295.0001	1	Label, Switch ON/OFF (Two warmer brewer)
5	22295.0002	1	Label, Switch ON/OFF (Three lower warmer brewer left or right)
	22295.0012	1	Label, Switch ON/OFF (One Lower Warmer & Two Upper Warmers)
6	04243.0000	2	Terminal Housing, Receptacle
7	13352.0008	1	Control Panel
	02301.0000	4	Screw, Phillip Pan Head #6-32 x .625"
	00973.0000	4	Nut , Keps #6-32
8	25105.0000	1	Decal, Control Panel (W/Ready Light)
	25105.0003	1	Decal, Control Panel (W/Ready Light) ("B" Models only)
9	12984.0002	1	Light Assembly, 120V
	12984.0004	1	Light Assembly, 240V
			} Includes item 6
10	00606.0000	1	Bushing, Snap .875" Dia
11	04314.0001	1	Thermostat Kit (Replaces Thermostats with Terminals)
	28319.0000	1	Thermostat Kit (Replaces Thermostats with Electrical Leads)
	02308.0000	1	Screw, Pan Head #8-32 x .375"
	20762.0000	2	Screw, Binding Head #8-32 x .25" (Thermostats with Terminals)
12	02337.0001	1	Screw, Hex Head #10 x .375" (Cord Ground)
13	12698.0000	1	Bracket Assembly, Component Mounting
	01347.0000	1	Screw, Truss Head #6-32 x .375" (Early models)
	02308.0000	1	Screw, Pan Head #8-32 x .375" (Late models)
	02332.0001	1	Screw, Hex-Crimptite #6 x .250"
14	01106.0000	1	Terminal Block, 2 Pole-White/Black ("B" Models only)
	01317.0000	2	Screw, Truss Head #8-32 x .50"
15	07073.0000	1	Grommet, Thermostat
16	00824.0000	1	Decal, Ground ("B" Models only)
17	23697.0000	1	Facenut, Plastic
18	23696.0000	1	Nut, Hex
19	25102.0000	1	Bracket, Switch Indicator/Guard
20	23522.0000	1	Switch, ON/OFF Toggle (Includes item 18)
21	03628.0000	1	Receptacle, Grounded (Not Used on Brewers with Three Warmers)
22	01686.0000	1	Bushing, Strain Relief

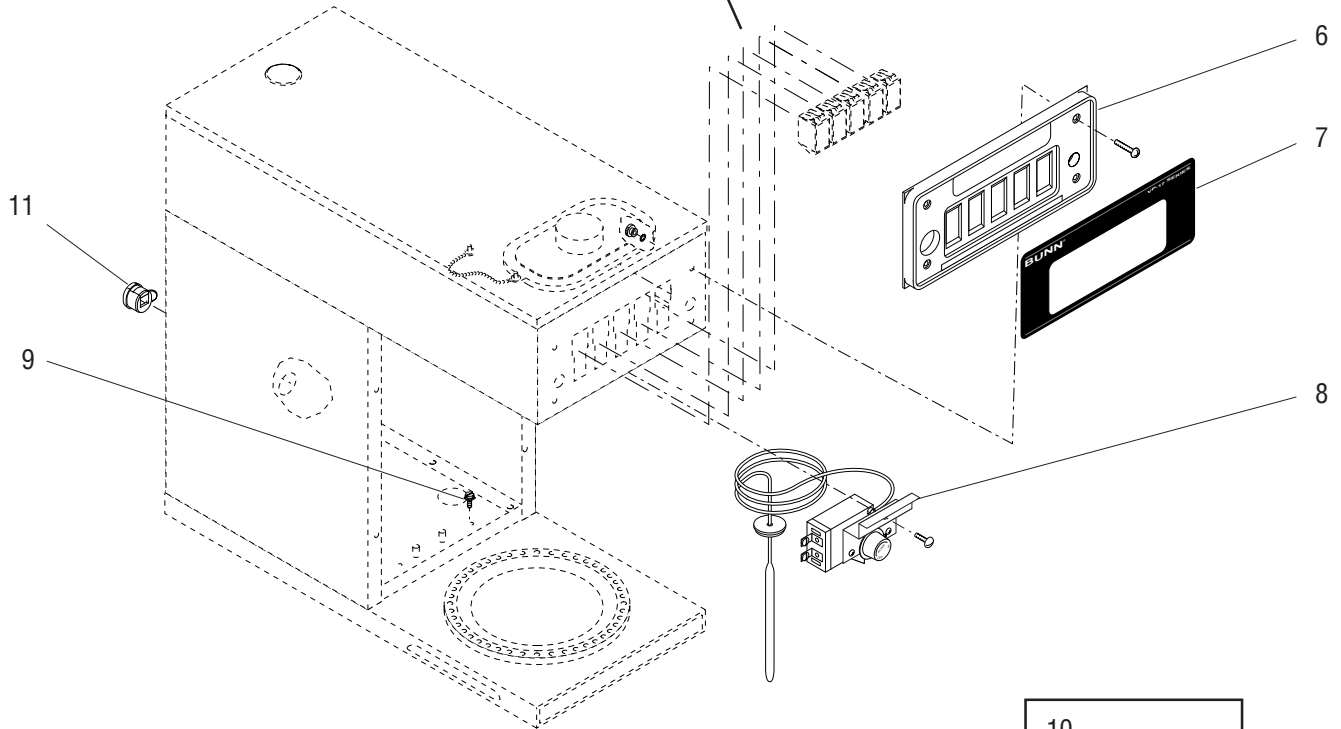
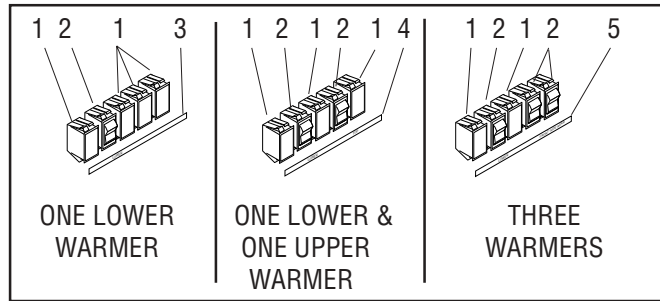
(Continued)

(Continued)



ELECTRICAL AND OPERATING CONTROLS
(VP17B - EARLY VP17 MODELS)

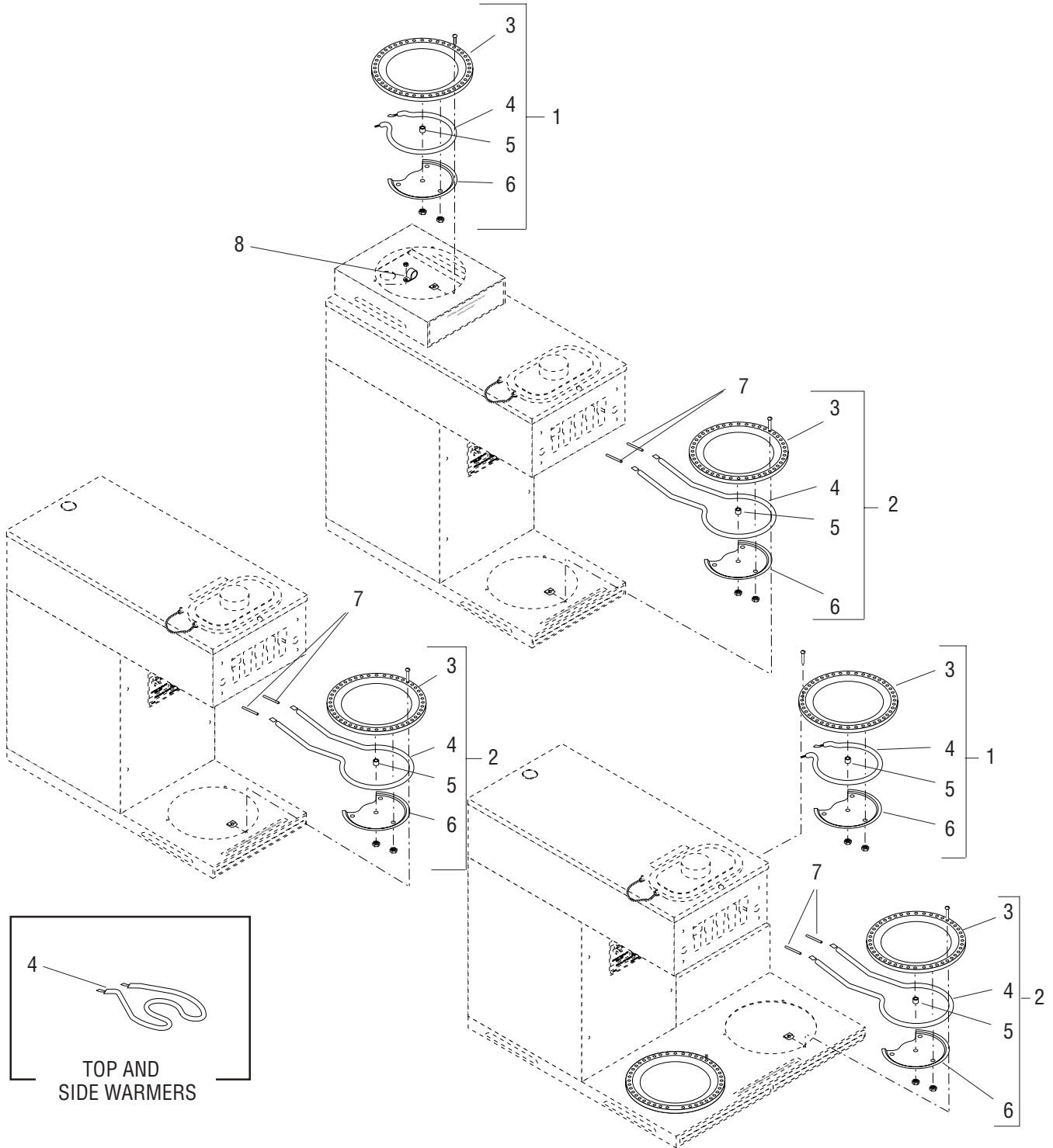
ITEM	PART NO.	QTY.	DESCRIPTION	
23	01685.0000	1	Connector, Cord .50" MPT ("B" Models)	
24	01637.0000	1	Power Cord] Not Illustrated
	01638.0000	1	Power Cord ("B" Models)	
25	12985.0000	1	Wiring Harness, Ready Light	
26	25769.0000	1	Wiring Harness, Main 120V	
	25769.0001	1	Wiring Harness, Main 100V ("B" Models)	
27	25347.0000	1	Wiring Harness, Thermostat (Thermostats With Terminals only)	
28	13307.1001	1	Wiring Harness, Rear Receptacle (Brewers with Rear Receptacle only)	
29	12919.0000	-	Cap, Terminal Cover - BLK (Use as required)	



ELECTRICAL AND OPERATING CONTROLS
(LATE VP17 MODELS)

ITEM	PART NO.	QTY.	DESCRIPTION
1	12921.0000	4	Switch Blank, BLK (One less used on two warmer brewers, two less used on three warmer brewers)
2	12920.0000	3	Switch ON/OFF 120V (Two less used on one warmer brewers, one less used on two warmer brewers)
	12920.0002	3	Switch ON/OFF 240V (Two less used on one warmer brewers, one less used on two warmer brewers)
3	22295.0000	1	Label, Switch ON/OFF (One warmer brewer)
4	22295.0001	1	Label, Switch ON/OFF (Two warmer brewer)
5	22295.0002	1	Label, Switch ON/OFF (Three lower warmer brewer left or right)
	22295.0012	1	Label, Switch ON/OFF (One Lower Warmer & Two Upper Warmers)
6	13352.0008	1	Control Panel
	02301.0000	4	Screw, Phillip Pan Head #6-32 x .625"
	00973.0000	4	Nut , Keps #6-32
7	25105.0004	1	Decal, Control Panel
8	04314.0001	1	Thermostat Kit
	02308.0000	1	Screw, Pan Head #8-32 x .375"
	20762.0000	2	Screw, Binding Head #8-32 x .25" (Thermostats with Terminals)
9	02337.0001	1	Screw, Hex Head #10 x .375" (Cord Ground
10	07073.0000	1	Grommet, Thermostat
11	01686.0000	1	Bushing, Strain Relief
12	01637.0000	1	Power Cord Assembly
13	25769.0002	1	Wiring Harness, Main 120V (VP17-1)
	25769.0003	1	Wiring Harness, Main 120V (VP17-2)
	25769.0000	1	Wiring Harness, Main 120V (VP17-3)

} Not illustrated

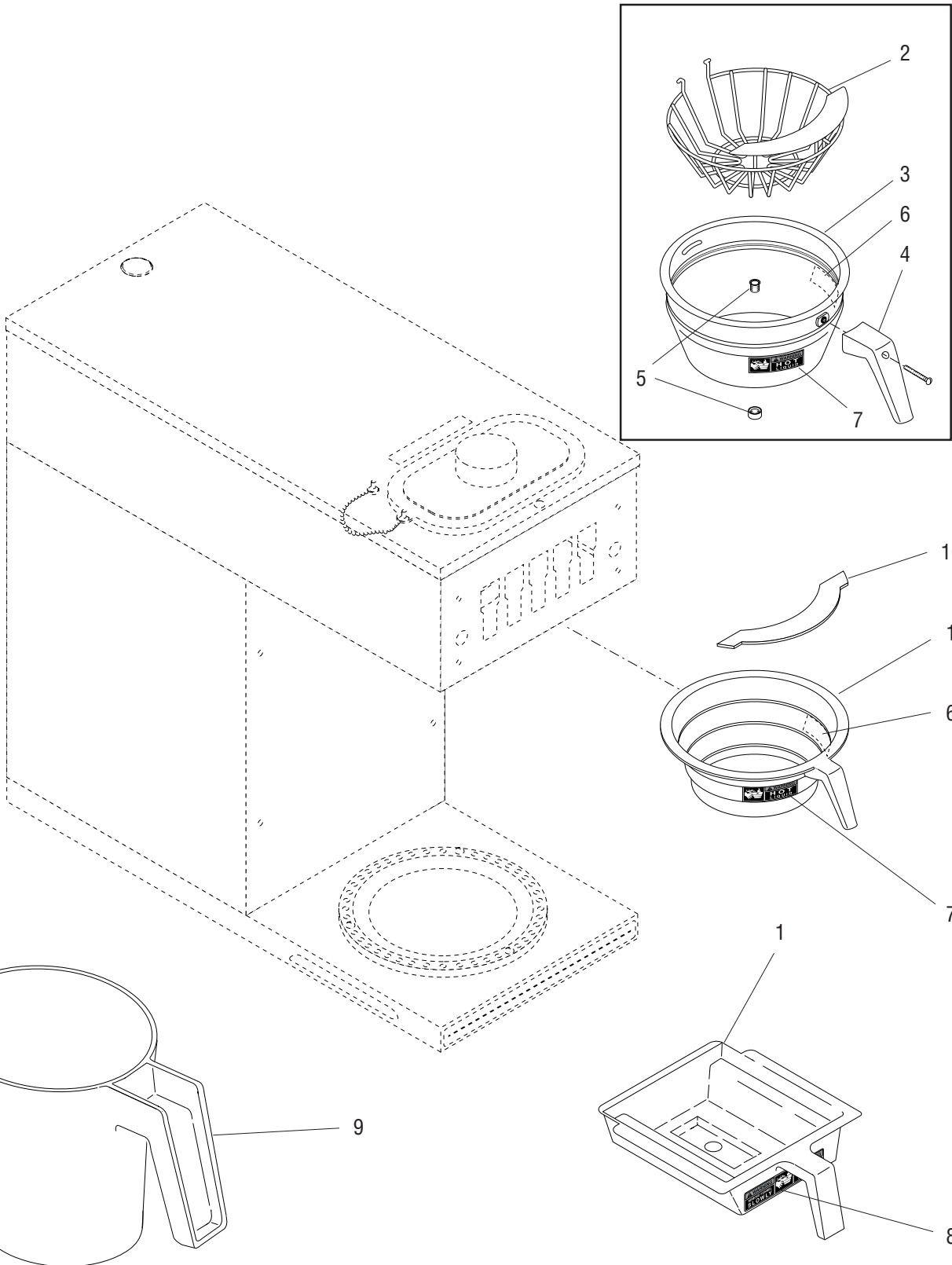


4
TOP AND
SIDE WARMERS

WARMER ASSEMBLIES

ITEM	PART NO.	QTY.	DESCRIPTION
1	03652.0000	1	Warmer Assembly 100W 120V, Top and Side Warmers (Includes items 3 thru 6)
	11440.0009	1	Warmer Assembly 100W 220V, Top and Side Warmers (Includes items 3, 4 & 6)
	01303.0000	3	Screw, Pan Head #4-40 x .50"
	00916.0000	3	Fastener, J-Type #4-40
2	11440.0005	1	Warmer Assembly 100W 120V, Base Warmers (Includes items 3 thru 6)
	11440.0008	1	Warmer Assembly 100W 220V, Base Warmers (Includes items 3, 4 & 6)
	01303.0000	3	Screw, Pan Head #4-40 x .50"
	00916.0000	3	Fastener, J-Type #4-40
3	03656.0000	1	Warmer Dish, Blk 45 Hole
4	01227.0000	1	Warmer Element 100W 120V Top and Side Warmers
	11442.0000	1	Warmer Element 100W 120V Base Warmers
5	13042.0001	1	Spacer, .174" I.D. x .188
6	05212.0000	1	Plate, Element Retaining
	00970.0000	2	Nut, Keps #8-32
7	-----	2	Tube, Silicone .250" Dia x 1.88" LG. (Order Item 10)
8	28382.0000	1	Clamp, Routing
9	25348.0000	1	Wiring Harness, Top Warmer 120V
	25348.0001	1	Wiring Harness, Top Warmer 240V
	24204.0001	1	Wiring Harness, Three Warmer Brewers 120V
	12922.0002	1	Wiring Harness, Three Warmer Brewers 240V
10	04828.1001	-	Tube, Silicone .250" Dia. x 24" LG (Use as required)

] Not
Illustrated



FUNNELS, PITCHER AND FILTER BASKET

ITEM	PART NO.	QTY.	DESCRIPTION
1	20583.0003	1	Funnel W/Decals, Plastic (Black 7.125' Dia) (Includes items 6, 7 & 10)
	20583.0006	1	Funnel W/Decals, Plastic (Orange 7.125" Dia) (Includes items 6, 7 & 10)
	20216.0000	1	Funnel, SST W/Black Handle (7.125" Dia)(Includes items 2 thru 5)
	20216.0001	1	Funnel, SST W/Orange Handle (7.125" Dia)(Includes items 2 thru 5)
	04274.0012	1	Funnel W/Decal, Pouch-Pack Black (Large)(7.125") (Includes item 8)
2	33088.0000	1	Filter Basket (7.125" Dia)
3	28553.0000	1	Funnel W/Decals, SST (7.125" Dia) (Includes items 6 & 7)
4	20244.1000	1	Handle Kit, Black (Includes Screw)
	20244.1001	1	Handle Kit, Orange (Includes Screw)
	01331.0002	1	Screw, Round Head #10-32 x 1.50"
5	01031.0000	1	Funnel Tip Kit
6	03408.0002	1	Decal, Warning-Remove Funnel
7	03409.0002	1	Decal, Warning-Hot Liquid
8	28694.0000	1	Decal, Warning-Hot Liquid/Remove Funnel
9	04238.0000	1	Pitcher, Water - 64 OZ
10	32964.0000	1	Splash Guard

NUMERICAL INDEX

PART NO.	PAGE NO.	PART NO.	PAGE NO.	PART NO.	PAGE NO.	PART NO.	PAGE NO.
00511.0000	5,7	03656.0000	21	20583.0003	23	25769.0003	19
00606.0000	15	03993.0000	5,7	20583.0006	23	27366.0000	5
00658.0000	5,7	03996.0000	5,7	20615.0000	9	27367.0000	5
00669.0003	5,7	04118.0000	13	20616.0000	9	27368.0000	5
00824.0000	15	04119.0000	13	20762.0000	15,19	28298.0001	13
00831.0000	5,7	04133.0000	13	20939.1000	13	28319.0000	15
00833.0000	9	04221.0000	13	22295.0000	15,19	28382.0000	9,21
00908.0000	9,13	04236.1000	13	22295.0001	15,19	28526.1001	13
00912.0000	13	04238.0000	23	22295.0002	15,19	28553.0000	23
00916.0000	9,21	04243.0000	15	22295.0012	15,19	28694.0000	23
00942.0000	13	04260.0000	13	22306.0000	5,7	29329.1000	13
00943.0000	13	04270.0000	11	23319.1002	5,7	32098.0000	13
00970.0000	21	04274.0012	23	23319.1005	5	32964.0000	23
00973.0000	5,7,15,19	04314.0001	15,19	23320.0000	5	33088.0000	23
00988.0000	5,7	04636.1000	13	23320.0001	5		
01031.0000	23	04637.1000	13	23320.0010	5		
01075.0000	13	04828.1001	21	23320.1000	5		
01082.0000	13	05212.0000	21	23320.1002	5,7		
01082.0007	13	05515.0000	13	23522.0000	15		
01106.0000	15	05518.0000	13	23696.0000	15		
01200.0000	11	07073.0000	15,19	23697.0000	15		
01201.0000	11	10862.0000	5,7	23768.0000	13		
01227.0000	21	10862.0003	5	23769.0000	13		
01303.0000	9,21	11424.0000	11	24204.0001	21		
01303.0002	9	11431.0002	13	24805.0000	5		
01315.0000	13	11440.0005	21	25102.0000	15		
01317.0000	15	11440.0008	21	25105.0000	15		
01331.0002	23	11440.0009	21	25105.0003	15		
01345.0000	5,7	11442.0000	21	25105.0004	19		
01347.0000	15	11630.0001	13	25137.0000	5,7		
01382.0000	5,7	12364.0000	5,7	25144.0000	5,7		
01382.0002	5,7	12667.0001	7	25144.0001	5,7		
01592.0000	7	12698.0000	15	25144.0002	5		
01592.0001	9	12919.0000	17	25144.0011	5		
01593.0000	5,7	12920.0000	15,19	25144.0012	5		
01637.0000	17,19	12920.0002	15,19	25158.0002	13		
01638.0000	17	12921.0000	15,19	25158.0005	13		
01685.0000	17	12922.0002	21	25319.1000	13		
01686.0000	15,19	12978.0000	9	25324.1000	9		
01927.0000	13	12981.0001	9	25324.1002	9		
02301.0000	15,19	12984.0002	15	25347.0000	17		
02308.0000	5,7,9,15,19	12984.0004	15	25348.0000	21		
02332.0001	15	12985.0000	17	25348.0001	21		
02332.0002	5	13018.0200	5,7	25351.0000	5		
02332.0002	7	13042.0001	21	25352.0000	5,7		
02337.0001	15,19	13110.0000	9	25352.0001	5,7		
02536.0000	13	13307.1001	17	25353.0000	9		
02763.0000	9	13350.0006	9	25633.0000	9		
02822.0000	5	13350.0015	9	25657.0000	7		
02999.0000	9	13350.0016	9	25657.0002	7		
03359.0001	5,7	13352.0008	15,19	25658.0000	7		
03408.0002	23	20216.0000	23	25658.0002	7		
03409.0002	23	20216.0001	23	25769.0000	17,19		
03628.0000	15	20244.1000	23	25769.0001	17		
03652.0000	21	20244.1001	23	25769.0002	19		