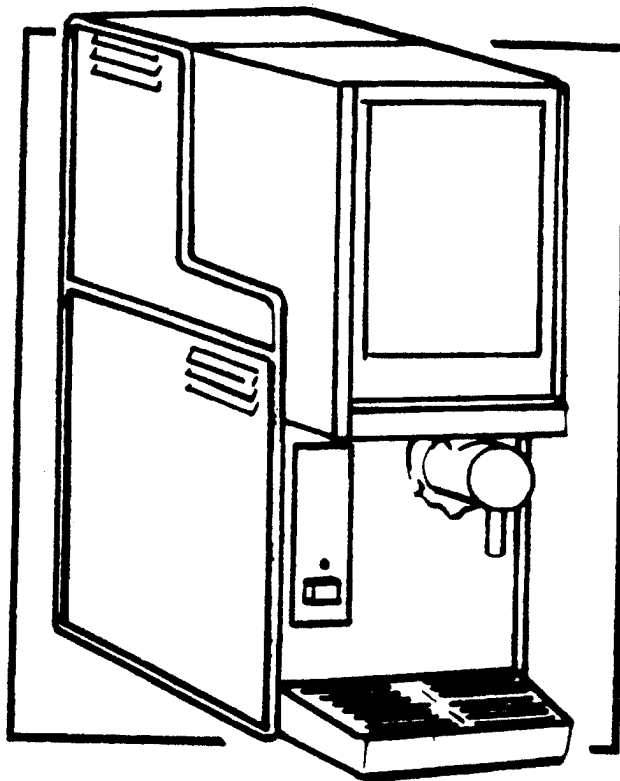


JETSPRAY

PARTS LIST

LIQUID HOT CHOCOLATE DISPENSER



Distributed By:

Commercial Refrigeration Service, Inc.

WWW.JetsprayParts.COM

(866) 423-6253

(623) 869-8881

MODEL

SERIAL NO.

HCL30

6100

HCL30-CAN

3500

HCL30-W25

2000

HCL30-W26

Manufactured by IMI Cornelius/JetSpray

2401 N. Palmer Drive, Schaumburg, IL 60196

US & Canada ph: 1-888-248-5568 Outside the US ph: 1-630-539-5050

US & Canada Fax: 1-800-344-3801 Outside the US Fax: 1-630-539-6960

April 1999
Printed in U.S.A.

Document No. 16591
Revision No. 04

REPLACEMENT PARTS LIST

BE SURE TO GIVE DISPENSER SERIAL AND MODEL NUMBER
WHEN YOU ORDER REPLACEMENT PARTS

CHASSIS COMPONENTS

ITEM #	PART #	DESCRIPTION
1.....	S4618.....	WHIPPER CHAMBER w/DECAL
2.....	A4750.....	FUNNEL w/SPOILER
3.....	S3715.....	FUNNEL COVER
4.....	S4357.....	WHIPPER BASE SCREW (PKG OF 6)
5.....	S3759.....	IMPELLER
6.....	A6158.....	WHIPPER BASE ASSEMBLY
7.....	A6151.....	WHIPPER SHAFT SEAL (2 USED)
8.....	A6610.....	SEAL RETAINER
9.....	S3837.....	SWITCH PLATE
10.....	S1675.....	RING NUT
11.....	S7263.....	PUSH BUTTON SWITCH (2 USED)
11A xxxx	A4806.....	HOT WATER SWITCH - EARILIER UNITS - See page 2 for serial number break
11B xx	S5151.....	HOT WATER SWITCH - EARILIER UNITS - See page 2 for serial number break
12.....	S7698.....	HOT WATER BUTTON ONLY w/DECAL
*13.....	S7656.....	SYRUP PUMP ASSEMBLY
*14.....	S7304.....	INDICATOR LIGHT/LENS
15.....	S7696.....	LENS ONLY (INDICATOR LIGHT)
16.....	S7697.....	'CUP' PUSH BUTTON ONLY w/DECAL
17.....	S7277.....	OUTLET TUBE (RUBBER)
18.....	S4463.....	HEX CAP NUT (PKG OF 6)
19.....	S5085.....	INLET FITTING
20.....	S5232.....	GASKET
*21.....	S4495.....	WHIPPER MOTOR w/SLINGER WASHER
22.....	S5607.....	OUTLET CHECK VALVE
*23.....	S3004.....	SWITCH ON-OFF w/NUT
23..xxxx.	S5152.....	ON/OFF Switch w/Light (115V/60Hz) See page 2 for serial number break
26.....	A3752.....	THUMB SCREW FOR HOOD CATCH
27.....	A3756.....	HOOD CATCH/THUMB SCREW ASSEMBLY
28.....	S5172.....	HOOD CATCH
29.....	A6809.....	MOTOR MOUNT ASSEMBLY
30.....	S3274.....	HOSE CLAMP (2 USED)
31.....	S3721.....	TEFLON SLINGER WASHER
	A5130.....	POWER CORD (NOT SHOWN)
	A4366.....	POWER CORD - CANADA (NOT SHOWN)
32.....	S7632.....	RUBBER FITTING (2 USED)
33.....	S7739.....	HOSE CLAMP (2 USED)

REPLACEMENT PARTS LIST

BE SURE TO GIVE DISPENSER SERIAL AND MODEL NUMBER
WHEN YOU ORDER REPLACEMENT PARTS

CHASSIS COMPONENTS (CONT ' D)

ITEM #	PART #	DESCRIPTION
34.....	S5648.....	CHECK BALL (2 USED)
35.....	S7859.....	INLET CHECK BALL RETAINER
36.....	S5423.....	SCREWS & NUTS (PKG OF 8)
37.....	S7517.....	PUMP TOP
38.....	S8006.....	BALL RETAINER (PKG OF 6)
39.....	S5787.....	PUMP DIAPHRAGM
40.....	S5112.....	SWITCH - CAM (2 USED)
41.....	A5810.....	ROCKER SWITCH
41A xxx	A4676.....	Earlier units - See page 2 for serial number break
42.....	18059.....	GROMMET
43.....	S3734.....	BULK HEAD FITTING

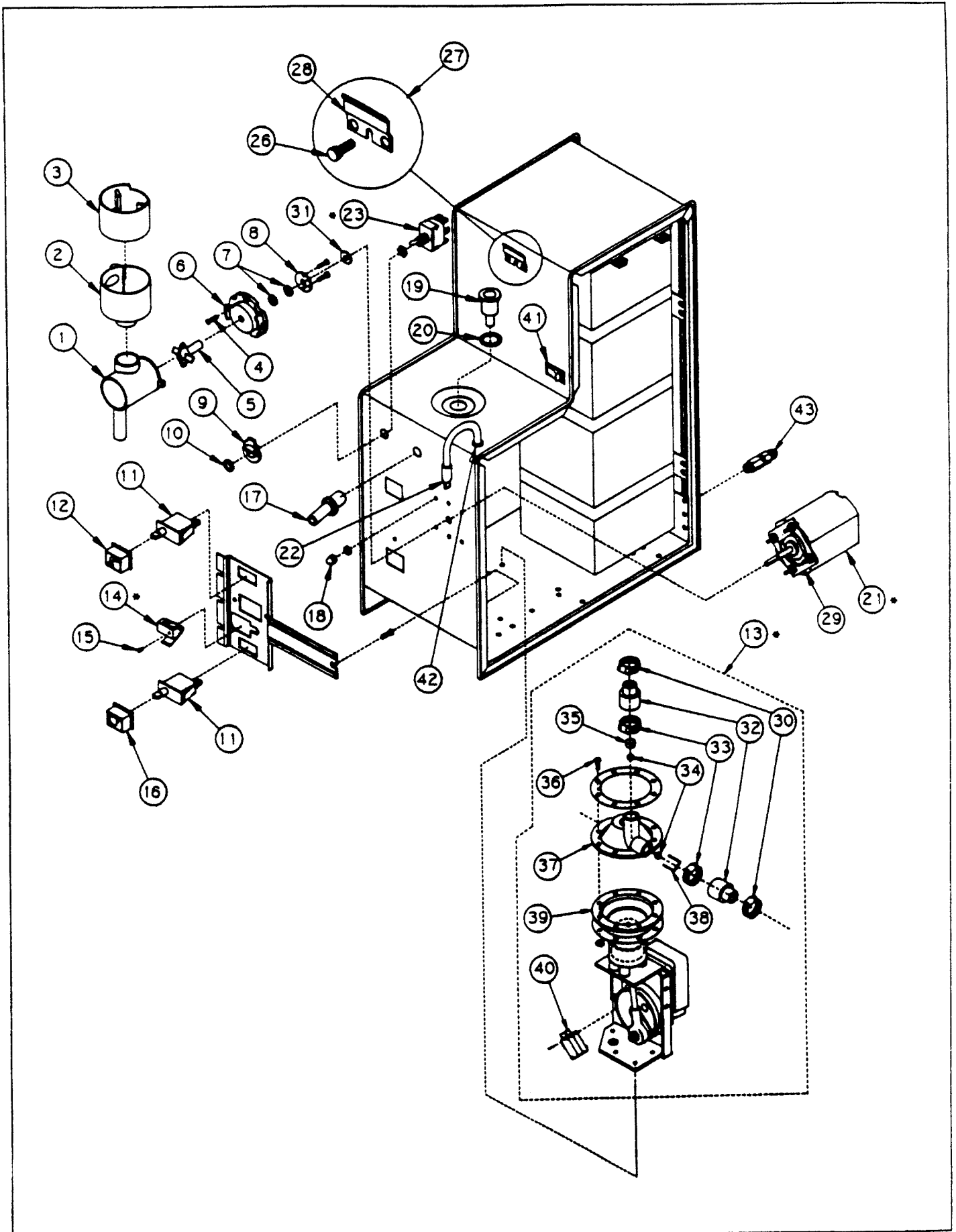
ALTERNATE PARTS FOR MODEL HCL30-W25 ONLY (220/240V 50HZ)

*13.....S7821.....SYRUP PUMP ASSEMBLY
*14.....S7606.....INDICATOR LIGHT/LENS
*21.....S4496.....WHIPPER MOTOR w/SLINGER WASHER
*23.....A5961.....SWITCH ON-OFF w/NUT
A1632.....POWER CORD - INTERNATIONAL (NOT SHOWN)
A5291.....POWER CORD - UK (NOT SHOWN)

xx For Units Below the Following Serial Numbers:
#3264 - HCL30 DOM
#1629 - HCL30-CANADA
#1101 - HCL30-W25

xxx For Units Below the Following Serial Numbers:
#5419 - HCL30 DOM

xxxx ... For Units Below the Following Serial Numbers:
#6100 - HCL30 DOM
#1538 - HCL30-W25



REPLACEMENT PARTS LIST

BESURE TO GIVE DISPENSER SERIAL AND MODEL NUMBER
WHEN YOU ORDER REPLACEMENT PARTS

HOT WATER TANK

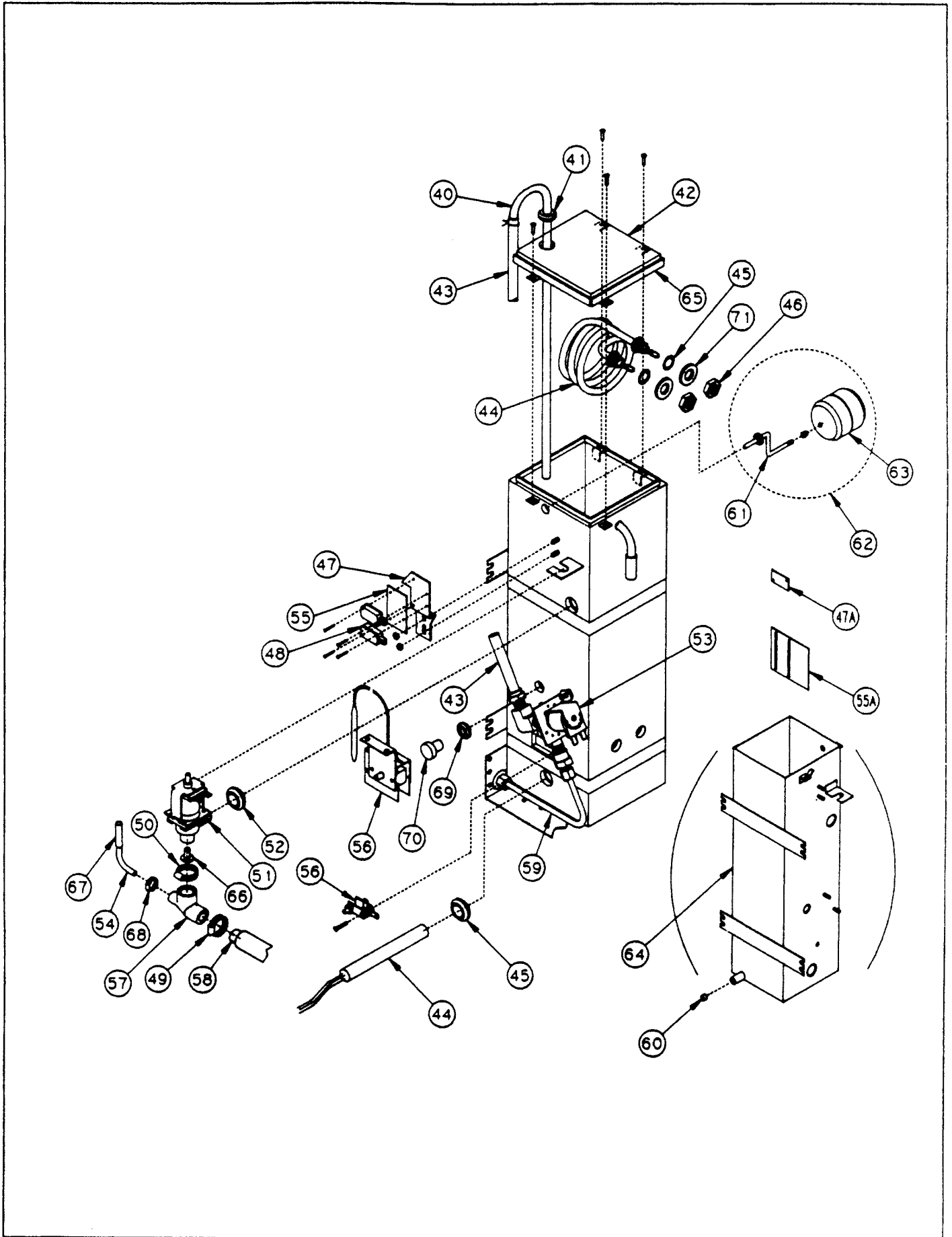
ITEM #	PART #	DESCRIPTION
40.....	A3914.....	TANK INLET WATER LINE S.S.
41.....	S7335.....	GROMMET (RUBBER)
42.....	A3906.....	TANK COVER W/INSULATION
43.....	A4441.....	SILICONE TUBING (2 FT.)
*44.....	A4379.....	HEATER COIL ASSY. W/NUTS & WASHERS (1500 WATTS @ 120V)
+45.....	A4802.....	HEATER COIL GROMMET (PKG. OF 4)
46.....	A3920.....	HEATER COIL MOUNTING NUT (PKG. OF 2)
47.....	A5990.....	SWITCH BRACKET
**47A.....	A3917.....	SWITCH TAPPING PLATE (OLDER UNITS - SEE NEXT PAGE)
48.....	A4298.....	SWITCH (2 USED)
49.....	S6078.....	HOSE CLAMP
50.....	S7739.....	HOSE CLAMP
51.....	A4382.....	ADJUSTABLE DISPENSING VALVE
52.....	S7336.....	RUBBER GROMMET
*53.....	A4350.....	INLET SOLENOID VALVE
54.....	A3911.....	STAINLESS STEEL ELBOW
55.....	A6049.....	SWITCH INSULATOR
**55A.....	A3912.....	SWITCH INSULATOR (OLDER UNITS - SEE BELOW)
*56.....	S4449.....	BI-METAL THERMOSTAT (NO BULB THERMOSTAT)
57.....	A4349.....	RUBBER TEE
58.....	A3913.....	DISCHARGE LINE (STAINLESS STEEL)
59.....	A3918.....	COPPER INLET WATER LINE
60.....	S4549.....	DRAIN PLUG
61.....	A4471.....	FLOAT ROD ASSEMBLY W/BOOT
62.....	A4475.....	STAINLESS STEEL FLOAT ASSEMBLY COMPLETE
63.....	A4299.....	FLOAT (STAINLESS STEEL)
*64.....	A4366.....	HOT WATER TANK ONLY (FOR TUBULAR HEATER)
65.....	A6377.....	RUBBER GASKET TANK TOP
66.....	A5629.....	FLOW RESTRICTOR - (IF USED) ID 7.1 MM (NOTE ID IF DIFFERENT)
67.....	A5937.....	VENT CONNECTION (IOC CLAMPS)
68.....	S3274.....	HOSE CLAMP
69.....	S7335.....	GROMMET
70.....	A6195.....	PLUG (ONLY IF EQUIPPED W/B: METAL THEROMSTAT)
71.....	14804.....	WASHER HEATER COIL
*44.....	A5308.....	HEATER COIL ASSEMBLY (CANADA - 1200 WATTS @ 120V)

REPLACEMENT PARTS LIST

BESURETOGIVEDISPENSERSERIALANDMODELNUMBER
WHEN YOU ORDER REPLACEMENT PARTS

HOT WATER TANK (CONT'D)

ITEM #	PART #	DESCRIPTION
<u>OLDER UNITS - TANK SWITCH MOUNT</u>		
**47A.....	A3917.....	SWITCH TAPPING PLATE
**55A.....	A3912.....	SWITCH INSULATOR
+EARLIER UNITS USE "O" RINGS - ORDER A3922 (PKG OF 4)		
<u>ALTERNATE PARTS FOR MODEL HCL30-W25 ONLY (220/240V 50HZ)</u>		
*44.....	A6826.....	CARTRIDGE HEATER (2000 WATTS @ 220V)
*51.....	A4476.....	ADJUSTABLE DISPENSING VALVE
*53.....	A4477.....	INLET SOLENOID VALVE
*56.....	A0776.....	THEROMOSTAT ASSEMBLY - BULB TYPE (NO BI-METAL THERMOSTAT)
*64.....	A5944.....	HOT WATER TANK ONLY (FOR CARTRIDGE HEATER)



REPLACEMENT PARTS LIST

BE SURE TO GIVE DISPENSER SERIAL AND MODEL NUMBER
WHEN YOU ORDER REPLACEMENT PARTS

CABINET ASSEMBLY

ITEM #	PART #	DESCRIPTION
80.....	A6520.....	HOOD - (BLACK) W/DECAL
81.....	S7590.....	HOPPER (FOR USE WITH #10 LID P/N S5076 ONLY) ACCESSORY - NOT INCLUDED
85.....	S5144.....	JET VENT LID (SIZE #2-1/2)
	S5076.....	JET VENT LID (SIZE # 10)
86.....	A5436.....	DRIP TRAY COVER - (BLACK)
87.....	A5437.....	DRIP TRAY - (BLACK)
88.....	A4780.....	RUBBER LEG W/SCREW (PKG. OF 4)
89.....	S9976.....	R.H. LOUVERED LOWER PANEL ASSY. (S.S.)
90.....	S9978.....	R.H. LOUVERED SIDE PANEL UPPER (S.S)
91.....	S9979.....	L.H. LOUVERED SIDE PANEL UPPER (S.S)
92.....	S9977.....	L.H. LOUVERED SIDE PANEL ASSY. (S.S)
	S3651.....	RUBBER BASE PAD (EARLIER MODELS - NOT SHOWN)

