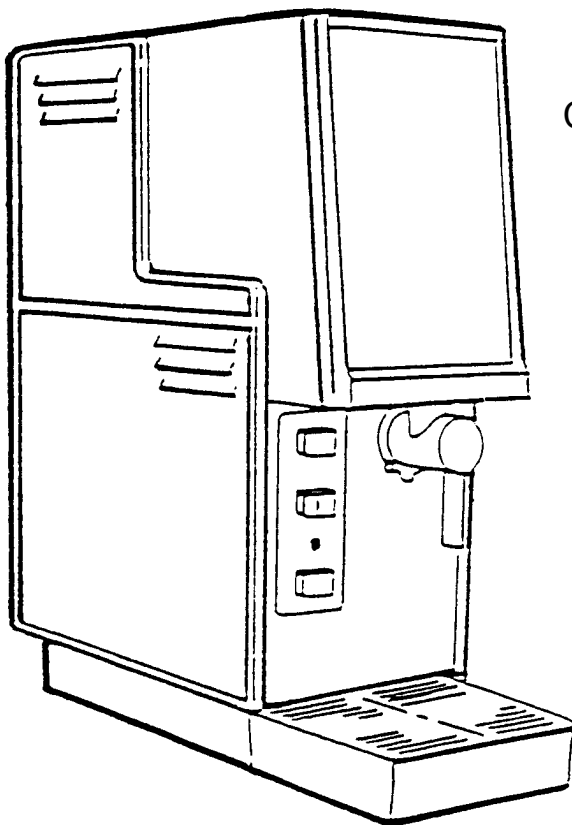


JET-SPRAY

PARTS LIST FOR **POWDERED HOT CHOCOLATE DISPENSER**



Distributed By:
Commercial Refrigeration Service, Inc.
WWW.JetsprayParts.COM
(866) 423-6253
(623) 869-8881

<u>UNIT NO.</u>	<u>MODEL NO.</u>
A4400	HC20-DOM
A6050	HC20-W25
A4444	HC20CF-DOM
A8974	HC20CF-W25
A5441	HC20-JAPAN
A9416	HC20-W26
A4672	HC20-CANADA
A4800	HC20CF-CANADA

Manufactured by IMI Cornelius/JetSpray
2401 N. Palmer Drive, Schaumburg, IL 60196
US & Canada ph: 1-888-248-5568 Outside the US ph: 1-630-539-5050
US & Canada Fax: 1-800-344-3801 Outside the US Fax: 1-630-539-6960

April 1999
Printed in U.S.A.

Document No. 16586
Revision No. 09

Your Standard of Excellence for Beverage Merchandising on Six Continents

REPLACEMENT PARTS LIST

BE SURE TO GIVE DISPENSER SERIAL AND MODEL NUMBER
WHEN YOU ORDER REPLACEMENT PARTS

HC20/HC20CF CHASSIS COMPONENTS

ITEM#	PART#	DESCRIPTION
1	A3699	WHIPPER CHAMBER w/SHORT SPOUT & DECAL (HC20CF MODELS ONLY)
1	S4618	WHIPPER CHAMBER w/DECAL (HC20 MODELS ONLY)
2	S7773	FUNNEL
2	A4750	FUNNEL w/SPOILER (HC20CF MODELS ONLY)
3	S3715	FUNNEL COVER
4	S4357	WHIPPER BASE SCREW (PKG OF 6)
5	S3759	IMPELLER
6	A6158	WHIPPER BASE ASSEMBLY
7	A6151	WHIPPER SHAFT SEAL (2 USED)
8	A6610	SEAL RETAINER
9	S3837	SWITCH PLATE
10	S1675	RING NUT
11	S7263	PUSH BUTTON SWITCH (2 USED)
12	S7698	HOT WATER BUTTON ONLY w/DECAL
13	17711	SELECTOR SWITCH
13	S3213	SELECTOR SWITCH (IN EARLIER UNITS w/CAM TIMER)
*14	S7304	INDICATOR LIGHT/LENS
15	S7696	LENS ONLY (INDICATOR LIGHT)
16	S7697	"CUP" PUSH BUTTON ONLY w/DECAL
17	A5821	SILICONE OUTLET TUBE
18	S4463	HEX CAP NUT (PKG OF 6)
*19	18324	SOLID STATE TIMER 120V (HC20 ONLY)
*19	S7695	CAMTIMER CONVERSION KIT (TO CONVERT EARLIER UNITS)
*19	S8173	CAMTIMER CONVERSION KIT (EARLIER UNITS) JAPAN
*20	S4498	GEAR MOTOR ASSEMBLY (115V/60Hz)
*21	S4495	WHIPPER MOTOR w/SLINGER WASHER (115V/60Hz)
22	A5794	HOPPER LOCATING PIN w/CLIP (PKG OF 2)
*23	S3004	SWITCH ON-OFF w/NUT
24	S3673	SHOULDER SCREW & NUT
26	A3752	THUMB SCREW FOR HOOD CATCH
27	A3756	HOOD CATCH/THUMB SCREW ASSEMBLY
28	S5172	HOOD CATCH
29	A6809	MOTOR MOUNT ASSEMBLY
30	S3868	SPOUT PLUG
31	S3721	TEFLON SLINGER WASHER
32	A4840	OUTLET EXTENSION TUBE (HC20CF MODELS ONLY)
33	S8214	FLUSH SWITCH (HC20CF MODELS ONLY)
*34	15130	POWER CORD (NOT SHOWN)
35	S4014	HEX WRENCH
36	S6746	LOCATING PLATE (EARLIER MODELS)
37	18341	SOLID STATE RELAY CONTROL BOX (HC20 MODELS ONLY)

* See page 2 for alternate parts.

REPLACEMENT PARTS LIST
 BE SURE TO GIVE DISPENSER SERIAL AND MODEL NUMBER
 WHEN YOU ORDER REPLACEMENT PARTS
HC20 CHASSIS COMPONENTS

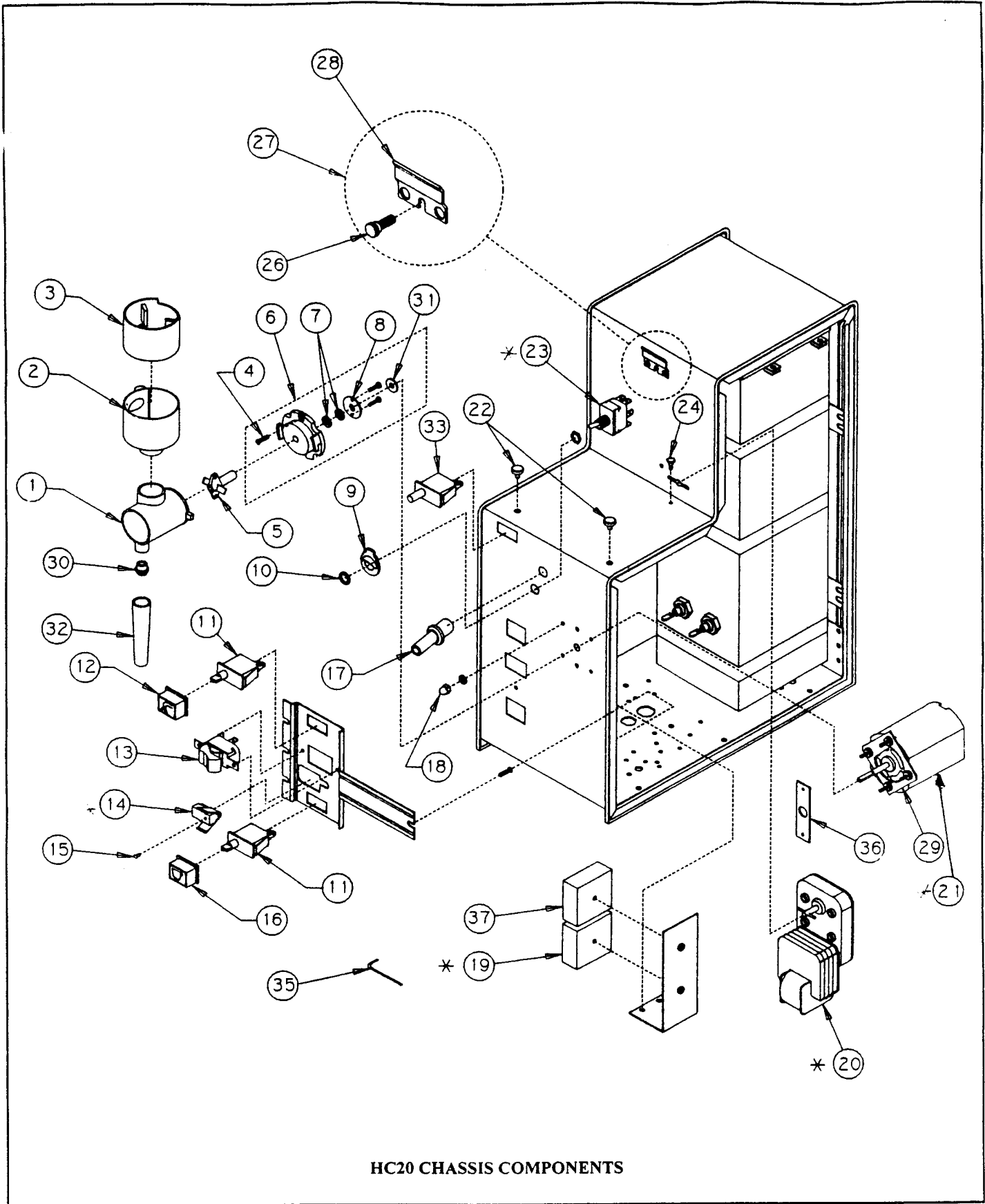
ITEM# PART# DESCRIPTION

*** ALTERNATE PARTS FOR HC20-W25, HC20CF-W25 & HC20-W26**

- *14 S7606 INDICATOR LIGHT/LENS
- *19 18348 SOLID STATE TIMER 230V (HC20 MODELS ONLY)
- *19 S7830 CAM TIMER CONVERSION KIT (TO CONVERT EARLIER UNITS)
- *20 S4499 GEAR MOTOR ASSEMBLY (220/240V 50Hz)
- *21 S4496 WHIPPER MOTOR w/SLINGER WASHER (220/240V 50 Hz)
- *23 A5961 SWITCH ON-OFF w/NUT
- *34 A1632 POWER CORD - INTERNATIONAL (NOT SHOWN)
- *34 15291 POWER CORD - UK (NOT SHOWN)

*** ALTERNATE PARTS FOR HC20-JAPAN, HC20-CANADA, & HC20CF-CANADA**

- *34 S4366 POWER CORD (NOT SHOWN)



Your Standard of Excellence for Beverage Merchandising on Six Continents

JETRAY

REPLACEMENT PARTS LIST

BE SURE TO GIVE DISPENSER SERIAL AND MODEL NUMBER
WHEN YOU ORDER REPLACEMENT PARTS

HC20 HOT WATER TANK

ITEM# PART# DESCRIPTION

40	A3914	TANK INLET WATER LINE S.S.
41	S7335	GROMMET (RUBBER)
42	A3906	TANK COVER W/INSULATION
43	A4441	SILICONE TUBING (3 FT.)
*44	A4379	HEATER COIL ASSEMBLY W/NUTS & WASHERS (1500 WATTS @ 120V)
+45	A4802	HEATER COIL GASKET (PKG. OF 2)
46	A3920	HEATER COIL MOUNTING NUT (PKG. OF 2)
47	A5990	SWITCH BRACKET
48	A4298	SWITCH (2 USED)
49	S6078	HOSE CLAMP
50	S7739	HOSE CLAMP
*51	A4382	ADJUSTABLE DISPENSING VALVE
52	S7336	RUBBER GROMMET
*53	A4350	INLET SOLENOID VALVE (120V 60Hz)
54	A3911	STAINLESS STEEL ELBOW
55	A6049	SWITCH INSULATOR
*56	S4449	BI-METAL THERMOSTAT (NOT BULB THERMOSTAT)
57	A4349	RUBBER TEE
58	A3913	DISCHARGE LINE (STAINLESS STEEL)
59	18910	ZELITE POLY TUBING (8-1/2" LONG)
	A3918	COPPER INLET WATER LINE (<i>older units only</i>)
60	S4549	DRAIN PLUG
61	A4471	FLOAT ROD ASSEMBLY W/BOOT
62	A4475	STAINLESS STEEL FLOAT ASSEMBLY COMPLETE
63	A4299	FLOAT (STAINLESS STEEL)
*64	A4366	HOT WATER TANK ONLY (FOR TUBULAR HEATER)
65	A6377	RUBBER GASKET TANK TOP
66	A5629	FLOW RESTRICTOR - (IF USED) ID 7.1 MM (NOTE ID IF DIFFERENT)
67	S4081	VENT CLAMPS (IOC CLAMPS)
68	S3274	HOSE CLAMP (PKG. OF 6)
69	S7335	GROMMET
70	A7682	PLUG (ONLY IF EQUIPPED W/BI METAL THERMOSTAT)
105	18817	FEMALE CONNECTOR
	S4574	TUBE CONNECTOR (<i>older units only</i>)
106	S2892	NUT & SLEEVE (<i>older units only</i>)
107	18629	MALE FLARE CONNECTOR
	S3734	WATER INLET FITTING (<i>older units only</i>)
108	18911	INLET FITTING SPACER
	18628	WATER INLET FITTING (NOT SHOWN)
** OLDER UNITS - TANK SWITCH MOUNT		
*47A	A3917	SWITCH TAPPING PLATE
*55A	A3912	SWITCH INSULATOR
+Early units used O'rings - Order A3922 (Pkg. of 4).		
* See page 5 for alternate parts.		

REPLACEMENT PARTS LIST

BE SURE TO GIVE DISPENSER SERIAL AND MODEL NUMBER
WHEN YOU ORDER REPLACEMENT PARTS

HC20 HOT WATER TANK

ITEM# PART# DESCRIPTION

*** ALTERNATE PARTS FOR HC20-W25, HC20CF-W25 & HC20-26**

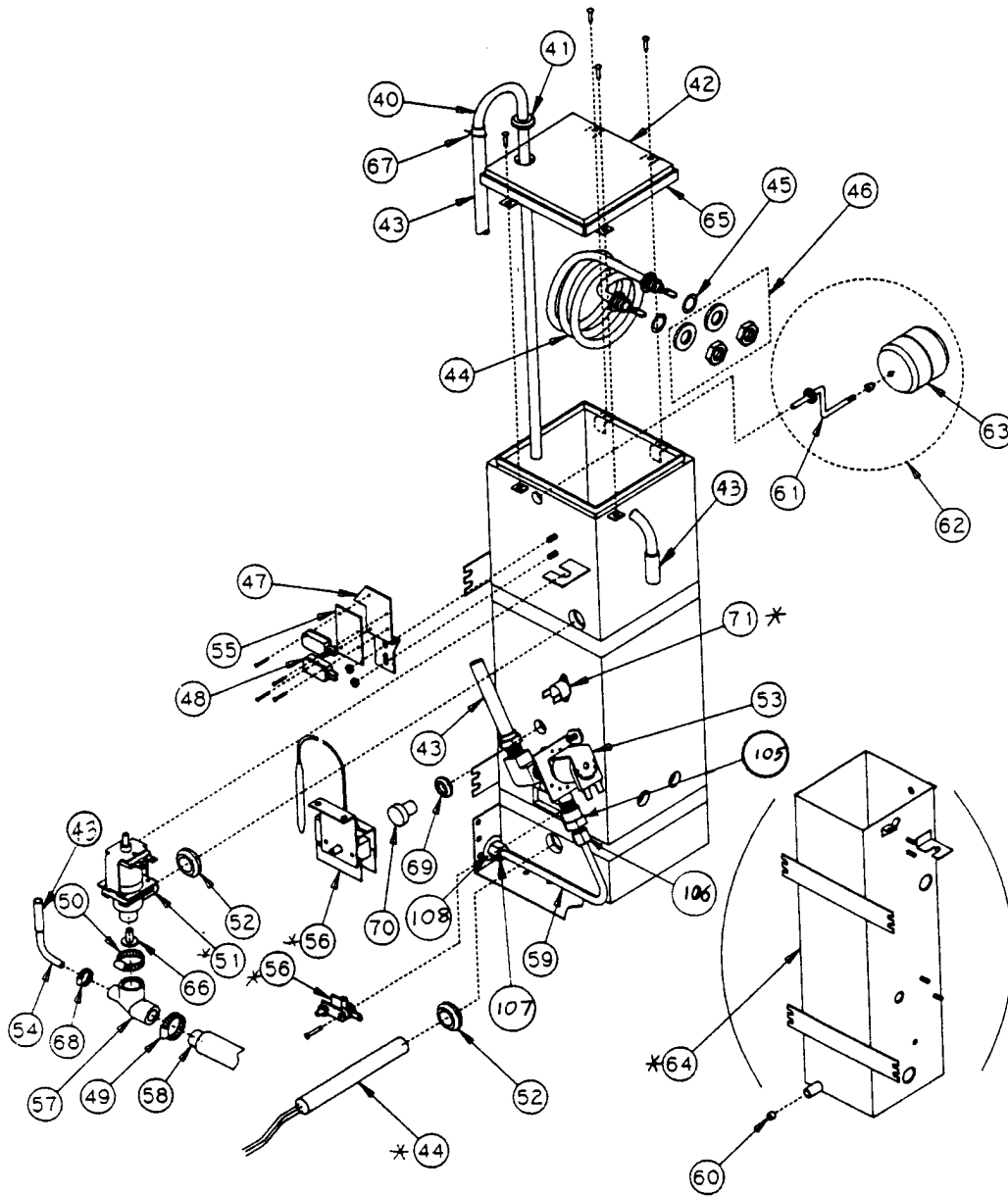
*44 A6826 CARTRIDGE HEATER (2000 WATTS @ 240V)
*51 A4476 ADJUSTABLE DISPENSING VALVE
*53 A4477 INLET SOLENOID VALVE
*56 A0767 THERMOSTAT ASSEMBLY - BULB TYPE (NOT BI-METAL THERMOSTAT)
USED ON EARLIER UNITS
*65 A1708 SNAP ACTION THERMOSTAT (FOR CARTRIDGE HEATER)
*64 A5944 HOT WATER TANK ONLY (FOR CARTRIDGE HEATER)
71 18054 THERMAL LIMIT (-W25 & -W26 ONLY)

*** ALTERNATE PARTS FOR HC20-CANADA**

*44 A5308 HEATER COIL ASSEMBLY W/NUTS & WASHERS (1200 WATTS @ 120V)

*** ALTERNATE PARTS FOR HC20-JAPAN**

*44 A5430 HEATER COIL ASSEMBLY W/NUTS & WASHERS (1200 WATTS @ 100V)



HC20 HOT WATER TANK

Your Standard of Excellence for Beverage Merchandising on Six Continents

JET-RAY

REPLACEMENT PARTS LIST

BE SURE TO GIVE DISPENSER SERIAL AND MODEL NUMBER
WHEN YOU ORDER REPLACEMENT PARTS

HC20 CABINET ASSEMBLY

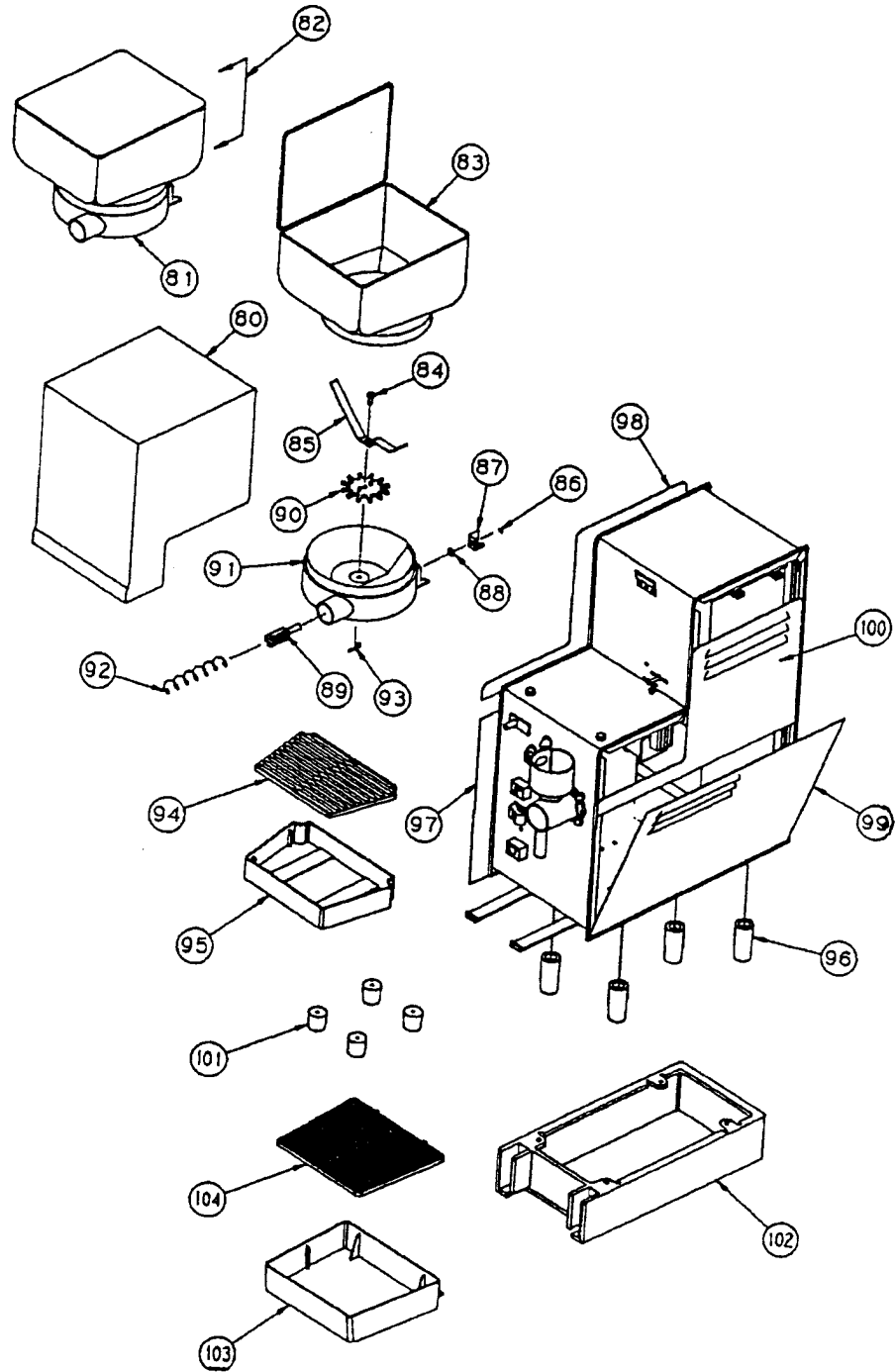
ITEM# PART# DESCRIPTION

80	A6510	HOOD (BLACK) W/DECAL
81	A1353	HOPPER BASE COMPLETE
82	A5875	HOPPER ASSEMBLY COMPLETE (STD. 5/8" PITCH AUGER)
83	S9179	HOPPER & COVER
84	S8155	DRIVE WHEEL RETAINER
85	S7692	PADDLE
86	S4453	SPRING CLIP (PKG. OF 6)
87	S4452	PLASTIC YOKE
88	S4506	STAINLESS STEEL WASHER (PKG. OF 6)
89	S8007	PLASTIC AUGER DRIVE
90	S4500	PLASTIC DRIVE WHEEL
91	A0961	HOPPER BASE ONLY
*92	S5561	AUGER STANDARD w/WIPER - 5/8" PITCH
93	S8157	RETAINER CLIP (PKG. OF 6)
94	A5436	BLACK DRIP TRAY COVER
95	A5437	BLACK DRIP TRAY
96	A0081	EXTENDED RUBBER LEGS (MODEL HC20CF ONLY) (PKG. OF 4)
97	S9977	L.H. LOUVERED LOWER PANEL ASSEMBLY
98	S9979	L.H. LOUVERED SIDE PANEL UPPER
99	S9976	R.H. LOUVERED SIDE PANEL ASSEMBLY
100	S9978	R.H. LOUVERED SIDE PANEL UPPER
101	A4780	RUBBER LEG w/SCREW - HC20 ONLY (PKG. OF 4)

*SPECIAL AUGERS (LOW THROW OR HI) HAVE NUMBERS ON HOPPER BASE

+102	A6494	FOAM BASE - MODEL HC20CF ONLY (BLACK)
+103	A1500	DRIP TRAY (BLACK) MODEL HC20CF ONLY
+104	A1501	DRIP TRAY COVER (BLACK) MODEL HC20CF ONLY

+Older units only



HC20 CABINET ASSEMBLY