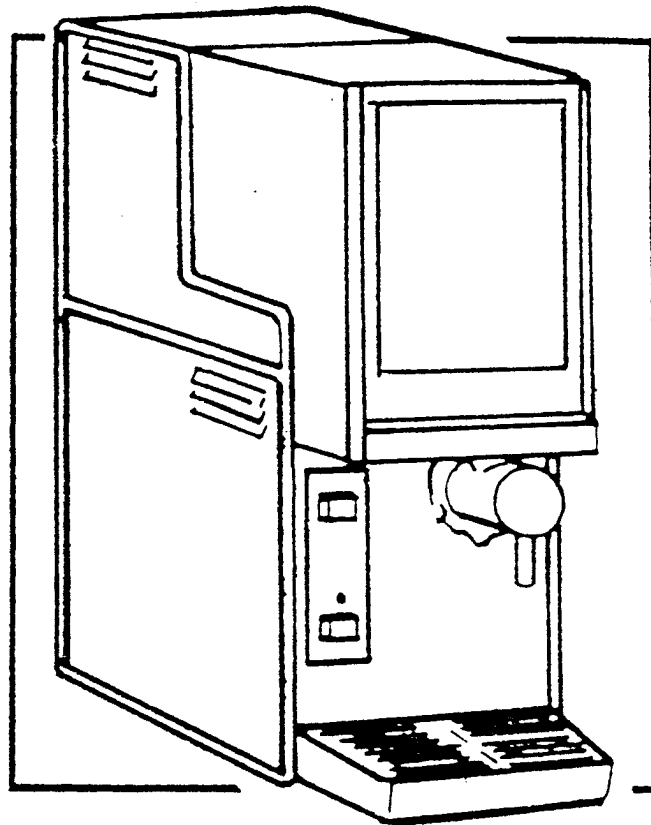


# JET SPRAY

## PARTS LIST

CAPPUCCINO COFFEE DISPENSER



Distributed By:

Commercial Refrigeration Service, Inc.

WWW.JetsprayParts.COM

(866) 423-6253

(623) 869-8881

<u>MODEL</u>	<u>UNIT NO.</u>
--------------	-----------------

CC10-DOM	A6634
----------	-------

CC10-W25	A6690
----------	-------

CC10-W26	A9418
----------	-------

Manufactured by Jet Spray Corporation

825 University Avenue, P.O. Box 8250, Norwood, MA 02062

Telephone (617) 769-7500 or (800) JET-CORP Fax: (617) 769-2368

June 1997

Printed in the U.S.A.

Document No. 16636

Revision No. 07

*Your Standard of Excellence for Beverage Merchandising on Six Continents*

BE SURE TO GIVE DISPENSER SERIAL AND MODEL NUMBER  
WHEN YOU ORDER REPLACEMENT PARTS

## CC10 CHASSIS COMPONENTS

ITEM#	PART#	DESCRIPTION
1	S4618	WHIPPER CHAMBER w/DECAL
2	A4750	FUNNEL w/SPOILER
3	S8236	SHOULDER SCREW (PKG OF 3)
4	S4357	WHIPPER BASE SCREW (PKG OF 6)
5	S3759	IMPELLER
6	A6158	WHIPPER BASE ASSEMBLY
7	A6151	WHIPPER SHAFT SEAL (2 USED)
8	A6610	SEAL RETAINER
9	S3837	SWITCH PLATE
10	S1675	RING NUT
11	S7263	PUSH BUTTON SWITCH (2 USED)
12	S7698	HOT WATER BUTTON ONLY w/DECAL
*14	S7304	INDICATOR LIGHT/LENS
15	S7696	LENS ONLY (INDICATOR LIGHT)
16	S7697	"CUP" PUSH BUTTON ONLY w/DECAL
17	A5821	SILICONE OUTLET TUBE
18	S4463	HEX CAP NUT (PKG OF 6)
*19	18324	SOLID STATE TIMER (120V)
	S7695	CAM TIMER REPLACEMENT KIT <i>(for older units prior to serial number 320318)</i>
*20	S4498	GEAR MOTOR ASSEMBLY (115V)
*21	S4495	WHIPPER MOTOR w/SLINGER WASHER
22	A5794	HOPPER LOCATING PIN w/CLIP (PKG OF 2)
*23	S3004	SWITCH ON-OFF w/NUT
24	S3673	SHOULDER SCREW & NUT
26	A3752	THUMB SCREW FOR HOOD CATCH
27	A3756	HOOD CATCH/THUMB SCREW ASSEMBLY
28	S5172	HOOD CATCH
29	A6809	MOTOR MOUNT ASSEMBLY
30	S4014	ALLEN WRENCH
31	S3721	TEFLON SLINGER WASHER
*32	A6678	10 WATT CERAMIC HEATER
33	S8320	SPOUT EXTENSION
34	18341	SOLID STATE TIMER CONTROL BOX
	15130	POWER CORD (NOT SHOWN)

\* FOR CC10-DOM UNIT ONLY (115V). SEE ALTERNATE PARTS FOR CC10-W25 & CC10-W26.

# REPLACEMENT PARTS LIST

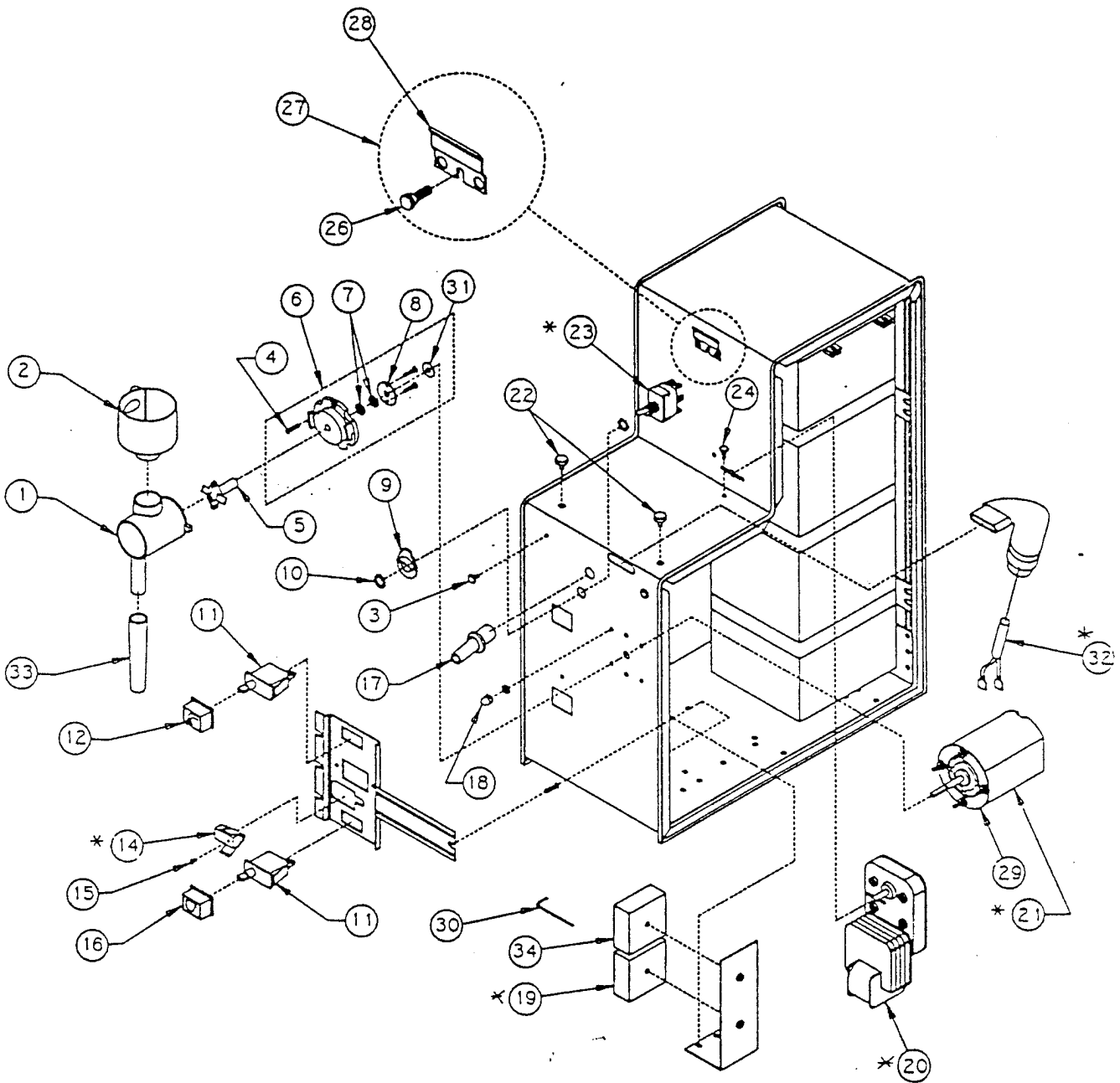
BE SURE TO GIVE DISPENSER SERIAL AND MODEL NUMBER  
WHEN YOU ORDER REPLACEMENT PARTS

## CC10 CHASSIS COMPONENTS

ITEM# ..... PART# ..... DESCRIPTION

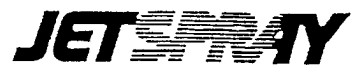
\* ALTERNATE PARTS FOR MODEL CC10-W25 (230V/50HZ) & CC10-W26 (220V/60HZ) ONLY

*14	..... S7606	..... INDICATOR LIGHT/LENS
*19	..... 18348	..... SOLID STATE TIMER (230V)
	..... S7830	..... CAM TIMER REPLACEMENT KIT <i>(for older units prior to serial number 320318)</i>
*20	..... S4499	..... GEAR MOTOR ASSEMBLY (230V)
*21	..... S4496	..... WHIPPER MOTOR w/SLINGER WASHER
*23	..... A5961	..... SWITCH ON-OFF w/NUT
*32	..... A4567	..... 10 WATT CERAMIC HEATER (220/240V 50 HZ)
*	..... A1632	..... POWER CORD - INTERNATIONAL (NOT SHOWN)
*	..... 15291	..... POWER CORD - UK (NOT SHOWN)



CC10 CHASSIS COMPONENTS

Your Standard of Excellence for Beverage Merchandising on Six Continents



**REPLACEMENT PARTS LIST**  
**BE SURE TO GIVE DISPENSER SERIAL AND MODEL NUMBER**  
**WHEN YOU ORDER REPLACEMENT PARTS**

**CC10 HOT WATER TANK**

**ITEM# ..... PART# ..... DESCRIPTION**

40	A3914	TANK INLET WATER LINE S.S.
41	S7335	GROMMET
42	A3906	TANK COVER w/ INSULATION
43	A4441	SILICONE TUBING (2 FT.)
*44	A4379	HEATER COIL ASSEMBLY w/ NUTS & WASHERS (1500w @ 120V)
45	A4802	HEATER COIL GASKET
46	A3920	HEATER COIL MOUNTING NUT & WASHER
47	A5990	INLET SOLENOID VALVE
48	A4298	THERMOSTAT ASSEMBLT - BULB TYPE
49	S6078	HOT WATER TANK ONLY (FOR CARTRIDGE HEATER)
50	S7739	HOSE CLAMP
*51	A4382	ADJUSTABLE DISPENSING VALVE
52	S7336	RUBBER GROMMET
53	A4350	INLET SOLENOID VALVE
54	A3911	STAINLESS STEEL ELBOW
55	A6049	SWITCH INSULATOR
*56	S4449	BI-METAL THERMOSTAT
57	A4349	RUBBER TEE
58	A6616	DISCHARGE LINE (STAINLESS STEEL)
59	18910	ZELITE POLY TUBING (8-1/2" LONG)
	A3918	COPPER INLET WATER LINE (older units only)
60	S4549	DRAIN PLUG
61	A4471	FLOAT ROD ASSEMBLY w/ BOOT
62	A4475	STAINLESS STEEL FLOAT ASSEMBLY - COMPLETE
63	A4299	FLOAT (STAINLESS STEEL)
*64	A4366	HOT WATER TANK ONLY (FOR COIL HEATER)
65	A6377	RUBBER GASKET
66	A5629	FLOW RESTRICTOR - (IF USED) ID 7.1MM (NOTE ID IF DIFFERENT)
67	S4081	VENT CLAMPS (IOC CLAMPS)
68	S3274	HOSE CLAMP
69	S7335	GROMMET
70	A7682	PLUG
102	18817	FEMALE CONNECTOR
	S4574	TUBE CONNECTOR (older units only)
103	S2892	NUT & SLEEVE (older units only)
104	18629	MALE FLARE CONNECTOR
	S3734	WATER INLET FITTING (older units only)
105	18911	INLET FITTING SPACER
	18628	WATER INLET FITTING (NOT SHOWN)

\* FOR CC10-DOM UNIT ONLY (115V). SEE ALTERNATE PARTS FOR CC10-W25 & CC10-W26.

REPLACEMENT PARTS LIST

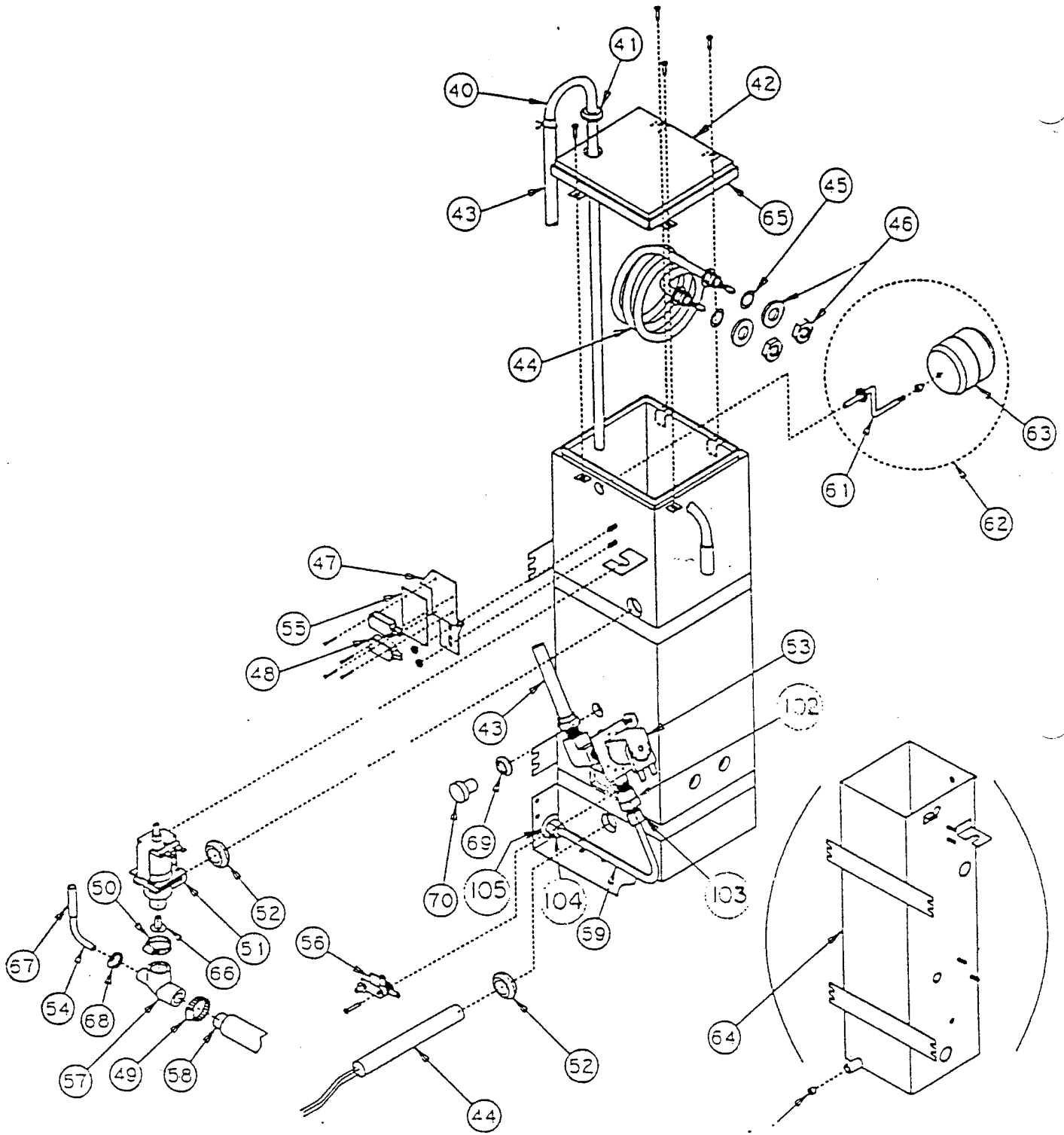
BE SURE TO GIVE DISPENSER SERIAL AND MODEL NUMBER  
WHEN YOU ORDER REPLACEMENT PARTS

CC10 HOT WATER TANK

ITEM# ..... PART# ..... DESCRIPTION

\* ALTERNATE PARTS FOR MODEL CC10-W25 (230V/50HZ) & CC10-W26 (220V/60HZ) ONLY

- \*44 ..... A6826 ..... CARTRIDGE HEATER (2000 WATTS @ 240V)
- \*51 ..... A4476 ..... ADJUSTABLE DISPENSING VALVE
- \*53 ..... A4477 ..... INLET SOLENOID VALVE
- \*56 ..... A1708 ..... THERMOSTAT
- \*64 ..... A5944 ..... HOT WATER TANK ONLY (FOR CARTRIDGE HEATER)



CC10 HOT WATER TANK

Your Standard of Excellence for Beverage Merchandising on Six Continents

**JETRAY**

# REPLACEMENT PARTS LIST

BE SURE TO GIVE DISPENSER SERIAL AND MODEL NUMBER  
WHEN YOU ORDER REPLACEMENT PARTS

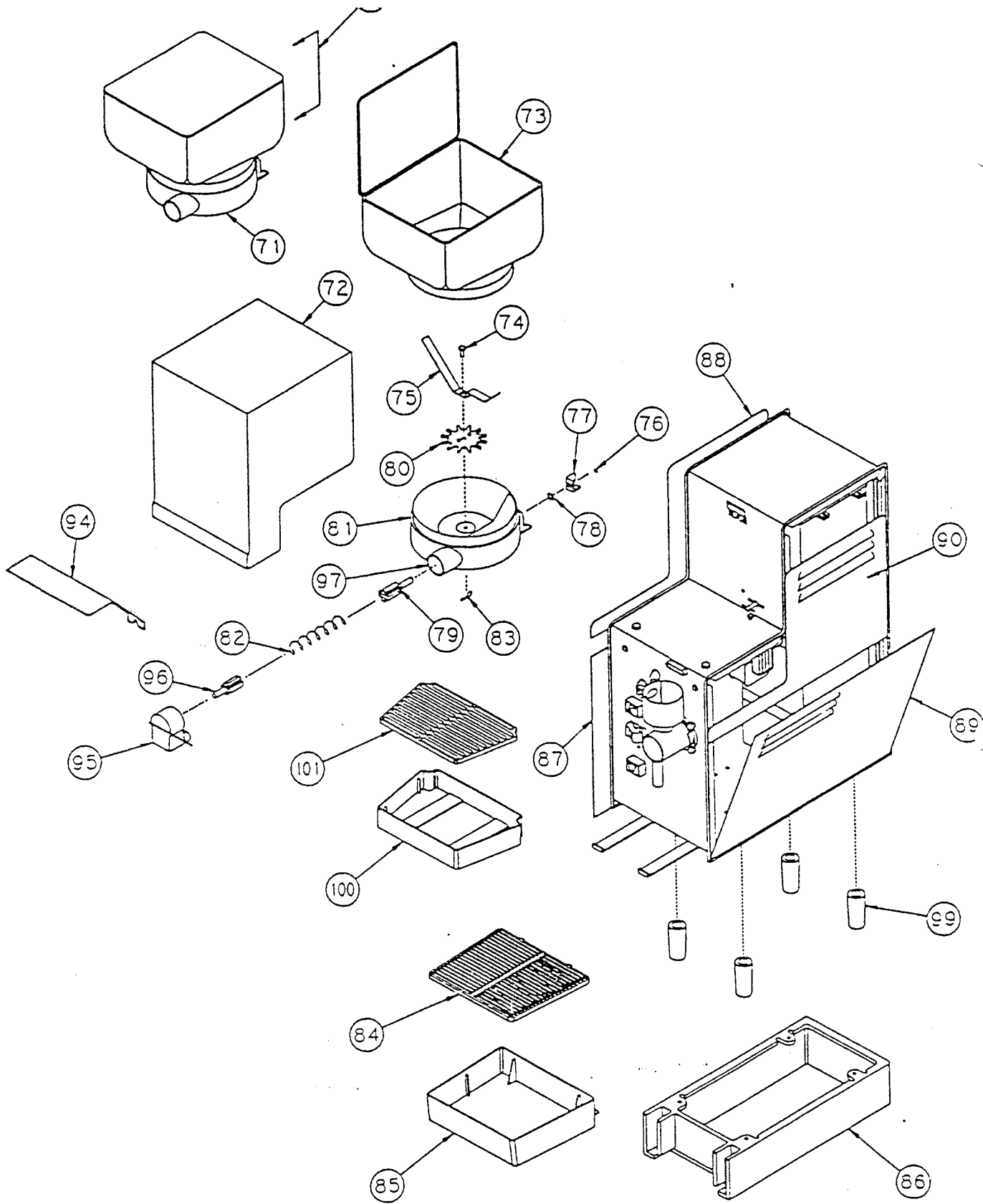
## CC10 CABINET ASSEMBLY

### ITEM# ..... PART# ..... DESCRIPTION

71	A1354	HOPPER BASE COMPLETE (SPECIFY PRODUCT USED)
72	A6651	HOOD - (BLACK) w/CAPPUCCINO DECAL - DECAL # A2655
73	A6267	HOPPER w/ Lid
74	S8155	DRIVE WHEEL RETAINER
75	S7692	PADDLE
76	S4453	SPRING CLIP (PKG OF 6)
77	S4452	PLASTIC YOKE
78	S4506	STAINLESS STEEL WASHER (PKG OF 6)
79	S8007	PLASTIC AUGER DRIVE
80	S4500	PLASTIC DRIVE WHEEL
81	A1358	HOPPER BASE ONLY
82	**	AUGER
83	S8157	RETAINER CLIP (PKG OF 6)
84	A1501	BLACK DRIP TRAY COVER (older units only) - CC10
85	A1500	BLACK DRIP TRAY (older units only) w/TABS - CC10
86	A6494	BASE MOUNT - FOAM (BLACK) (older units only)
87	S9977	L.H. LOUVERED LOWER PANEL ASSY.
88	S9979	L.H. LOUVERED SIDE PANEL UPPER
89	S9976	R.H. LOUVERED LOWER PANEL ASSY.
90	S9978	R.H. LOUVERED SIDE PANEL UPPER
94	S9089	BAFFLE
95	S8232	HEAT PLUG
96	S8668	PLUG ASSEMBLY
97	S8665	SLEEVE
98	A4383	<del>LID</del> HOPPER COVER
99	A0081	EXTENDED RUBBER LEGS
100	A5437	BLACK DRIP TRAY - CC10CF
101	A5436	BLACK DRIP TRAY GRILL - CC10CF

\*\* CONTACT FACTORY. ACTUAL PART NUMBER WILL VARY WITH UNIT.





CC10 CABINET ASSEMBLY

Your Standard of Excellence for Beverage Merchandising on Six Continents

**JETRAY**