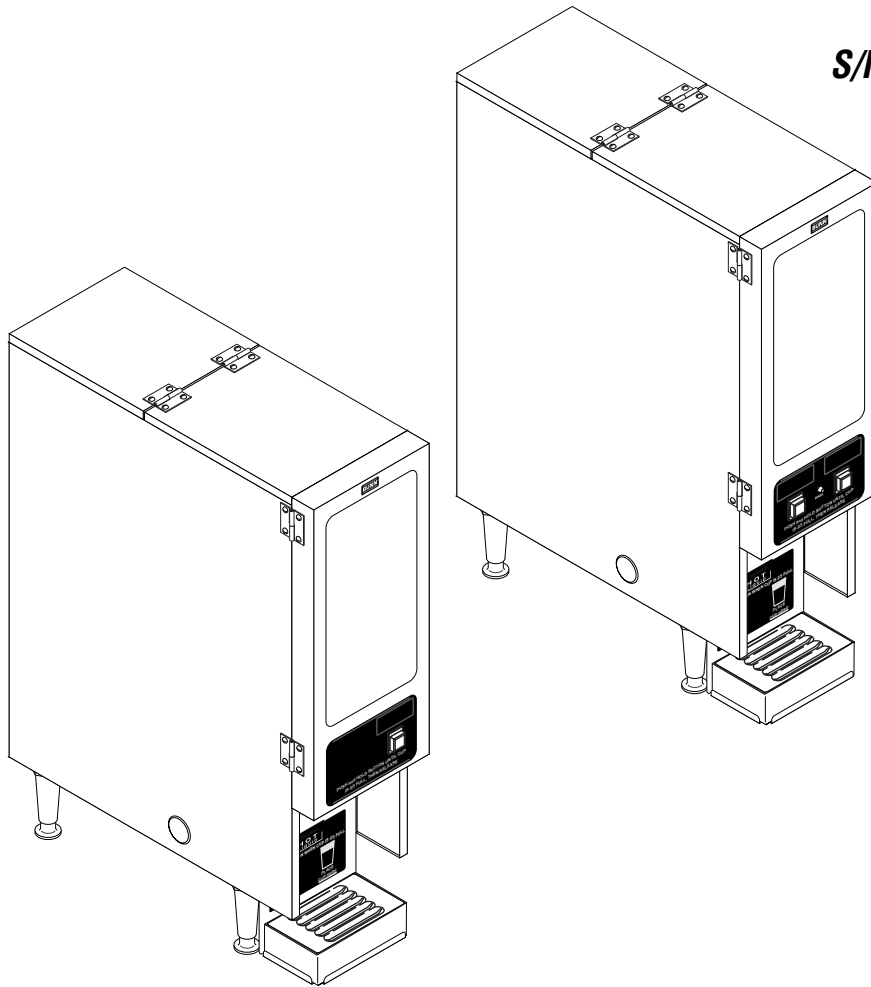


BUNN®

FMD-1

FMD-2

S/N FMD0013000 - UP



ILLUSTRATED PARTS CATALOG

Designs, materials, weights, specifications, and dimensions for equipment or replacement parts are subject to change without notice.

BUNN-O-MATIC CORPORATION

POST OFFICE BOX 3227

SPRINGFIELD, ILLINOIS 62708-3227

PHONE: (217) 529-6601 FAX: (217) 529-6644

BUNN-O-MATIC COMMERCIAL PRODUCT WARRANTY

Bunn-O-Matic Corp. ("BUNN") warrants equipment manufactured by it as follows:

- 1) All equipment other than as specified below: 2 years parts and 1 year labor.
- 2) Electronic circuit and/or control boards: parts and labor for 3 years.
- 3) Compressors on refrigeration equipment: 5 years parts and 1 year labor.
- 4) Grinding burrs on coffee grinding equipment to grind coffee to meet original factory screen sieve analysis: parts and labor for 3 years or 30,000 pounds of coffee, whichever comes first.

These warranty periods run from the date of installation BUNN warrants that the equipment manufactured by it will be commercially free of defects in material and workmanship existing at the time of manufacture and appearing within the applicable warranty period. This warranty does not apply to any equipment, component or part that was not manufactured by BUNN or that, in BUNN's judgment, has been affected by misuse, neglect, alteration, improper installation or operation, improper maintenance or repair, damage or casualty. This warranty is conditioned on the Buyer 1) giving BUNN prompt notice of any claim to be made under this warranty by telephone at (217) 529-6601 or by writing to Post Office Box 3227, Springfield, Illinois 62708-3227; 2) if requested by BUNN, shipping the defective equipment prepaid to an authorized BUNN service location; and 3) receiving prior authorization from BUNN that the defective equipment is under warranty.

THE FOREGOING WARRANTY IS EXCLUSIVE AND IS IN LIEU OF ANY OTHER WARRANTY, WRITTEN OR ORAL, EXPRESS OR IMPLIED, INCLUDING, BUT NOT LIMITED TO, ANY IMPLIED WARRANTY OF EITHER MERCHANTABILITY OR FITNESS FOR A PARTICULAR PURPOSE. The agents, dealers or employees of BUNN are not authorized to make modifications to this warranty or to make additional warranties that are binding on BUNN. Accordingly, statements by such individuals, whether oral or written, do not constitute warranties and should not be relied upon.

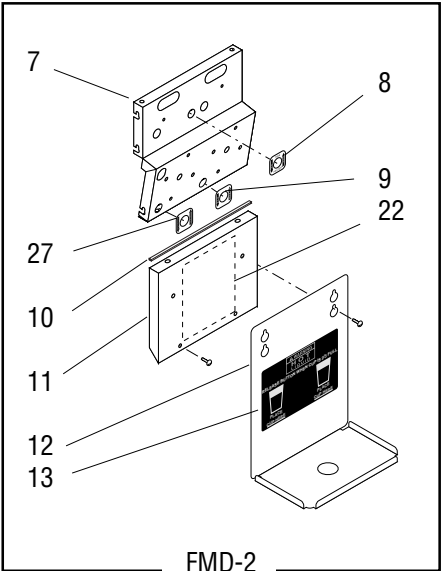
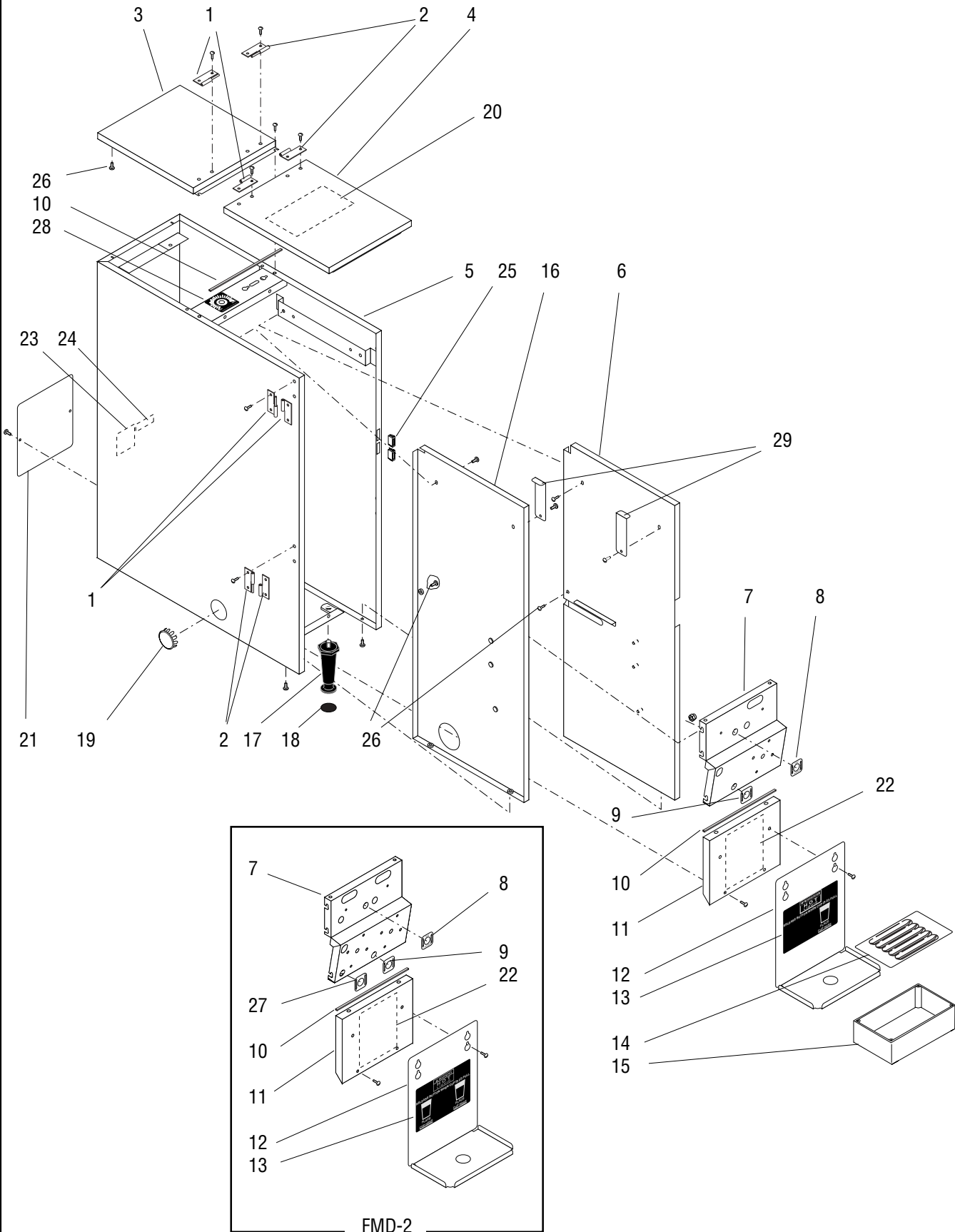
If BUNN determines in its sole discretion that the equipment does not conform to the warranty, BUNN, at its exclusive option while the equipment is under warranty, shall either 1) provide at no charge replacement parts and/or labor (during the applicable parts and labor warranty periods specified above) to repair the defective components, provided that this repair is done by a BUNN Authorized Service Representative; or 2) shall replace the equipment or refund the purchase price for the equipment.

THE BUYER'S REMEDY AGAINST BUNN FOR THE BREACH OF ANY OBLIGATION ARISING OUT OF THE SALE OF THIS EQUIPMENT, WHETHER DERIVED FROM WARRANTY OR OTHERWISE, SHALL BE LIMITED, AT BUNN'S SOLE OPTION AS SPECIFIED HEREIN, TO REPAIR, REPLACEMENT OR REFUND.

In no event shall BUNN be liable for any other damage or loss, including, but not limited to, lost profits, lost sales, loss of use of equipment, claims of Buyer's customers, cost of capital, cost of down time, cost of substitute equipment, facilities or services, or any other special, incidental or consequential damages.

TABLE OF CONTENTS

TITLE	PAGE NO.
Auger Drive and Hopper Assembly - FMD-1	10
Auger Drive and Hopper Assembly - FMD-2	12
Covers, Panels and Drip Tray	4
Dispense Valve and Lines	20
Door, Lamp, Dispense Switch and Panels	8
Electrical Controls - FMD-1	22
Electrical Controls - FMD-2	24
Fill Valve and Lines	18
Mixing/Whipper Chambers and Drive Motor	14
Numerical Index	26
Tank, Heater and Overflow Protection	16

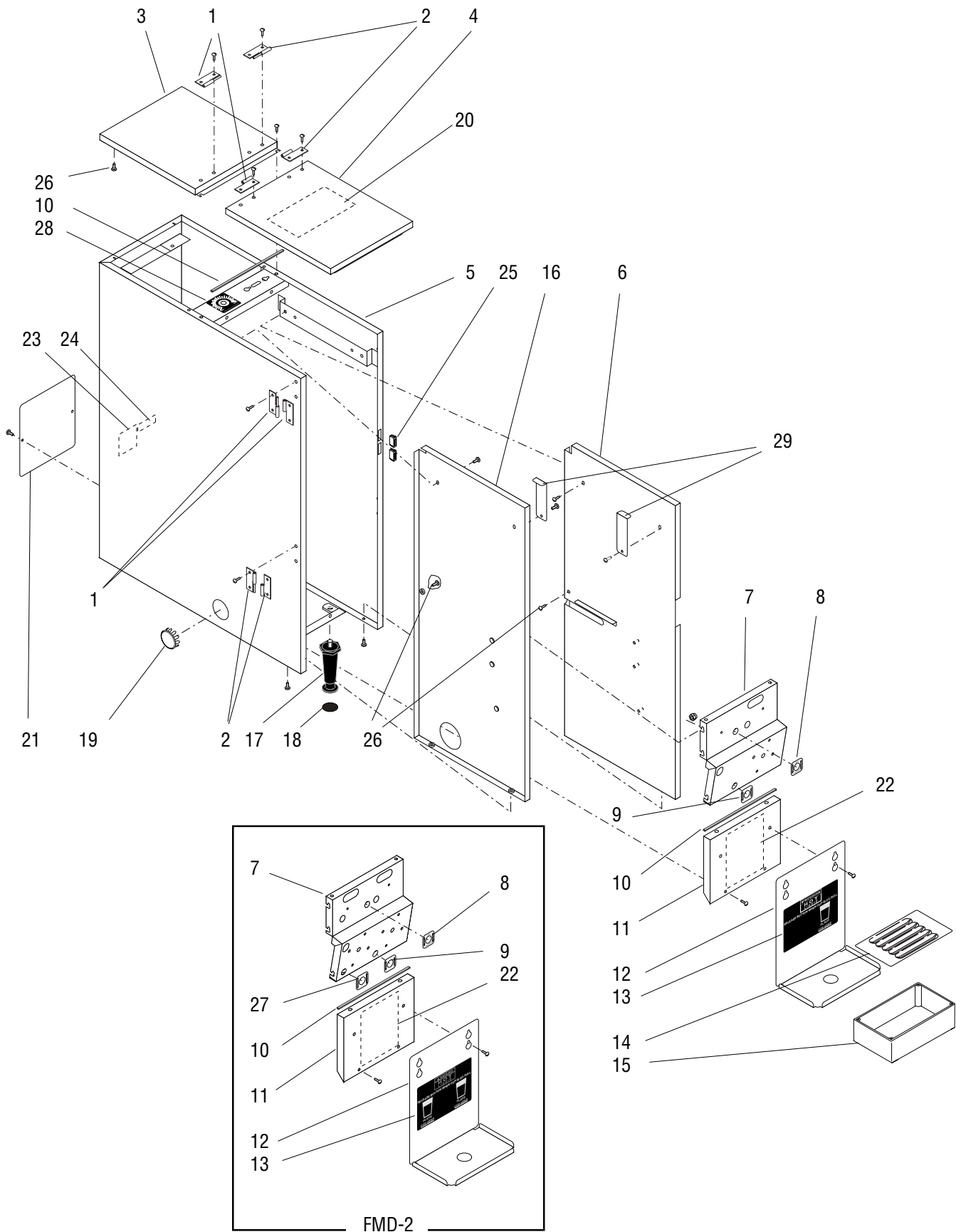


COVERS, PANELS AND DRIP TRAY

ITEM	PART NO.	QTY.	DESCRIPTION
1	29027.0001	2	Hinge, Left
	02322.0002	8	Screw, Pan Head - BLK #8-32 x .375"
2	29027.0000	2	Hinge, Right
	02322.0002	8	Screw, Pan Head - BLK #8-32 x .375"
3	28952.0001	1	Cover, Top Rear - BLK
	02308.0000	2	Screw, Pan Head #8-32 x .375"
4	28954.0001	1	Cover, Top Front (Also order item 20)
5	29172.0000	1	Housing W/Decals (Includes items 23 & 24, also order item 28)
6	28939.0001	1	Panel, Right
	01311.0001	2	Screw, Truss Head - Locking #8-32 x .25"
	01311.0003	2	Screw, Pan Head - BLK #8-32 x .375"
7	28937.0000	1	Panel, Whipper Motor Mounting (Also order items 8 & 9) (FMD-1)
	28937.0001	1	Panel, Whipper Motor Mounting (Also order items 8, 9 & 27) (FMD-2)
	00991.0000	6	Nut, Elastic Lock #8-32
8	26524.0000	1	Decal, Tank Heater Switch
9	26523.0000	1	Decal, Rinse/Run Switch
10	-----	2	Gasket, Foam W/Adhesive (Order item 30)
11	29174.0000	1	Cover, Lower Front Access (Includes item 22) (FMD-1)
	29174.0001	1	Cover, Lower Front Access (Includes item 22) (FMD-2)
	01311.0003	2	Screw, Truss Head - BLK #8-32 x .25"
12	29173.0000	1	Panel W/Decal, Splash (Includes item 13) (FMD-1)
	29173.0001	1	Panel W/Decal, Splash (Includes item 13) (FMD-2)
	01311.0000	2	Screw, Truss Head #8 - 32 x .25"
13	28328.0004	1	Decal, Caution-Hot Liquid & Cup Placement (FMD-1)
	28328.0005	1	Decal, Caution-Hot Liquid & Cup Placement (FMD-2)
14	28966.0000	1	Cover, Drip Tray
15	02571.0000	1	Drip Tray
16	28939.0000	1	Panel, Left
	01311.0001	2	Screw, Truss Head - Locking #8-32 x .25"
	01311.0003	2	Screw, Pan Head - BLK #8-32 x .375"
17	26528.0000	4	Leg, 4.0" Adjustable (Also see item 31)
18	03996.0000	4	Pad, Rubber 1.25" Dia. (Also see item 31)
19	23164.0002	1	Plug, Hole 1.50" Dia. - BLK
20	28368.0001	1	Decal, Thermostat Adjustment
21	28941.0001	1	Panel, Rear Access
	01311.0000	2	Screw, Truss Head #8 - 32 x .25"
22	29096.0000	1	Schematic, 120V, 120/208V & 120/240V (FMD-1)
	29096.0001	1	Schematic, 120V, 120/208V & 120/240V (FMD-2)

(Continued)

(Continued)



FMD-2

COVERS, PANELS AND DRIP TRAY

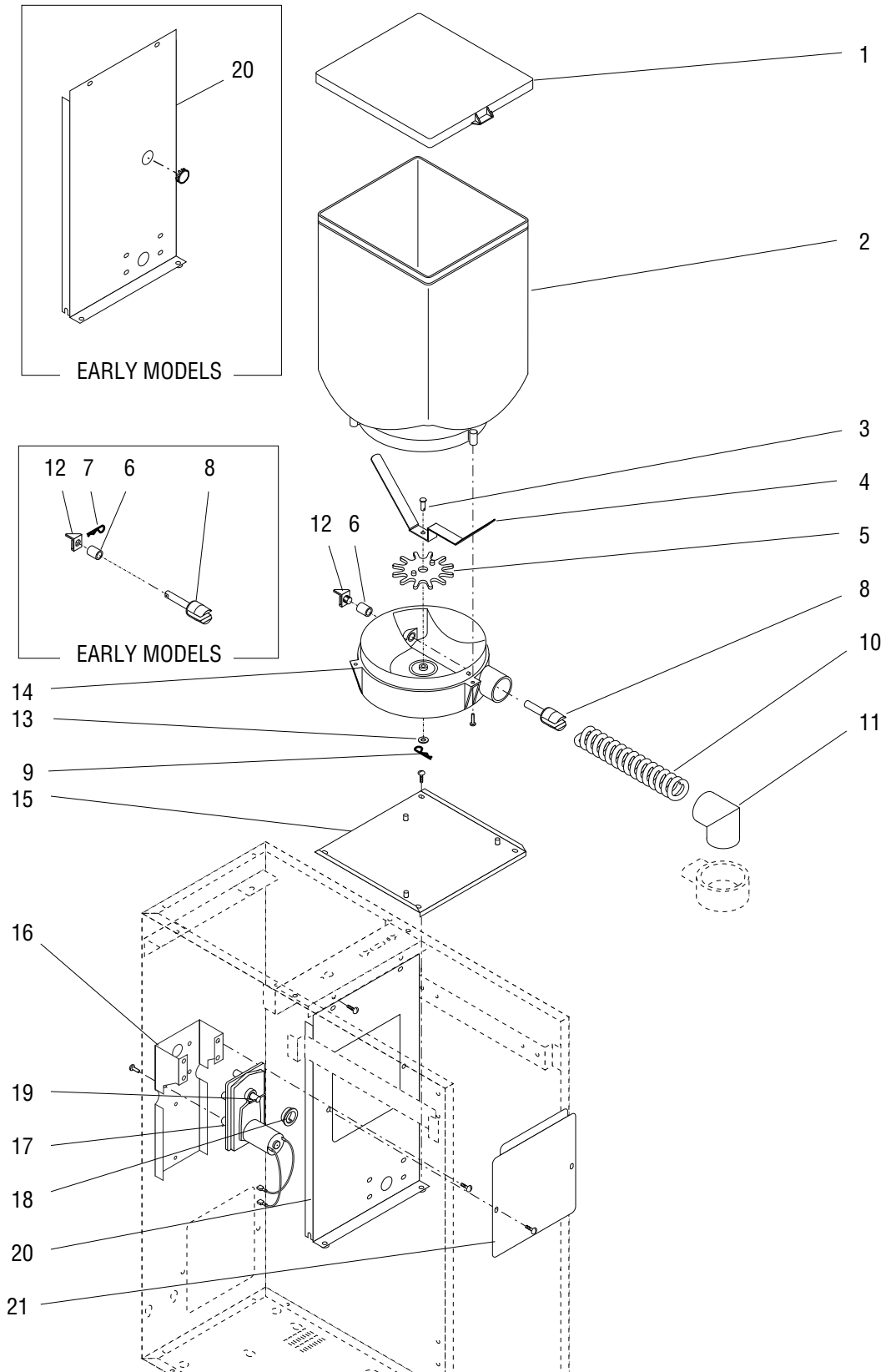
ITEM	PART NO.	QTY.	DESCRIPTION
23	00831.0000	1	Decal, Warning-Electrical
24	00656.0000	1	Decal, Comply to Plumbing Code
25	21436.0000	2	Catch, Magnetic
26	01311.0001	4	Screw, Truss Head - Locking #8-32 x .375"
27	28872.0000	1	Decal, Increase/Decrease (FMD-2)
28	27096.0000	1	Decal, Potentiometer Adjustment (FMD-1)
29	28910.0000	1	Bracket Kit, Cover Retainer (Includes two brackets) (Optional)
30	28366.1000	-	Gasket, Foam W/Adhesive - 12" LG
	28366.1001	-	Gasket, Foam W/Adhesive - 36" LG
	28366.1002	-	Gasket, Foam W/Adhesive - 120" LG
31	13255.0003	-	Kit, Leg 4.0" Adjustable (Includes 4 each of items 17 & 18) (Not Illustrated)

DOOR, LAMP, DISPENSE SWITCH AND PANELS

ITEM	PART NO.	QTY.	DESCRIPTION
1	29175.0000	1	Door W/Decals (Includes items 2, 17 and 18) (FMD-1)
	29175.0001	1	Door W/Decals (Includes items 2, 17 and 18) (FMD-2)
2	28964.0000	1	Decal, Door Front (FMD-1)
	28964.0001	1	Decal, Door Front (FMD-2)
3	29106.0000	1	Display, Graphic - Drink
	29106.0001	1	Display, Graphic - Soup
4	28963.0000	2	Window, Door
	00970.0000	2	Nut, Keps #8-32
5	-----	-	Hinge, Door (See Covers, Panels and Drip Tray)
6	26892.0000	1	Plate, Strain Relief
7	26444.0000	2	Bushing, Strain Relief
8	28325.0000	1	Socket W/Terminals, Starter
9	27619.0000	1	Starter, Lamp
10	28962.0000	1	Panel, Door - Lower
	01311.0000	4	Screw, Pan Head #8-32 x .250"
11	26239.0000	1	Lamp, Fluorescent - 8 Watts
12	28322.0000	2	Lamp Holder, Fluorescent
	02328.0002	2	Screw, Pan Head #6 - 32 x .188"
13	29176.0000	1	Panel W/Decal, Door - Upper (Includes item 14 & 20) (FMD-1)
	29176.0001	1	Panel W/Decal, Door - Upper (Includes item 14 & 20) (FMD-2)
	01311.0000	2	Screw, Truss Head #8 - 32 x .25"
14	29161.0000	1	Decal, Cleaning (FMD-1)
	29161.0001	1	Decal, Cleaning (FMD-2)
15	28335.0000	1	Clip, Ground
16	28296.0000	1	Switch Assembly, Dispense (One additional used on FMD-2 dispensers)
17	27298.0000	1	Striker Assy.
18	23279.0000	1	Decal, BUNN
19	12517.0001	1	L.E.D. W/Terminals (Not used on FMD-1)
	25292.0000	1	Lockwasher M6
	34130.0000		Nut M6

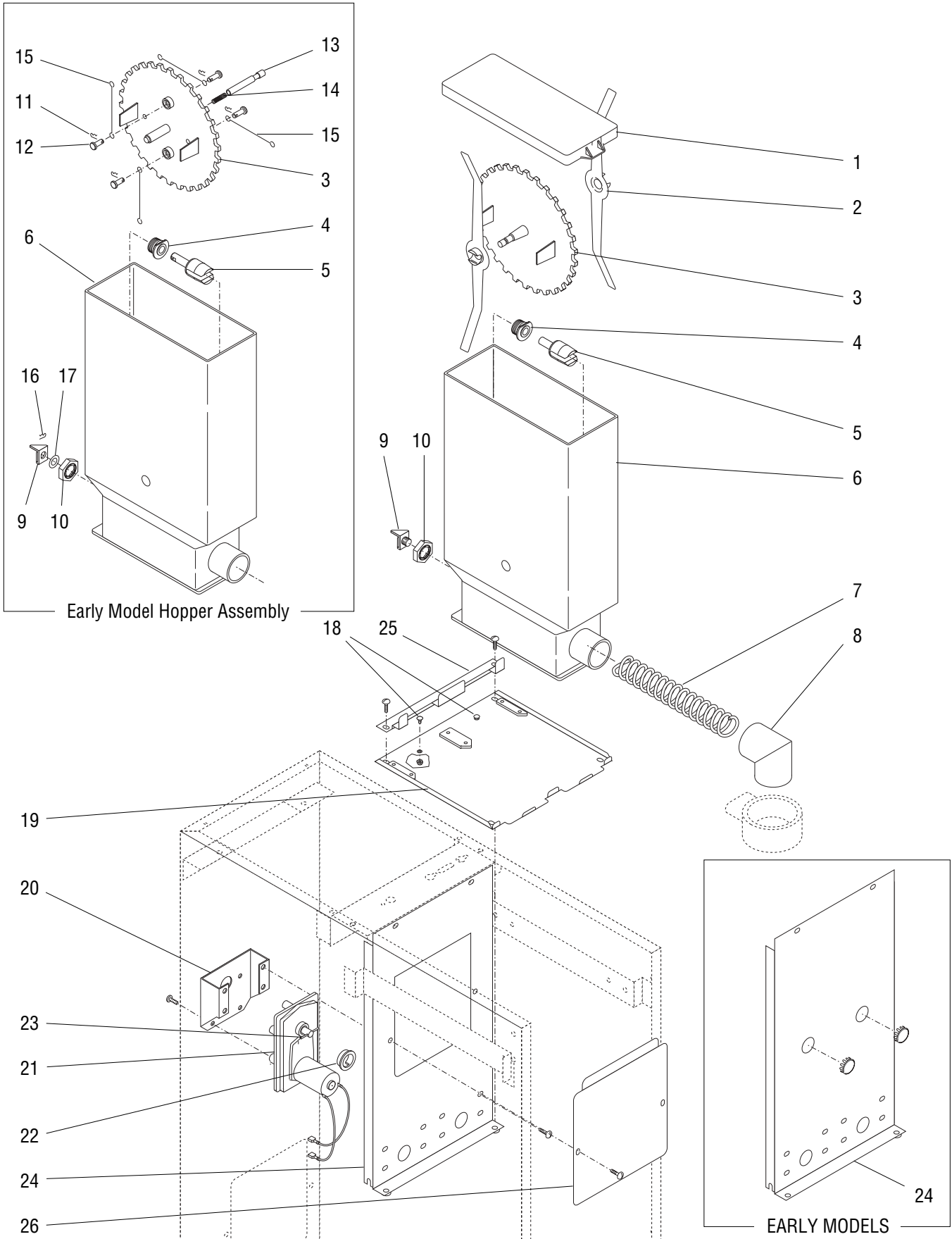
The following items are not illustrated

20	-----	2	Gasket, Foam W/Adhesive - 13.088" LG (Order item24)
21	28990.0000	1	Wiring Harness, Door Interconnect 120V (Includes item 6 & one of item 7) (FMD-1)
	29119.0000	1	Wiring Harness, Door Interconnect 120V (Includes item 6 & one of item 7) (FMD-2)
22	28336.0000	1	Wiring Harness, Door 120V
23	26537.0000	1	Decal, Flavors (Almond Amaretto, Cappuccino, French Vanilla, Hazelnut, Chocolate Raspberry, Cappuccino Supreme, Hot Chocolate and Raspberry Mocha)
	26537.0001	1	Decal, Flavors (Swiss Mocha, Mocha, Raspberry Vanilla, Irish Creme, Coffee, Original, Chocolate French Vanilla and Butter Pecan)
	26537.0003	1	Decal, Flavors (White Chocolate, Cinnamon Vanilla Nut, Decaf, Regular, Apple Cider, Fat Free French Vanilla and Cinnamon Vanilla)
	28833.0000	1	Decal, Soup Flavors (Cream of Chicken, Mushroom, Tomato, Broccoli, Potato and Cheddar Cheese)
	28833.0001	1	Decal, Soup Flavors (Chicken Consomme, French Onion,Chicken Noddle, Beef Noddle, Seafood Bisque and Clam Chowder)
24	28366.1001	-	Gasket, Foam W/Adhesive - 36" LG
	28366.1002	-	Gasket, Foam W/Adhesive - 120" LG



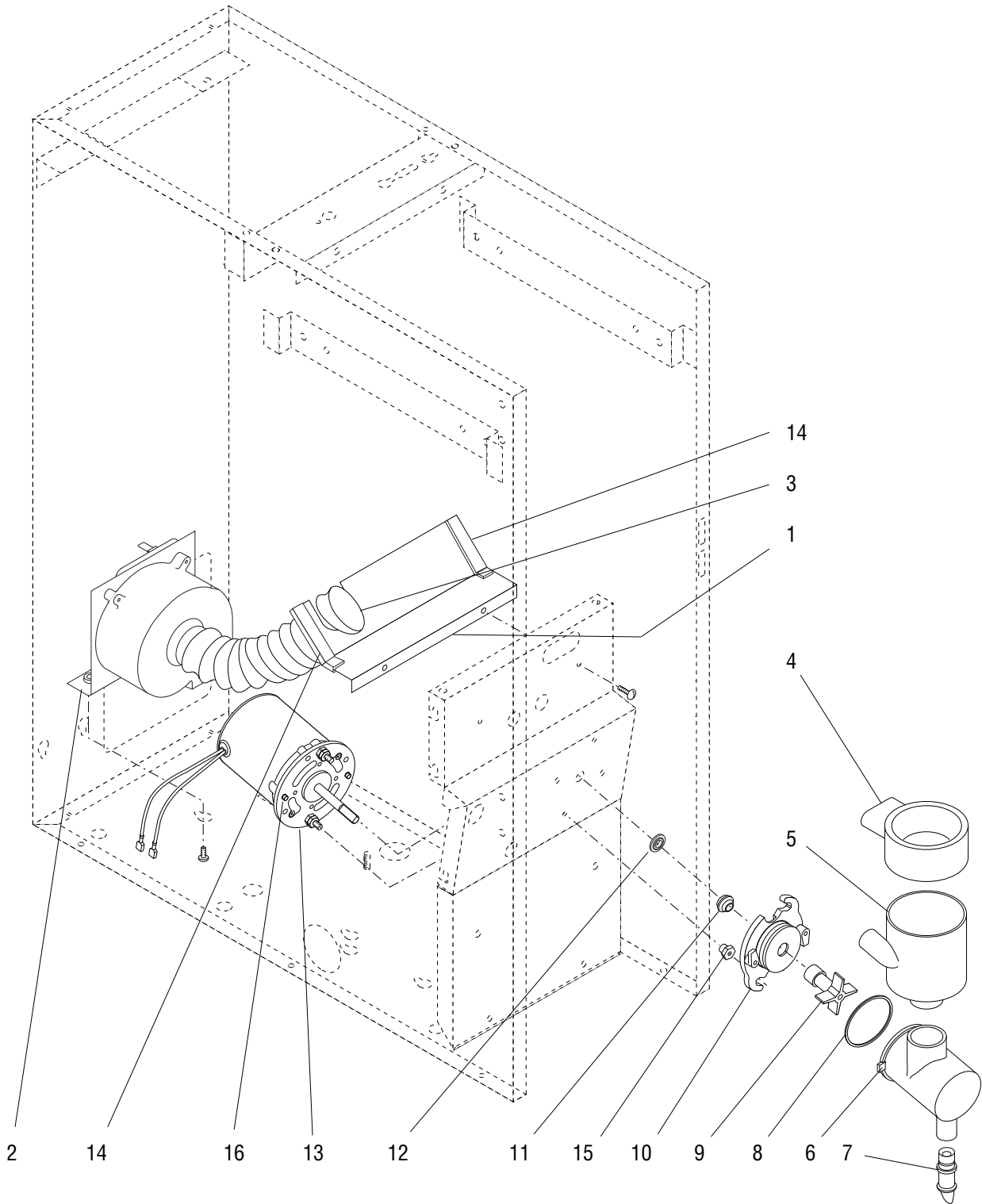
AUGER DRIVE AND HOPPER ASSEMBLY - FMD-1

ITEM	PART NO.	QTY.	DESCRIPTION
-	29014.1000	1	Hopper & Auger Drive Assy (Includes items 1 thru 14)
1	28679.0000	1	Lid, Hopper
2	28698.0000	1	Hopper
	20377.0000	3	Screw, Pan Head #4-20 x .50"
3	21357.0000	1	Shaft, Wiper
4	21747.0001	1	Blade, Wiper
5	26680.0000	1	Gear, Wiper Drive
6	25892.0000	1	Spacer, .312" I.D. x .437 O.D. x .56 LG
7	21358.0000	1	Clip, Retainer
8	-----	1	Shaft, Auger Drive (Early models order item 22)
	26940.0003	1	Shaft, Auger Drive (Late models)
9	21358.0000	1	Clip, Retainer
10	26112.0000	1	Auger, Wire
11	25903.0000	1	Elbow, Ejector
12	-----	1	Bracket, Auger Drive (Early models order item 22)
	32383.0000	1	Bracket, Auger Drive (Late models)
13	01522.0000	1	Washer, .203" I.D. x .50" O.D.
14	21465.0001	1	Base, Hopper
15	28942.0000	1	Panel, Hopper Support
	01311.0000	4	Screw, Truss Head # 8 - 32 x .25"
16	25794.0002	1	Bracket, Motor Mounting
	01311.0001	4	Screw, Truss Head 8 - 32 x .25"Locking
17	29642.1000	1	Gearmotor W/Pin, Auger (Includes item 19)
	01311.0000	4	Screw, Truss Head 8 - 32 x .25"
18	26401.0000	1	Dust Seal, Hopper Motor
19	26247.0000	1	Pin, Spring .094" Dia. x 1.0"
20	-----	1	Panel, Motor Mounting (Early Models. Not available, order late model bracket)
	28946.0000	1	Panel, Motor Mounting (Late Models)
	01311.0001	2	Screw, Truss Head - Locking #8-32 x .25"
	00619.0009	1	Plug, Hole .688" Dia. (Early Models only)
21	29575.0000	1	Panel, Dispense Valve Access (Late Models only)
	01311.0000	2	Screw, Truss Head #8-32 x .25"
22	32394.0001	-	Kit, Auger Drive Shaft (Converts early model Drive Shaft to late model Drive Shaft)



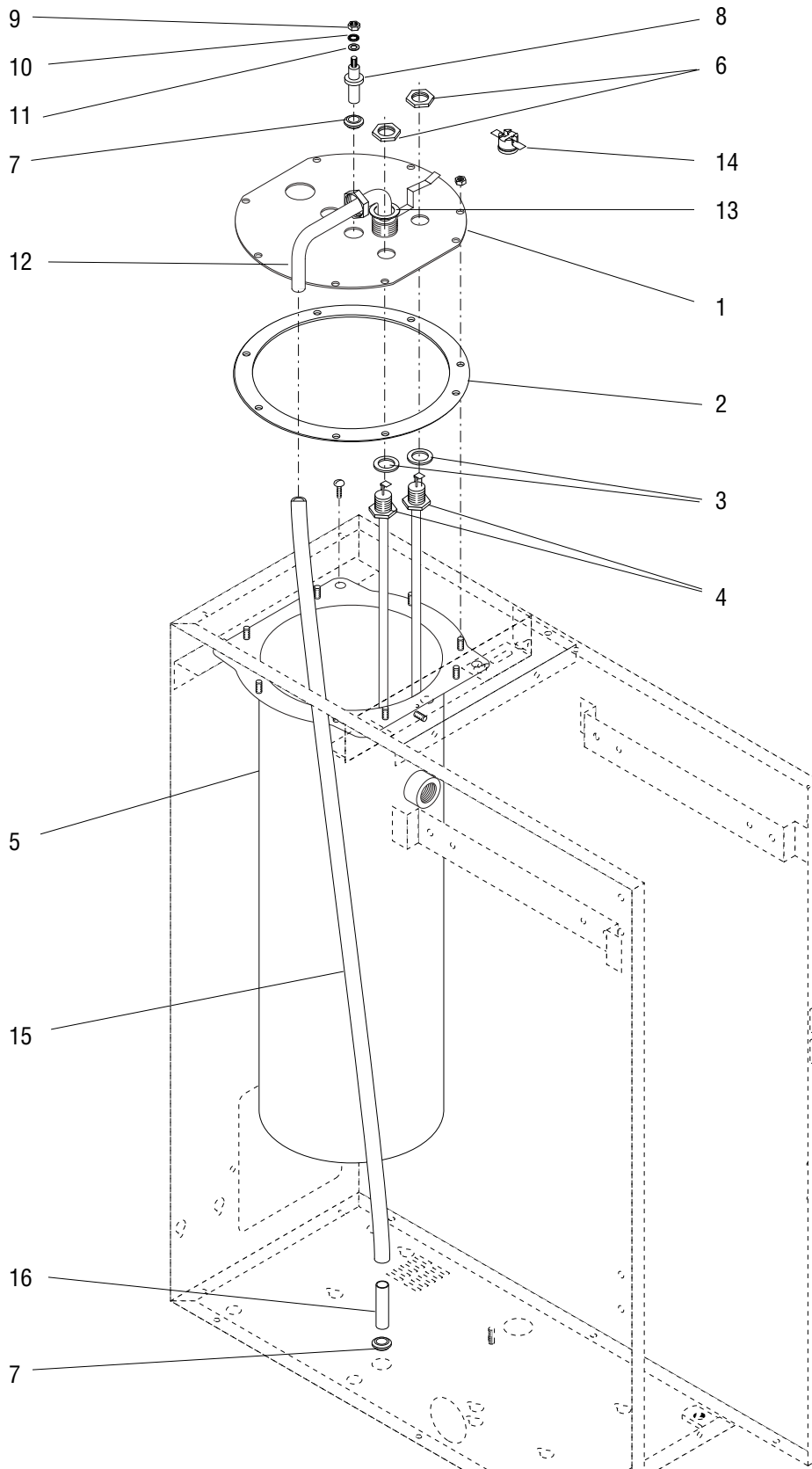
AUGER DRIVE AND HOPPER ASSEMBLY - FMD-2

ITEM	PART NO.	QTY.	DESCRIPTION
-	28424.1000	2	Hopper Assy (22 Tooth Agitator Disk)(Includes items 1 thru 10)
	28424.1002	2	Hopper Assy (30 Tooth Agitator Disk)(Includes items 1 thru 10)
1	28061.0000	1	Lid, Hopper
2	32337.0000	2	Mixing Blade (Late models)
3	26435.0000	1	Disk, Agitator (22 Tooth)
	26435.0001	1	Disk, Agitator (30 Tooth)
	32386.0000	1	Disk, Agitator (22 Tooth)
	32386.0001	1	Disk, Agitator (30 Tooth)
4	28067.0000	1	Bushing, Auger Drive Shaft
5	-----	1	Shaft, Auger Drive (Early models order item 28)
	26940.0002	1	Shaft, Auger Drive (Late models)
6	28425.0000	1	Hopper
7	26112.0001	1	Auger, Wire (Use w/22 Tooth Agitator Disk)
	21355.0001	1	Auger, Wire (Use w/30 Tooth Agitator Disk)
8	25903.0000	1	Elbow, Ejector
9	-----	1	Bracket, Auger Drive (Early models order item 28)
	32383.0000	1	Bracket, Auger Drive (Late models)
10	25743.0000	1	Locknut
11	21358.0000	4	Clip, Retainer
12	21357.0000	4	Shaft, Wiper
13	26436.0000	1	Rod, Agitator Support
14	26449.0000	1	Spring
15	26441.0000	4	Wire, Agitator
16	21358.0000	1	Clip, Retainer
17	21365.0000	1	Washer, .31" I.D. x .56" O.D.
18	20960.0000	2	Shoulder Screw
	00991.0002	2	Nut, Elastic Lock #6-32
19	28945.0000	1	Panel, Hopper Support
	29934.1000	1	Panel, Hopper Support (Models with Hopper Guides)
	01311.0000	4	Screw, Truss Head #8-32 x .25"
20	25794.0001	2	Bracket, Motor Mounting
	01311.0001	8	Screw, Truss Head #8-32 x .25" Locking
21	29642.1001	2	Gearmotor W/Pin, Auger 120V (Includes item 20 & 23)
	01311.0000	8	Screw, Truss Head #8-32 x .25"
	01511.0000	2	Lockwasher, External Tooth #8
22	26401.0000	2	Dust Seal, Hopper Motor
23	26247.0000	2	Pin, Spring .094" Dia. x 1.0"
24	-----	1	Panel, Motor Mounting (Early Models. Not available, order late model bracket)
	28946.0001	1	Panel, Motor Mounting (Late Models)
	01311.0001	2	Screw, Truss Head - Locking #8-32 x .25"
	00619.0009	2	Plud, Hole .688" Dia. (Early Models only)
25	29712.0000	1	Bracket, Hopper Locator
26	29575.0000	1	Panel, Dispense Valve Access (Late Models only)
	01311.0000	2	Screw, Truss Head #8-32 x .25"
27	11685.0000	1	Brush, Hopper Cleaning (Not Illustrated)
28	32394.0000	-	Kit, Auger Drive Shaft (Converts early models Drive Shaft to late model Drive Shaft)



MIXING/WHIPPER CHAMBERS AND DRIVE MOTOR

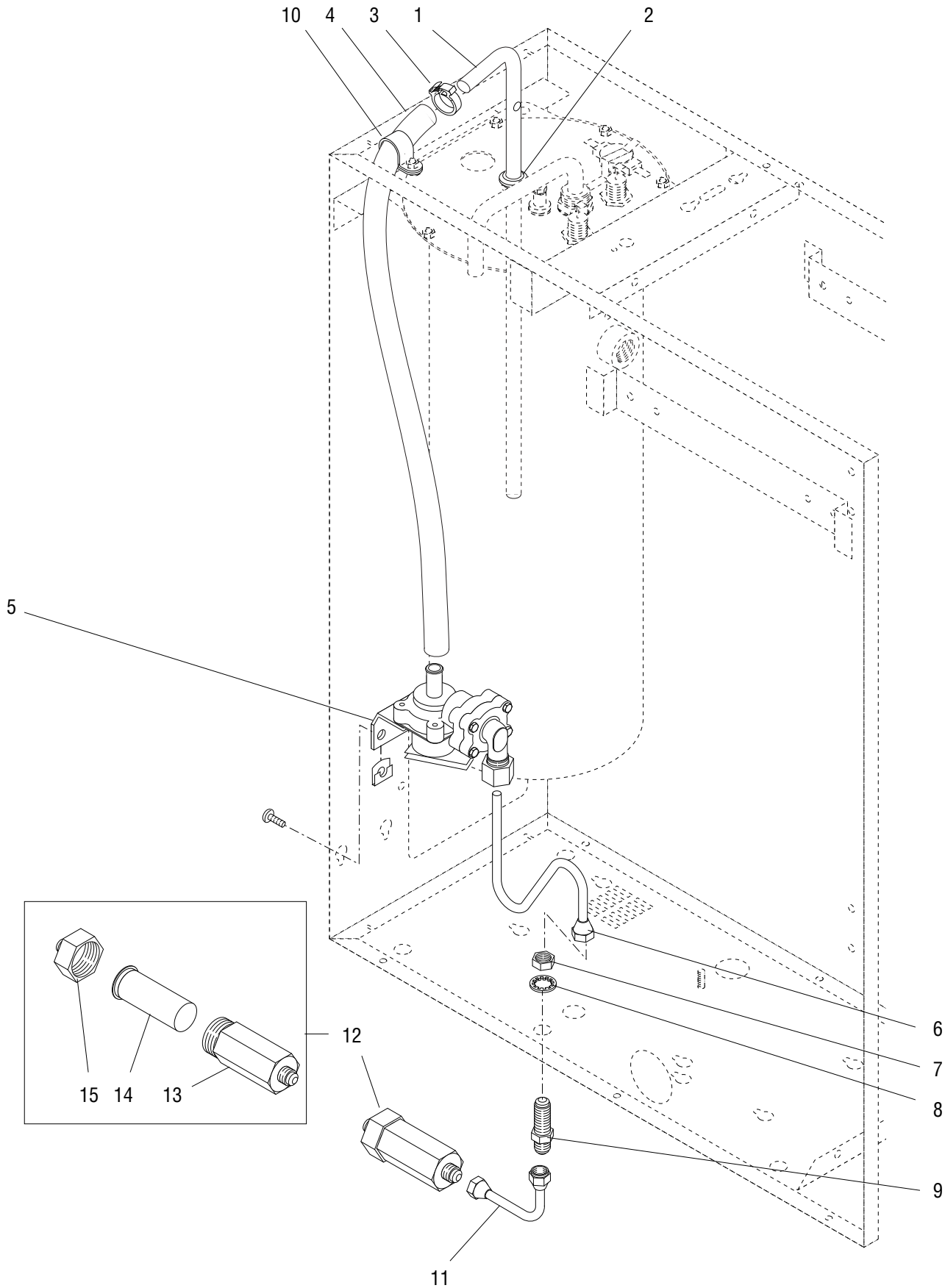
ITEM	PART NO.	QTY.	DESCRIPTION
			*FMD-1
			**FMD-2
		* **	
1	29178.0000	1 -	Baffle Assembly, Fan (Includes item 14) (FMD-1) (Shown)
	29178.0001	- 1	Baffle Assembly, Fan (Includes item 14) (FMD-2)
	02336.0000	2 2	Screw, Truss Head #4-40 x .25"
2	28295.0000	1 1	Fan & Bracket Assembly (120V)
	01311.0001	2 2	Screw, Truss Head - Locking #8-32 x .25"
3	28297.0000	1 1	Hose, Vacuum
4	25732.0000	1 2	Steam Collector
5	25733.0000	1 2	Mixing Chamber
6	25734.0000	1 2	Whipper Chamber
7	25736.0000	1 2	Dispense Tip - Drink
	28864.0000	1 2	Dispense Tip - Soup
8	24733.0010	1 2	O-Ring
9	25902.0000	1 2	Frother
10	28866.0000	1 2	Receptacle, Whipper Chamber
11	26356.0000	1 2	Seal, Shaft
12	28867.0000	1 2	Slinger
13	28428.1000	1 2	Motor, Whipper (Includes item 16)
14	-----	2 2	Gasket, Silicone 2.25" LG (Order item 17)
15	28865.0000	2 4	Nut
16	32306.0000	2 4	Spacer
17	02434.1000	- -	Gasket, Silicone 18" LG
18	32906.0000	- -	Kit, Preventive Maintenance (Includes items 4 thru 11 and 25903.0000 Elbow)



TANK, HEATER AND OVERFLOW PROTECTION

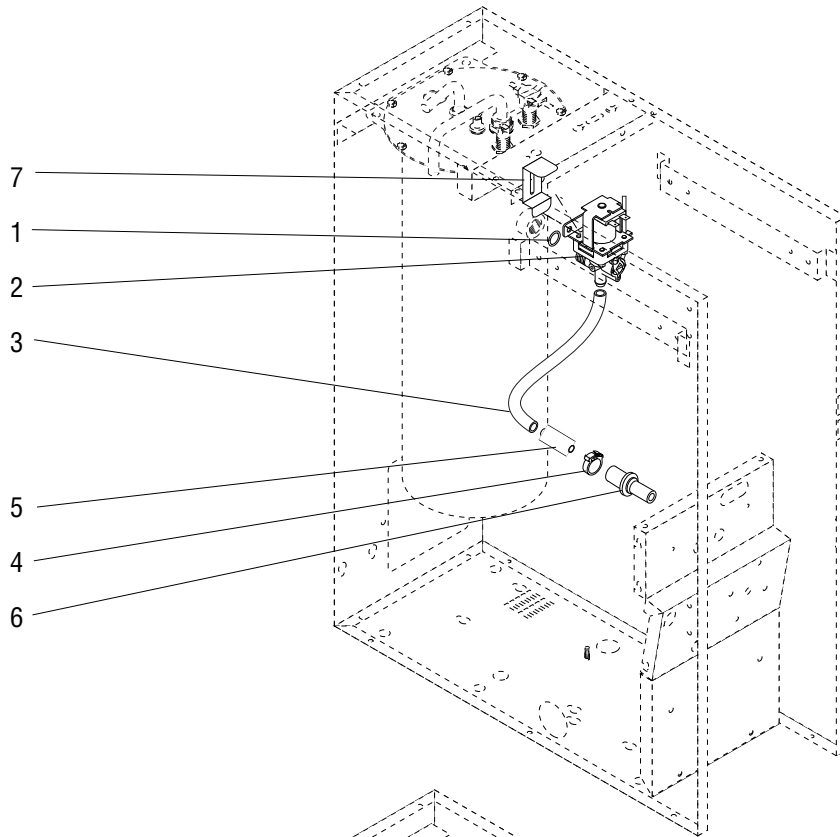
ITEM	PART NO.	QTY.	DESCRIPTION
1	28971.0000	1	Lid, Tank
	00908.0000	8	Nut, Hex #8 - 32
2	04221.0000	1	Gasket, Tank Lid
3	00943.0000	2	Gasket, Tank Heater
4	02534.1000	1	Tank Heater Kit, 1700W 120V (Includes item 3)
5	02515.0001	1	Tank (FMD-1)
	02515.0002	1	Tank (FMD-2)
	01311.0000	4	Screw, Truss Head #8 - 32 x .375"
6	00942.0000	2	Nut, Hex .50" - 20
7	02536.0000	2	Grommet, .375" I.D.
8	26665.1000	1	Probe Kit (Includes items 9, 10 & 11)
9	00908.0000	1	Nut, Hex #8 - 32
10	20203.0100	1	Lockwasher, Internal Tooth #8
11	01501.0000	1	Washer, Flat .16" I.D. x .375" O.D.
12	28973.0000	1	Tube Assy, Overflow
	00957.0000	1	Nut, Hex .750"-16
13	01201.0000	1	Gasket
14	29329.1000	1	Thermostat, Limit
15	-----	1	Tube, Silicone .312" I.D. x .438" O.D. x 21.5" LG (Order item 17)
16	21801.0002	1	Tube, .375" O.D. x 1.50"
17	28526.1001	-	Tube, Silicone .312" I.D. x .438" O.D. x 36"
	28526.1002	-	Tube, Silicone .312" I.D. x .438" O.D. x 60"
	28526.1003	-	Tube, Silicone .312" I.D. x .438" O.D. x 120"

} Not Illustrated

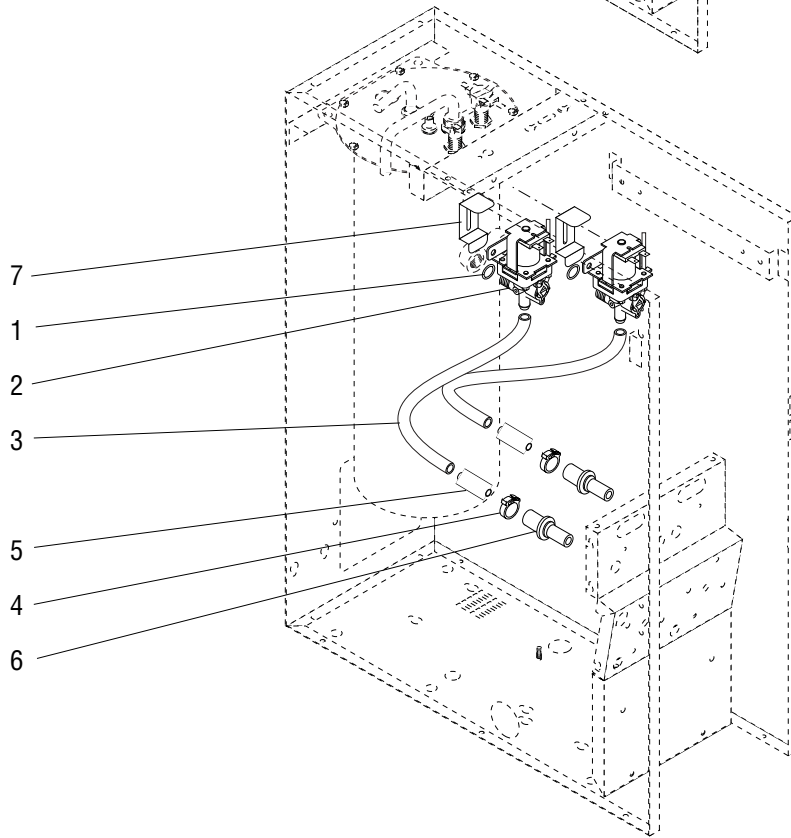


FILL VALVE AND LINES

ITEM	PART NO.	QTY.	DESCRIPTION	
1	28298.0000	1	Tube, Tank Fill	
2	02536.0000	1	Grommet, .375" I.D.	
3	12422.0001	1	Clamp, Hose .59"/.66" I.D.	
4	-----	1	Tube, Silicone .312" I.D. x .438" O.D. x 24.0" (Order item 16)	
5	26135.0001	1	Valve Assy, Solenoid 120V (Serviced only as an assembly)(See Item 17)	
	02322.0002	2	Screw, Truss Head #8-32 x .375" BLK	
	00938.0000	2	Fastener, U-Type #8-32	
6	26661.0000	1	Tube Assy, Water Inlet	
7	00463.0000	1	Nut, Hex .438" - 20	
8	01532.0000	1	Lockwasher, Internal Tooth .438"	
9	00459.0000	1	Fitting, Bulkhead	
10	00620.0000	1	Clamp, Hose	
11	21814.0016	1	Tube Assy, Strainer To Bulkhead Fitting	} FMD-2 Only
12	23820.1000	1	Water Strainer Assy (Includes items 13 thru 15)	
13	-----	1	Body (Not available. Order item 12)	
14	23721.0000	1	Screen	
15	22249.0000	1	End Cap	
16	28526.1001	-	Tube, Silicone .312" I.D. x .438" O.D. x 36"	} Not Illustrated
	28526.1002	-	Tube, Silicone .312" I.D. x .438" O.D. x 60"	
	28526.1003	-	Tube, Silicone .312" I.D. x .438" O.D. x 120"	
17	26131.0000	-	Kit, Nut/O-Ring (Includes nut, spacer, grab ring, washer & 2 O-Rings)	



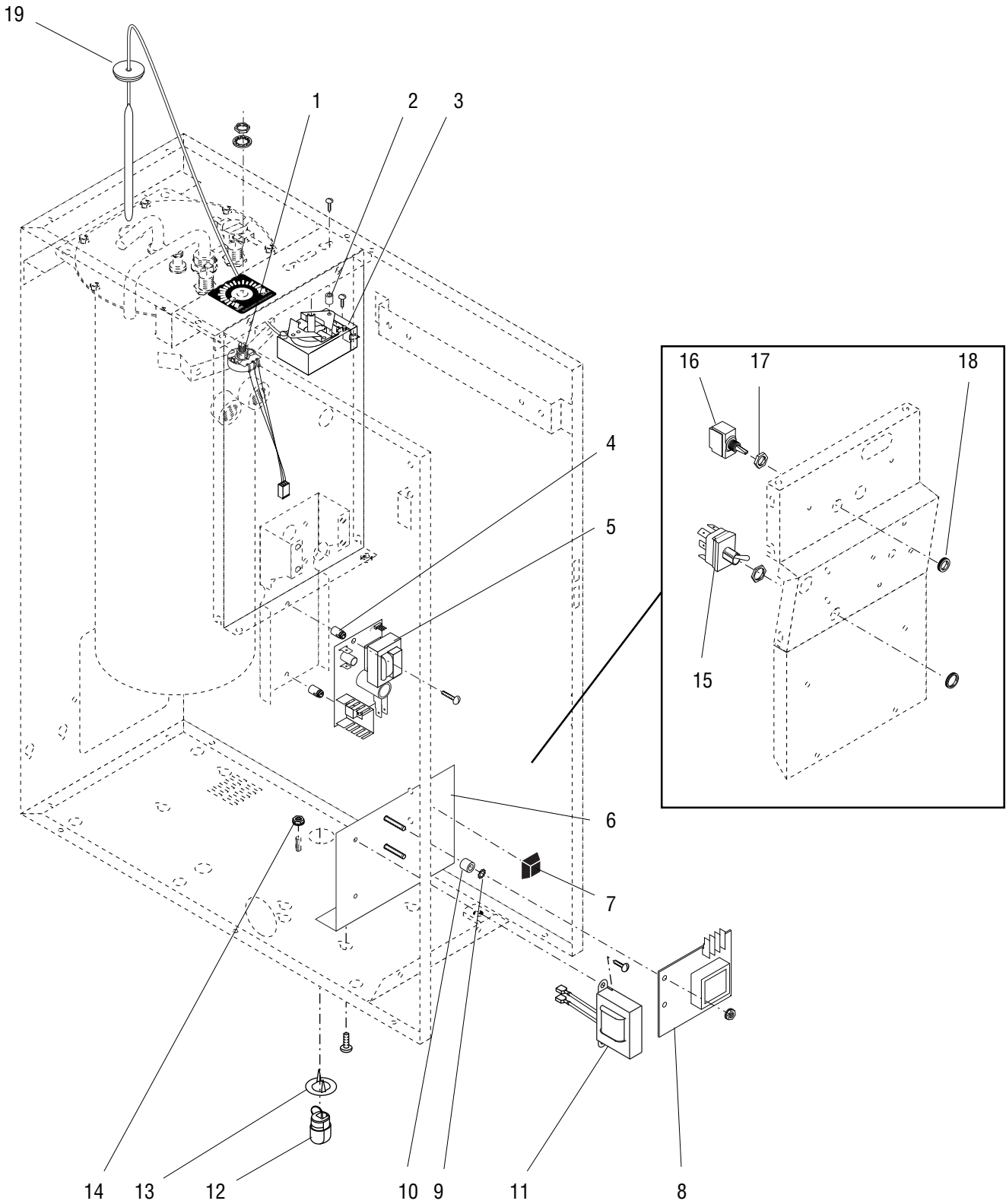
FMD-1



FMD-2

DISPENSE VALVE AND LINES

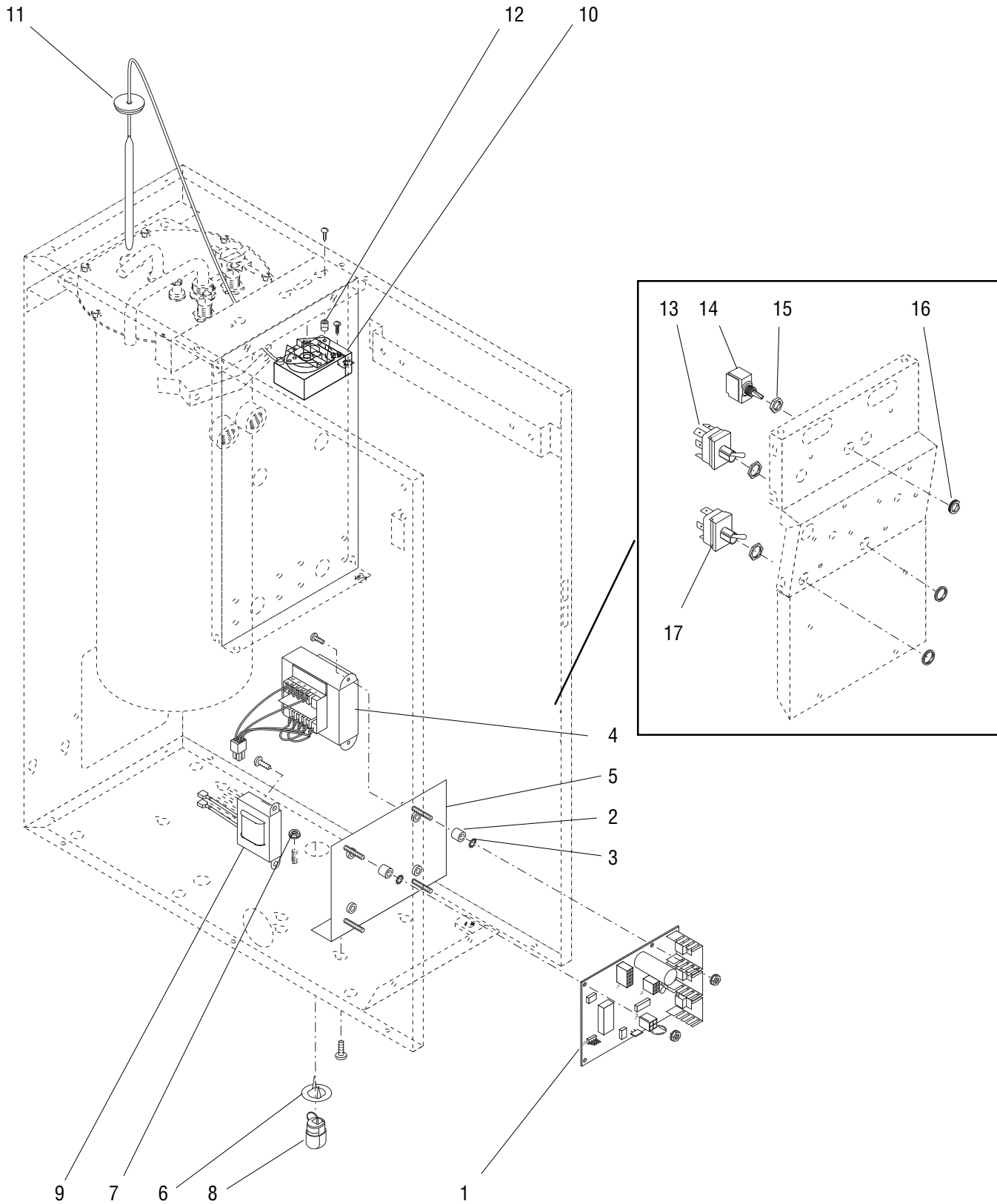
ITEM	PART NO.	QTY.	DESCRIPTION	
			*FMD-1	
			**FMD-2	
		* **		
1	24733.0011	1 2	O-Ring	
2	26116.0002	1 2	Valve, Liquid Dispense 120V (See item 9)	
	01326.0000	1 2	Screw, Truss Head #10 - 32 x .250" (Early Models)	
3	-----	1 2	Tube, Silicone .312" I.D. x .438" O.D. x 13.5" (Order item 8)	
4	12422.0001	1 2	Clamp, Hose .59"/.66" I.D.	
5	21801.0002	1 2	Tube, .375" O.D. x 1.50"	
6	25803.0000	1 2	Water Inlet, Mixing Chamber	
7	29576.0000	1 2	Bracket	
	00970.0000	1 2	Nut, Keps #8-32	
8	28526.1001	- -	Tube, Silicone .312" I.D. x .438" O.D. x 36"] Not Illustrated
	28526.1002	- -	Tube, Silicone .312" I.D. x .438" O.D. x 60"	
	28526.1003	- -	Tube, Silicone .312" I.D. x .438" O.D. x 120"	
9	28187.0000	- -	Kit, Dispense Valve Diaphragm	



ELECTRICAL CONTROLS - FMD-1

ITEM	PART NO.	QTY.	DESCRIPTION
1	29110.0000	1	Potentiometer Assembly (Includes nut & lockwasher)
2	01533.0003	2	Spacer, .140" I.D. x .250" O.D. x .312" LG
3	-----	1	Thermostat Assembly 120V (Not Available. Order Item 23)
	02367.0002	2	Screw, Pan Head #6-32 x .625" (Mounting)
	20762.0000	2	Screw, Binding Head #8-32 x .25" (Terminal)
4	29081.0000	2	Spacer
5	29061.1000	1	PCB Assembly, Speed Control
	01338.0000	2	Screw, Truss Head #8-32 x .625"
6	28986.0000	1	Bracket, Component Mounting
	01311.0001	2	Screw, Truss Head - Locking #8-32 x .25"
7	02547.0000	1	Foot, Rubber
8	07074.1000	1	Control Board, Level - 120V 5 SEC
	00970.0000	2	Nut, Keps #8 - 32
9	01511.0000	2	Lockwasher, External Tooth #8
10	00450.0000	2	Spacer, .219" I.D. x .34" LG - Brass
11	28327.0000	1	Ballast, 120V-60HZ W/Terminals
	02308.0000	2	Screw, Pan Head - Serrated #8-32 x .375"
12	00713.0000	1	Bushing, Strain Relief
13	00715.0000	1	Adapter Washer, Strain Relief
14	00970.0000	1	Nut, Keps #8-32 - Power Cord Ground
15	02686.0000	1	Switch, Toggle ON/OFF (Includes mounting nuts)
16	23522.0000	1	Switch, Toggle ON/OFF-Tank Heater (Includes item 17, also order item 18)
17	23696.0000	1	Nut, Hex .469" - 32
18	23697.0000	1	Nut, Plastic Face .469" - 32
19	07073.0000	1	Grommet
20	20630.0008	1	Cord Assembly, Power 120V
21	28989.0000	1	Wiring Harness, Control - 120V
22	-----	1	Wiring Harness, Door (See Door, Lamps and Panels)
23	28239.0000	-	Thermostat Kit

} Not Illustrated



ELECTRICAL CONTROLS - FMD-2

ITEM	PART NO.	QTY.	DESCRIPTION
1	28855.1000	1	Control Board, 120V
	00970.0000	4	Nut, Keps #8-32
2	00450.0000	4	Spacer, .219" I.D. x .34" LG - Brass
3	01510.0000	4	Lockwasher, External Tooth #6
4	29124.0000	1	Transformer Assy, 25VA
	00973.0000	2	Nut, Keps #6-32 (Early models)
	01311.0001	2	Screw, Truss Head - Locking #8-32 x .25" (Late models)
5	29018.0000	1	Bracket, Component Mounting
	01311.0001	2	Screw, Truss Head - Locking #8-32 x .25"
6	00715.0000	1	Adapter Washer, Strain Relief
7	00970.0000	1	Nut, Keps #8-32 - Power Cord Ground
8	00713.0000	1	Bushing, Strain Relief
9	28327.0000	1	Ballast, 120V-60HZ W/Terminals
	02308.0000	2	Screw, Pan Head - Serrated #8-32 x .375"
10	-----	1	Thermostat Assembly 120V - Mechanical (Not Available. Order Item 22)
	02367.0002	2	Screw, Truss Head #6-32 x .625" (Mounting)
	20762.0000	2	Screw, Binding Head #8-32 x .25" (Terminal)
11	07073.0000	1	Grommet
12	01533.0003	2	Spacer, .140" I.D. x .250" O.D. x .312" LG
13	28857.0000	1	Switch, Toggle RUN/RINSE/PROGRAM (Includes mounting nut, also order item 16)
14	23522.0000	1	Switch, Toggle ON/OFF-Tank Heater (Includes item 15, also order item 16)
15	23696.0000	1	Nut, Hex .469" - 32
16	23697.0000	1	Nut, Plastic Face .469" - 32
17	29122.0000	1	Switch, Toggle - INCREASE/DECREASE
18	20630.0008	1	Cord Assembly, Power 120V
19	28548.0000	1	Wiring Harness, Control - 120V
20	-----	1	Wiring Harness, Door (See Door, Lamps and Panels)
21	28862.0000	1	Lead Assembly, Jumper (Dispensers W/Out Cold Water Valve)
22	28239.0000	-	Thermostat Kit

} Not Illustrated

NUMERICAL INDEX

PART NO.	PAGE NO.	PART NO.	PAGE NO.	PART NO.	PAGE NO.	PART NO.	PAGE NO.
00450.0000	23,25	20960.0000	13	26680.0000	11	28946.0001	13
00459.0000	19	21355.0001	13	26892.0000	9	28952.0001	5
00463.0000	19	21357.0000	11,13	26940.0002	13	28954.0001	5
00619.0009	11,13	21358.0000	11,13	26940.0003	11	28962.0000	9
00620.0000	19	21365.0000	13	27096.0000	7	28963.0000	9
00656.0000	7	21436.0000	7	27298.0000	9	28964.0000	9
00713.0000	23,25	21747.0001	11	27619.0000	9	28964.0001	9
00715.0000	23,25	21801.0002	17,21	28061.0000	13	28966.0000	5
00831.0000	7	21814.0016	19	28067.0000	13	28971.0000	17
00908.0000	17	22249.0000	19	28187.0000	21	28973.0000	17
00938.0000	19	23164.0002	5	28239.0000	23,25	28986.0000	23
00942.0000	17	23279.0000	9	28295.0000	15	28989.0000	23
00943.0000	17	23522.0000	23,25	28296.0000	9	28990.0000	9
00957.0000	17	23696.0000	23,25	28297.0000	15	29014.1000	11
00970.0000	9,21,23,25	23697.0000	23,25	28298.0000	19	29018.0000	25
00973.0000	25	23721.0000	19	28322.0000	9	29027.0000	5
00991.0000	5	23820.1000	19	28325.0000	9	29027.0001	5
00991.0002	13	24733.0010	15	28327.0000	23,25	29061.1000	23
01201.0000	17	24733.0011	21	28328.0004	5	29081.0000	23
01311.0000	5,9,11,13,17	25292.0000	9	28328.0005	5	29096.0000	5
01311.0001	5,7,11	25732.0000	15	28335.0000	9	29096.0001	5
01311.0001	13,15,23,25	25733.0000	15	28336.0000	9	29106.0000	9
01311.0003	5	25734.0000	15	28366.1000	7	29106.0001	9
01326.0000	21	25736.0000	15	28366.1001	7,9	29110.0000	23
01338.0000	23	25743.0000	13	28366.1002	7,9	29119.0000	9
01501.0000	17	25744.0000	11	28368.0001	5	29122.0000	25
01510.0000	25	25794.0001	13	28424.1000	13	29124.0000	25
01511.0000	13,23	25794.0002	11	28424.1002	13	29161.0000	9
01522.0000	11	25803.0000	21	28425.0000	13	29161.0001	9
01532.0000	19	25891.0000	11	28428.0000	15	29172.0000	5
01533.0003	23,25	25892.0000	11	28526.1001	17,19,21	29173.0000	5
02308.0000	5,23,25	25902.0000	15	28526.1002	17,19,21	29173.0001	5
02322.0002	5,19	25903.0000	11,13	28526.1003	17,19,21	29174.0000	5
02328.0002	9	26112.0000	11	28548.0000	25	29174.0001	5
02336.0000	15	26112.0001	13	28679.0000	11	29175.0000	9
02367.0002	23,25	26116.0002	21	28698.0000	11	29175.0001	9
02434.1000	15	26131.0000	19	28712.0000	13	29176.0000	9
02515.0001	17	26135.0001	19	28833.0000	9	29176.0001	9
02515.0002	17	26239.0000	9	28833.0001	9	29178.0000	15
02534.1000	17	26247.0000	11,13	28855.1000	25	29178.0001	15
02536.0000	17,19	26356.0000	15	28857.0000	25	29329.1000	17
02547.0000	23	26401.0000	11,13	28862.0000	25	29575.0000	11,13
02571.0000	5	26435.0000	13	28864.0000	15	29576.0000	21
02686.0000	23	26435.0001	13	28865.0000	15	29642.1000	11
03996.0000	5	26436.0000	13	28866.0000	15	29642.1001	13
04221.0000	17	26441.0000	13	28867.0000	15	29934.1000	13
07073.0000	23,25	26444.0000	9	28872.0000	7	32306.0000	15
07074.1000	23	26449.0000	13	28910.0000	7	32337.0000	13
11685.0000	13	26523.0000	5	28937.0000	5	32383.0000	13
12422.0001	19,21	26524.0000	5	28937.0001	5	32386.0000	13
12517.0001	9	26528.0000	5	28939.0000	5	32386.0001	13
13255.0003	7	26537.0000	9	28939.0001	5	32906.0000	15
20203.0100	17	26537.0001	9	28941.0001	5	34130.0000	9
20377.0000	11	26537.0003	9	28942.0000	11		
20630.0008	23,25	26661.0000	19	28945.0000	13		
20762.0000	23,25	26665.1000	17	28946.0000	11		