



MISC TECHNICAL INSTRUCTIONS

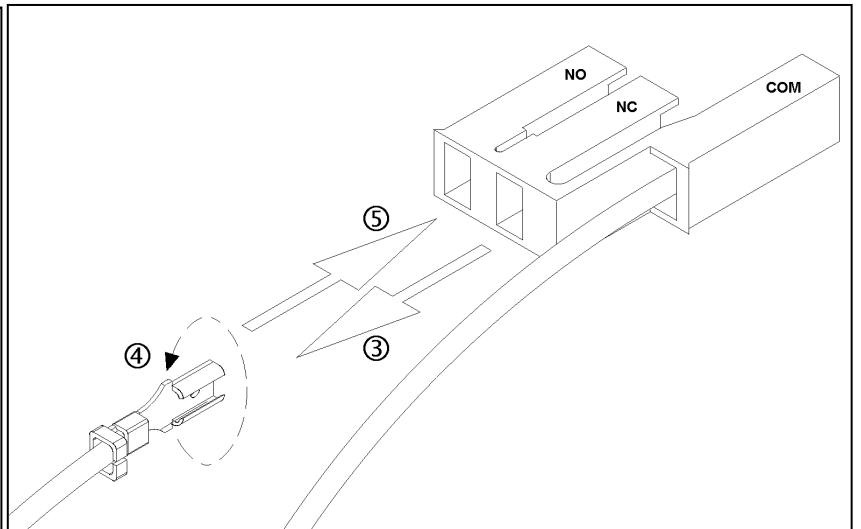
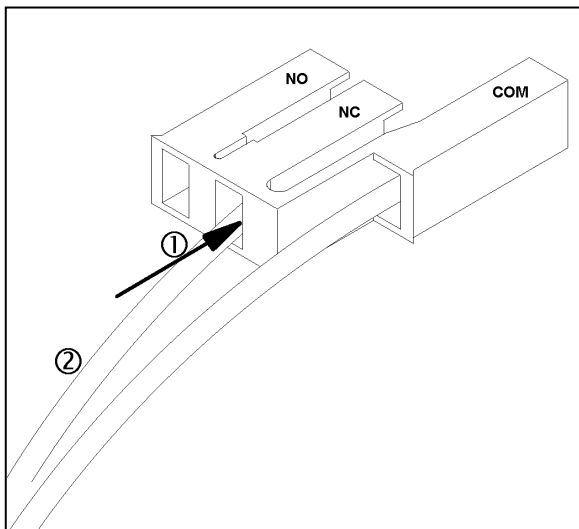
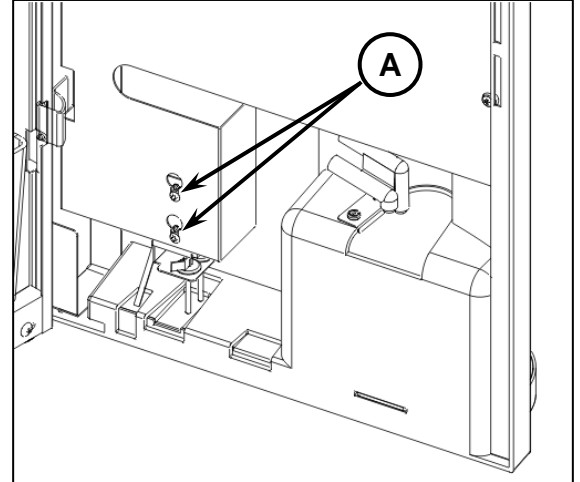
- Cup Stand Switch Wiring;
- Whipper Vacuum Kit Installation;
- Packet System Disabling;
- Overflow Upgrade Instructions;
- Waste Chute Modification

CAFFÈ MIO CUP STAND SENSOR SWITCH WIRING MODIFICATION

This modification is required if a Caffè Mio board/software is going to be installed into a first generation Caffè Mio model (referred to as a Mini 3 or Mini Chocolate). If this modification is not made, the machine will display the “EMPTY OR INSTALL CUP TRAY” error when the cup tray is installed (this is the opposite of what it should do).

Follow these simple instruction to make the necessary modification.

1. Loosen the two screws securing the overflow probes/cup stand sensor switch bracket to the door (reference **A**).
2. Remove the bracket.
3. Disconnect the wiring receptacle from the cup stand sensor switch.
4. Change the position of one of the wires in the 3-pin receptacle, as outlined in the procedure below.



- ① Insert a small flat screwdriver (a nail will also work) into the receptacle – between the wire and receptacle wall. Release the clip securing the terminal in place.
- ② While releasing the clip, pull on the wire to remove the terminal from the receptacle.
- ③ Remove the terminal from the ‘NC’ position of the receptacle.
- ④ Rotate the terminal 180°. If this is not done, the terminal will not lock inside the receptacle.
- ⑤ Insert the terminal into the ‘NO’ position of the receptacle, until it locks in place.

CAFFÈ MIO WHIPPER VACUUM KIT (A310366) INSTALLATION

The Whipper Vacuum Kit includes the following:

1 x K021386C4 - Whipper Plate	1 x M034046 - Vacuum Duct
1 x K021390C4 - Vacuum Duct Plate	2 x T008421 - Lockwasher #8
1 x L311028C4 - Whipper Cover	1 x T019087 - Metal Clamp
1 x M014043 - Funnel Hose Spout	5 x T019534 - Lock Nut 8-32
1 x M019189 - Wire Clip	11 x T620541 - Screw, 6-32 x 5/16
1 x M019559 - .250 Stud Mount Terminal	1 x E210293 - Chocolate Hose Assembly
1 x M024036 - Vacuum Funnel	1 x M019086 - Dispenser Chute
1 x M029071 - Whipper Chamber	1 x K021290 - Powder Dispenser Stop Plate
1 x M029101 - Vacuum Tube	

1. Remove the complete whipper assembly from the machine.

- Disconnect all the hoses from the assembly.
- Disconnect the wires going to the assembly.

2. Remove the whipper components and the motor from the old housing.

- Remove the whipper funnel ① from the whipper chamber.
- Remove the whipper chamber ② from the whipper base.
- Remove the whipper blade ③ from the whipper motor shaft.
- Remove the two screws that secure the whipper base to the housing, and remove the base ④.
- Disconnect the two wires from the whipper motor.
- Using an 11/32" nut driver, remove the two hex nuts that secure the whipper motor to the housing.
- Remove the whipper motor ⑤ from the housing.

3. Remove the transformer ⑥ from the old housing.

- Using an 11/32" nut driver, remove the two hex nuts that secure the transformer to the housing.
- Remove the transformer from the housing.

4. Remove the black plastic clip and the .250 stud mounted terminal ⑦ from the old housing.

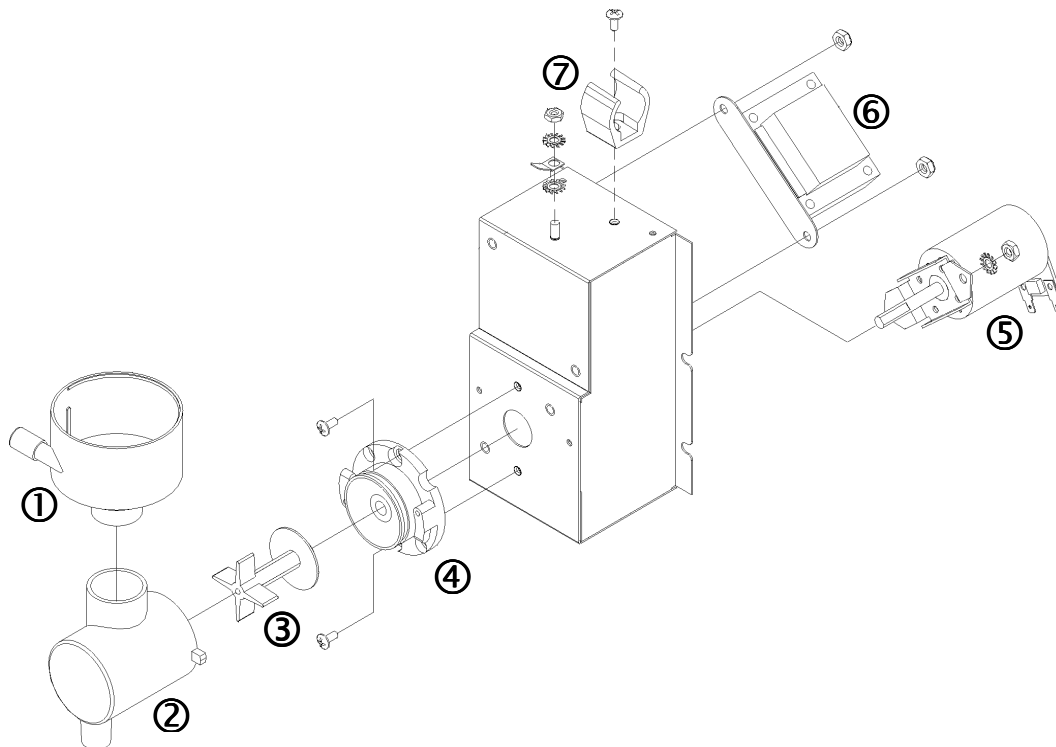


Figure 1 - Remove Components from the Old Whipper Motor Housing

CAFFÈ MIO WHIPPER VACUUM KIT (A310366) INSTALLATION

Please consult the illustration (figure 3) on page 4 for all references to component installation.

5. Install the transformer into the new housing. 1
 - a) Align the transformer over the two weld studs inside the new housing.
 - b) Secure it in place with the two hex nuts removed in step 3a.
6. Install the black plastic clip onto the top of the housing with a screw. 2
7. Install the .250 stud mounted ground terminal onto the weld stud located on the inside of the new housing (at the top). 3
8. Pass the power wires through the hole on the right side of the housing and make the necessary connections to the transformer and the ground stud
9. Install the new housing into the machine.
 - a) Install three screws onto the whipper housing plate in front of the water tank. Insert them only about halfway. **Do not tighten them at this point.**
 - b) Slide the new whipper housing over these screws (housing is equipped with keyhole slots) and drop it into position.
 - c) Tighten the three screws to secure the housing in place.
10. Install the whipper components onto the front plate of the new housing.
 - a) Align the whipper motor over the two weld studs inside the front plate.
 - b) Secure it in place with the two hex nuts removed in step 2f. 4
 - c) Install the whipper base over the whipper motor shaft and onto the outside of the front plate.
 - d) Secure it in place using the two screws removed in step 2d. 5
 - e) Install the whipper blade onto the whipper motor shaft. 6
 - f) Install the whipper chamber onto the whipper base. 7
 - g) Install the new wire clip onto the front plate by pushing it into the slot provided. 8
11. Install the front plate onto the new housing.
 - a) Install four screws provided onto the front of the whipper housing. Insert them only about halfway. **Do not tighten them at this point.**
 - b) Bring the plate close to the housing, leaving an accessible space between the two. Connect the output wires from the transformer to the whipper motor terminals.
 - c) Slide the front plate over these screws (plate is equipped with keyhole slots) and drop it into position.
 - d) Tighten the four screws to secure the plate in place.
12. Lift the canopy on top of the machine and remove the lids from both of the dispensers.
13. Remove the metal plate on the top of the machine (plate that surrounds the dispensers).
 - a) Remove the two screws that secure the plate to the top of the machine.
14. Remove the two ingredient dispensers.
 - a) Remove the screw securing each dispenser to the front of the dispenser base.
 - b) Pull each dispenser forward to unlatch rear of the dispenser from the base and the motor coupling.
 - c) Lift each dispenser out through the top of the machine. This applies for both dispensers.

CAFFÈ MIO WHIPPER VACUUM KIT (A310366) INSTALLATION

15. Install the duct plate onto the rear exhaust fan.

- Remove the **two lower screws** that secure the fan to the rear panel of the machine. **Do not remove the two upper screws.**
- Position the duct plate over the lower portion of the exhaust fan (*figure 2*).
- Pass the two screws through the duct plate, then through the fan to secure both to the rear panel of the machine.

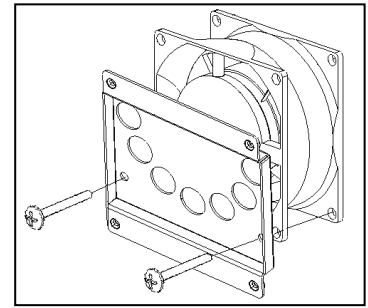


Figure 2 – Duct plate position on exhaust fan.

16. Install the vacuum funnel onto the duct plate. 9

- Align the funnel over the duct plate.
- Secure the funnel to the duct plate with the 4 screws provided.

NOTE: Be careful not to pinch the wiring between the vacuum funnel and the duct plate. The wiring should be passed above or below the duct plate.

17. Connect the black vacuum tube to the funnel using the metal clamp provided. 10

18. Replace the stop plate on the powder dispenser. 11

- Remove the two screws securing the stop plate onto the dispenser assembly.
- Remove the old stop plate.
- Install the new stop plate by securing it in place with the screws previously removed.

19. Re-install the powder dispenser onto the dispenser base.

- Lower the dispenser onto the base from the top of the machine, making certain the vacuum tube is to the left of the dispenser.
- Align the dispenser coupling with the dispenser motor coupling.
- Lock the rear of the dispenser into the notch on the base and slide it back towards the motor.
- Secure the dispenser onto the front of the base with the screw removed earlier.

20. Re-install the coffee dispenser onto the dispenser base.

- Lower the dispenser onto the base from the top of the machine, making certain the vacuum tube is between the two dispensers.
- Align the dispenser coupling with the dispenser motor coupling.
- Lock the rear of the dispenser into the notch on the base and slide it back towards the motor.
- Secure the dispenser onto the front of the base with the screw removed earlier.

21. Replace the spouts on the dispensers with the new ones provided in this kit.

22. Connect the other end of the black vacuum tube to the vacuum funnel spout on the whipper. 12

- Pass the vacuum tube through the top of the supplied bracket, and bend it back through the side of the bracket.
- Slide the vacuum funnel spout through the hole on the left wall of the whipper motor housing – from the inside towards the outside – and hold it in place.
- Slide the end of the vacuum tube over the vacuum funnel spout (as far as it will go) and install the vacuum tube bracket onto the new powder dispenser stop plate.

23. Install the whipper funnel onto the whipper chamber, and connect the water hose to it. 13

CAFFÈ MIO WHIPPER VACUUM KIT (A310366) INSTALLATION

24. Install the new vacuum funnel onto the whipper chamber making certain notch on the vacuum funnel slides over the vacuum funnel spout. **14**

25. Remove the door tube assembly, and install the new one provided.

a) All the parts on the new door tube assembly have been changed therefore it must be replaced.

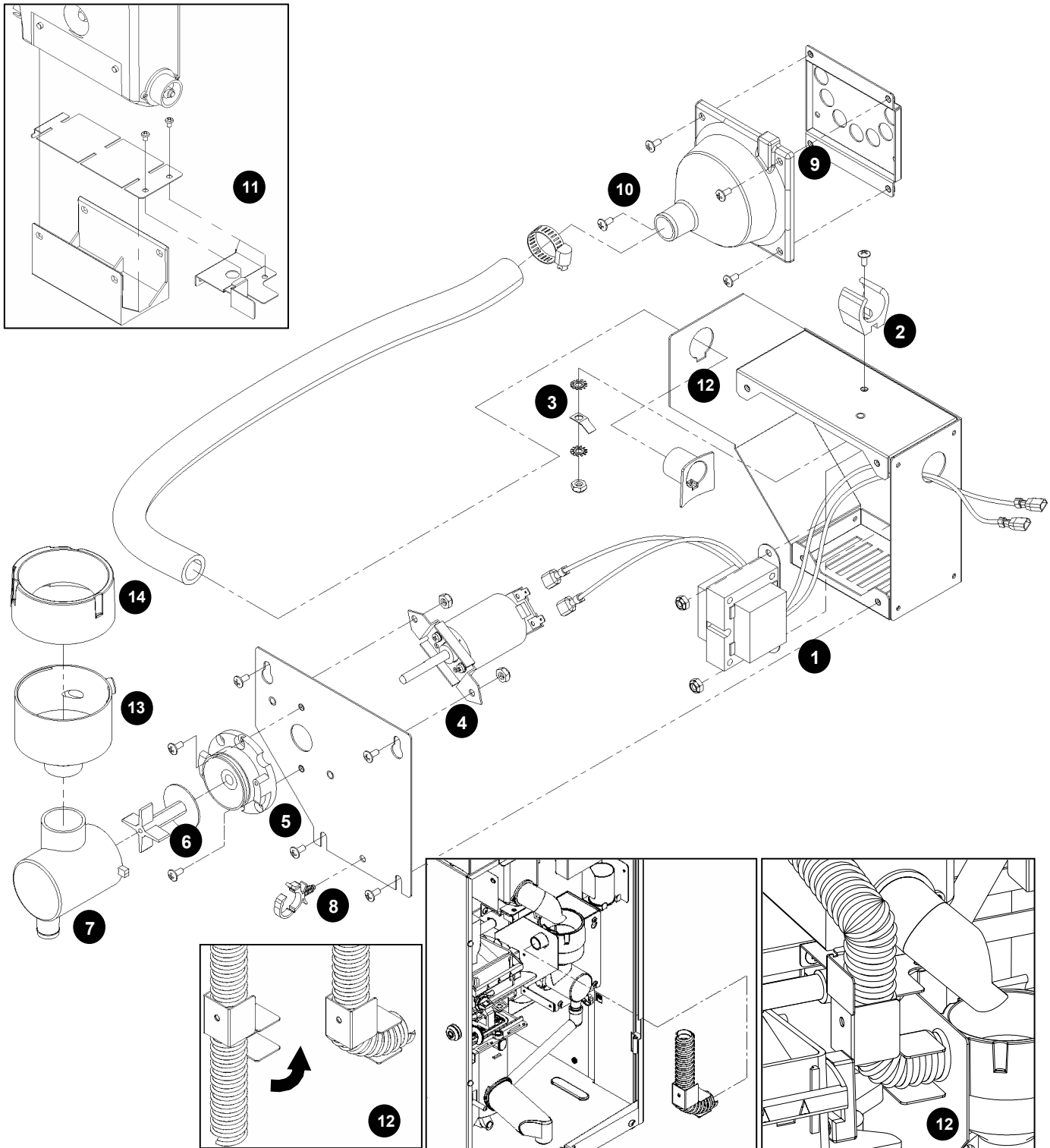
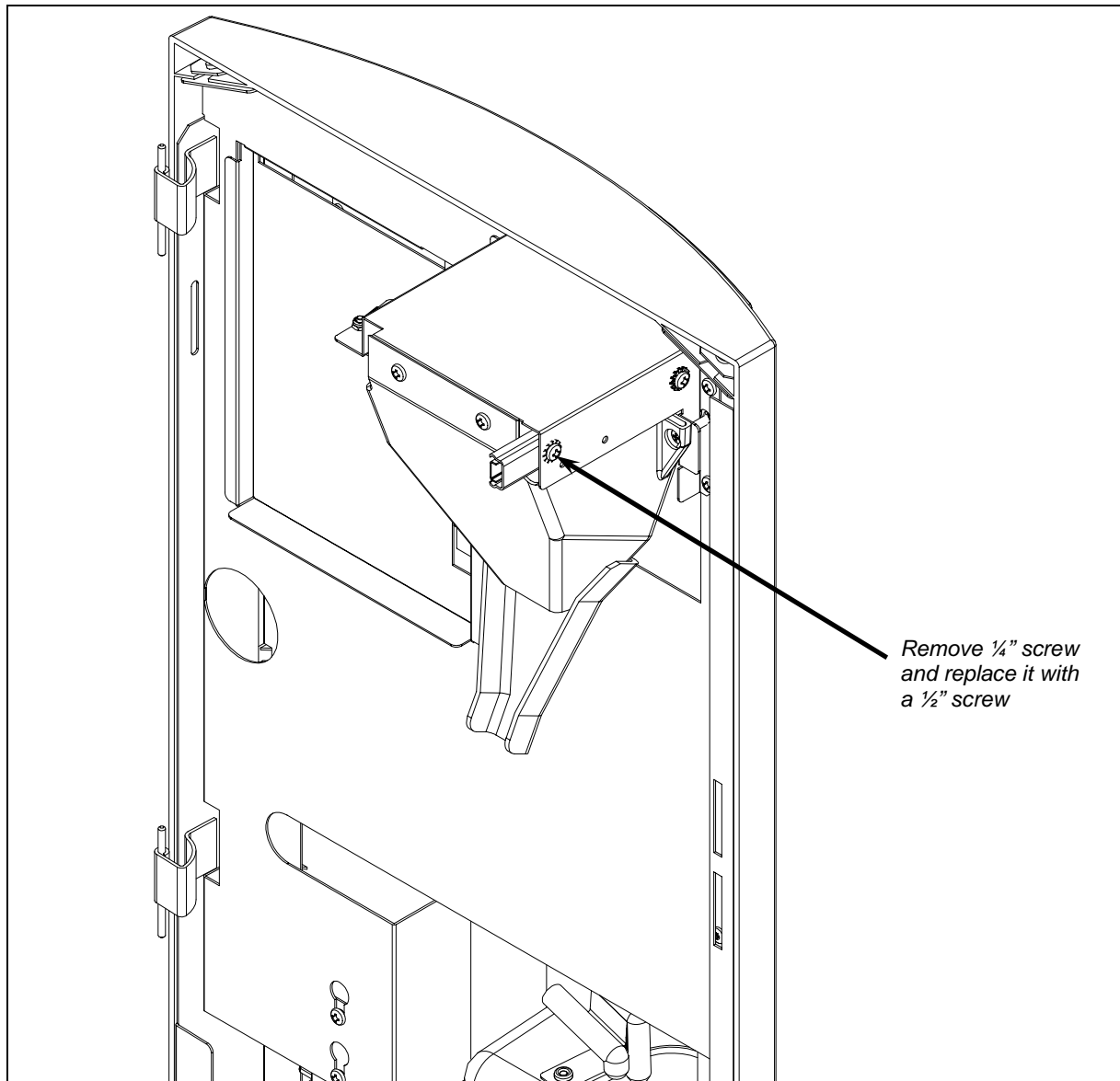


Figure 3 – Install the Components that were removed from the old housing onto the new whipper motor housing.

DISABLING THE PACKET SYSTEM – CAFFÈ MIO



1. Close the packet drawer.
2. Open the front door of the machine.
3. Remove the 1/4" screw on the packet guide.
4. Replace the 1/4" screw with a 1/2" screw (VKI p/n – T820841). This longer screw will go through the guide **and** the track, locking the packet drawer closed.
5. If the packet door is locked and will not be used, disable the packet selection button in the "SET-UP" mode (in the "ENABLE SWITCHES" menu).
6. Remove the "PACKET" decal from the "PACKET" selection button and remove the "PACKET INSTRUCTION" decal from the front of the packet drawer.
7. Keep a record of the modifications that were made to this particular unit in case the packet system needs to be re-enabled in the future.

VKI
TECHNOLOGIES INC.

Caffè Mio

Overflow Upgrade Kit Installation Instructions



CAFFÈ MIO OVERFLOW UPGRADE KIT INSTALLATION INSTRUCTIONS

This kit is designed to upgrade the overflow sensors on existing Mini Chocolate and Mini 3 equipment to the latest standards, with the addition of a water tank overflow cup. The upgrade kit (*p/n – A310329*) contains the following items:

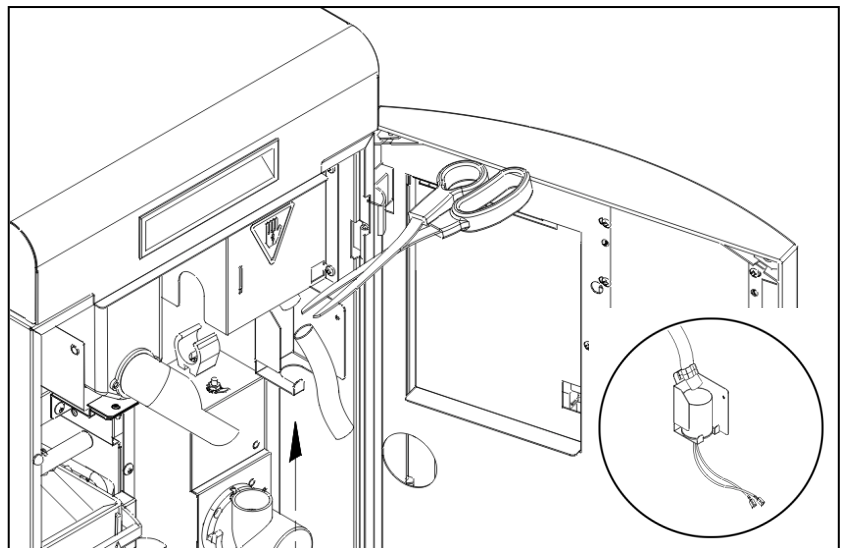
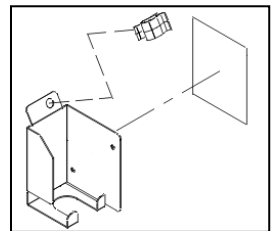
- One EPROM with updated software (*G110094*)
- Overflow cup support bracket (*K021291C2*)
- Overflow cup assembly (*G210022*)
- High strength adhesive tape (*already installed on the overflow cup assembly*)
- Hose clip (*M019338*)
- Wiring Harness (*G410250*)
- Instruction Manual (*N016446*)

REPOSITION THE WATER TANK OVERFLOW HOSE

1. Drain the water tank.
2. Remove the water tank cover on top of the machine.
3. Remove the valve cover in front of the water tank.
4. Lift the water tank about 2" to gain access to the overflow hose at the rear of the tank.
5. Pass the overflow hose along the right side of the water tank (between the tank body and the machine wall) to the front of the machine (valve area).
6. Replace the water tank into its original position.
7. Replace water tank cover.
8. Replace the valve cover, making certain the overflow hose hangs below the valve cover.

INSTALL THE OVERFLOW CUP ASSEMBLY

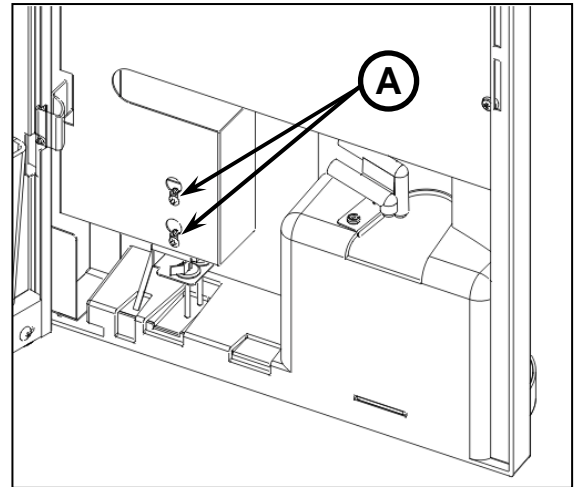
1. Thoroughly clean and dry the surface of the right wall inside the machine (between the valve cover and whipper area).
2. Add the hose clip (*provided*) to the overflow cup support bracket.
3. Remove the backing from the adhesive tape on the right side of the overflow cup support bracket.
4. Install the overflow cup support bracket to the right wall of the machine (between the valve cover and whipper housing). Apply pressure to the bracket so that it adheres firmly to the wall.
5. Pass the tank overflow tube through the hose clip installed on the overflow cup support bracket.
6. Leaving about 1" of hose after the hose clip, remove any extra hose by cutting it.
7. Install the overflow cup into the support bracket. The end of the hose **must not** be inside the cup.



CAFFÈ MIO OVERFLOW UPGRADE KIT INSTALLATION INSTRUCTIONS

REMOVE EXISTING DOOR HARNESS

1. Remove the front board access panel on the inside of the front door.
2. Disconnect the ground wire (green) from the door.
3. Disconnect the phone cable from the front circuit board **and** rear circuit board.
4. Disconnect the 3-pin connector from the packet switch.
5. Loosen the two screws securing the overflow probes/cup stand sensor switch bracket to the door (*reference A*).
6. Remove the bracket.
7. Disconnect the 3-pin connector from the cup stand sensor switch.
8. Disconnect the wires from the cup stand overflow probes.
9. Disconnect the wires from the whipper motor assembly.
10. Remove the harness from the clips on top of the whipper motor housing and on the side of the tank.
11. Disconnect the wires from the coffee and chocolate motors.
12. Disconnect the inline rear fan connector.
13. Disconnect the wires from the fuse box.
14. Disconnect the harness from the rear board.



INSTALL NEW DOOR HARNESS (SUPPLIED)

1. Connect the door harness to the rear board.
2. Make the following wiring connections inside the machine.

DOOR HARNESS WIRE #	CONNECT TO:
#12-3	Fuse Box Wire #3-3
#10-2	Fuse Box Wire #2
#3 and #12-2	Coffee Motor
3-Pin Inline Connector	Rear Fan
#6 and #1-3	Chocolate Motor
#8 and #1-1	Whipper Motor
#13-2	Whipper Cover Ground Stud
#13-1	Door Ground Stud
Two Thin Black Wires	Overflow Cup
Two Thin Blue Wires	Overflow Probes on Cup Stand
Phone Cable	Rear Board and Front Board
3-Pin Switch Connector (<i>identified by yellow tape</i>)	Packet Door Switch
3-Pin Switch Connector	Cup Tray Sensor Switch

3. Secure the harness to the clips on the side of the tank and on top of the whipper motor housing.
4. Re-install the overflow probes/cup stand sensor switch bracket to the door.

NOTE: Do not re-install the front board access panel at this point.

CAFFÈ MIO OVERFLOW UPGRADE KIT INSTALLATION INSTRUCTIONS

DOWNLOADING SOFTWARE UPDATES

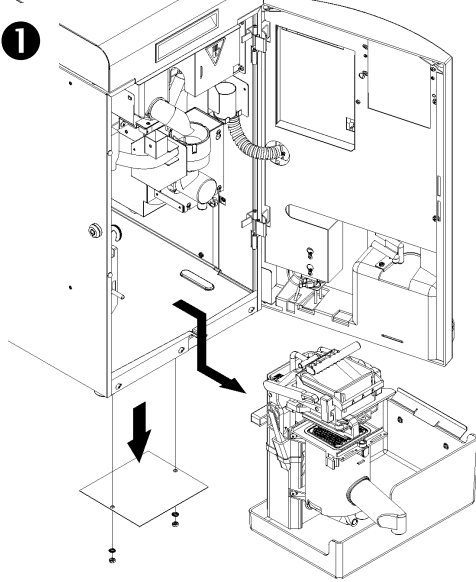
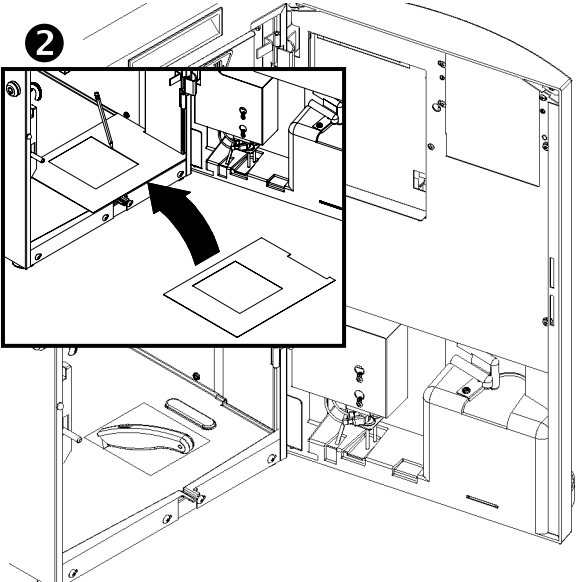
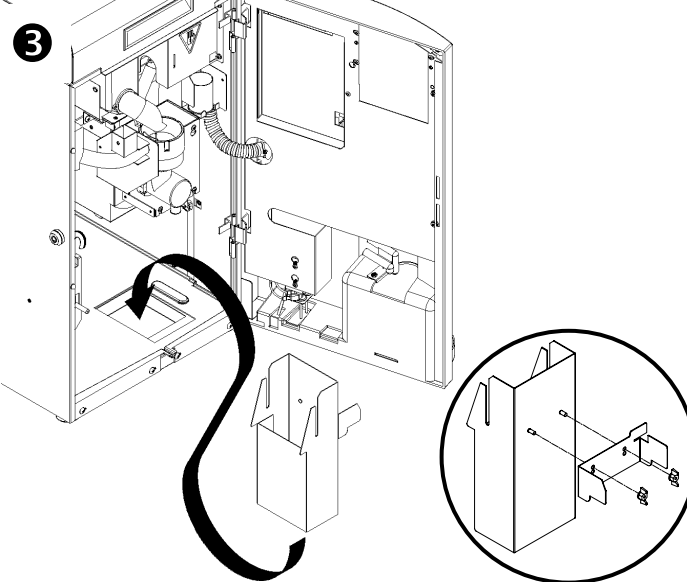
Equipment required:

- VKI Data Link Downloader (*p/n – A210214, sold separately*)
- Auxiliary Downloading Harness (*p/n - G310262, sold separately*)
- Eprom with Software Upgrade

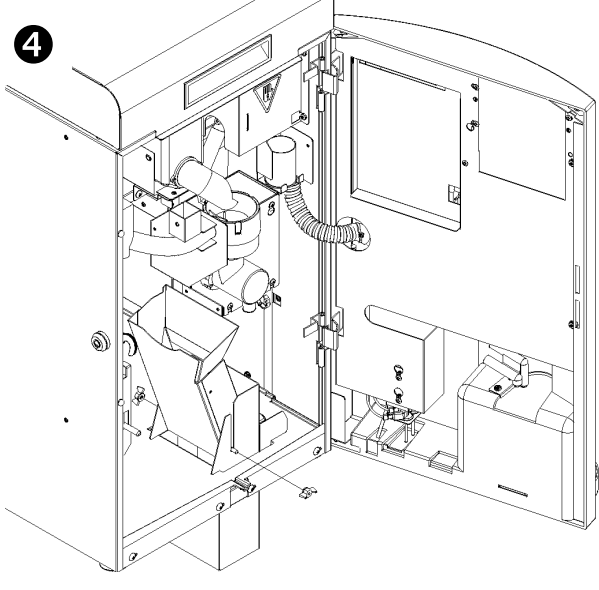
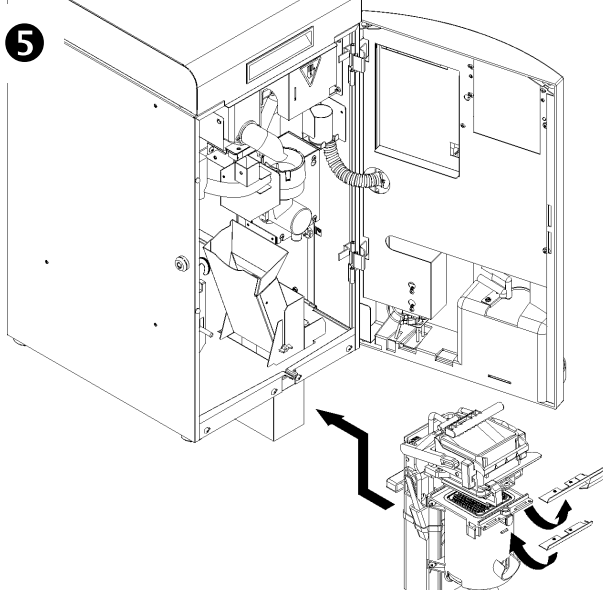
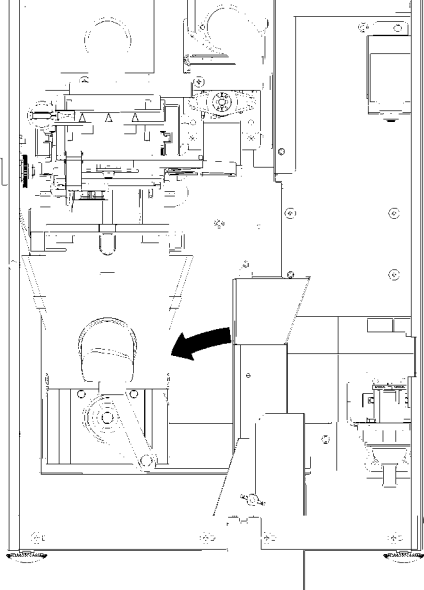
1. Insert the Eprom containing the updated software into the VKI Data Link Downloader.
2. Switch off the power to the machine.
3. Connect one end of the auxiliary harness to the rear board (Data Link connector), and the other end to the Data Link downloader. If an auxiliary harness is not available, any Vista NT download harness can be used instead.
4. Disconnect phone jack cable from front board.
5. Connect phone jack cable to the Data Link.
6. Switch on the power to the unit.
7. Press the “**START**” button on the Data Link to begin the downloading operation. Please note that the new factory settings must be downloaded as well.
8. Once the download is complete, re-install the front board access panel on the inside of the front door.

WASTE CHUTE INSTALLATION FOR CAFFÈ MIO

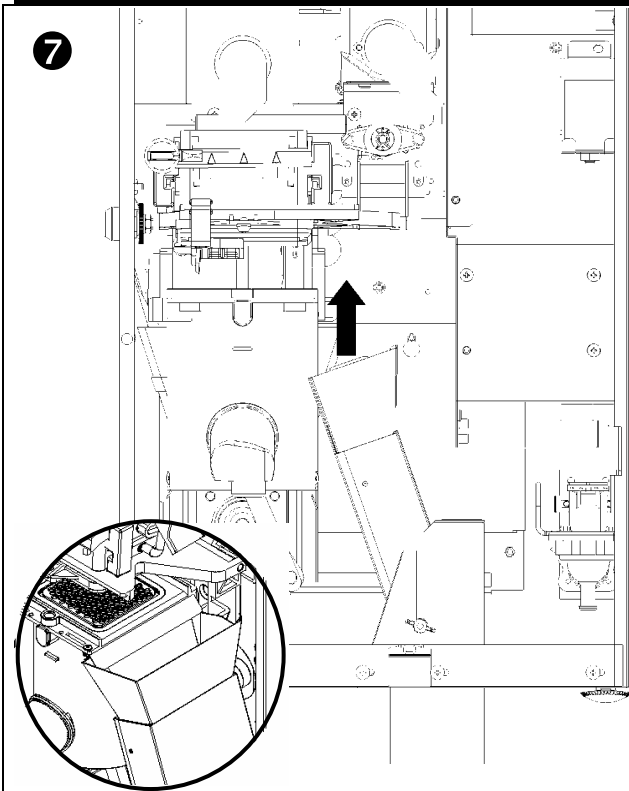
INSTALLATION DE LA CHUTE À DÉCHETS POUR LA CAFFÈ MIO

 <p>1</p>	 <p>2</p>	 <p>3</p>
<ol style="list-style-type: none"> 1. Remove the brewer. 2. Remove the waste container, which will no longer be required. 3. Remove the metal cover plate located under the machine base. <p>-----</p> <ol style="list-style-type: none"> 1. <i>Enlevez l'infuseur.</i> 2. <i>Enlevez le contenant à rebuts, qui ne sera plus nécessaire.</i> 3. <i>Enlevez le couvercle de métal situé sous la base de la machine.</i> 	<ol style="list-style-type: none"> 1. Cut out the paper template provided in this kit. (A metal template is available on request - p/n K011252.) 2. Align the template with the channel on the right wall of the machine, and mark the area on the base to be cut (inset). 3. Using a utility knife, cut along the marked area on the base to create an opening for the waste chute base. <p>-----</p> <ol style="list-style-type: none"> 1. <i>Coupez le gabarit de papier fourni dans cet ensemble. (Un gabarit de métal est disponible sur demande – p/n K011252)</i> 2. <i>Alignez le gabarit avec le conduit sur la paroi droite de la machine et marquez, sur la base, l'espace à être coupé (insertion).</i> 3. <i>À l'aide d'un couteau utilitaire, coupez la base autour de la section délimitée dans le but de créer une ouverture pour la base de la chute à déchets.</i> 	<p>NOTE: To properly install the waste chute base, the remaining steps must be done with the machine placed on top of a utility cabinet modified to accept a waste chute system.</p> <ol style="list-style-type: none"> 1. Install the stop plate (using the upper holes) onto the waste chute base as illustrated (inset). 2. Insert the waste chute base into the cutout that was just made. <p>-----</p> <p>NOTE: Pour installer convenablement la base de la chute à déchets, les étapes suivantes doivent être faites avec la machine placée sur un cabinet utilitaire modifié pour accepter un système de chute à déchets.</p> <ol style="list-style-type: none"> 1. <i>Installez la plaque d'arrêt (en utilisant les trous en haut) sur la base de la chute à déchets tel qu'illustré (insertion).</i> 2. <i>Insérez la base de la chute à déchets dans l'ouverture pratiquée.</i>

WASTE CHUTE INSTALLATION FOR CAFFÈ MIO INSTALLATION DE LA CHUTE À DÉCHETS POUR LA CAFFÈ MIO

 <p>4</p>	 <p>5</p>	 <p>6</p>
<ol style="list-style-type: none"> 1. Install the waste chute tower onto the waste chute base, making certain the threaded weld posts on the tower are inserted into the slots on the base. 2. Secure the tower inside the base by adding a wing nut to the front and rear threaded weld posts. Do not completely tighten the wing nuts at this point. <p>-----</p> <ol style="list-style-type: none"> 1. <i>Installez la tour de la chute à déchets sur la base, vous assurant que les tiges filetées sont insérées dans les fentes de la base.</i> 2. <i>Fixez la tour à l'intérieur de la base en utilisant un écrou à ailettes sur les deux tiges filetées. Ne pas serrer complètement les deux écrous à ailettes maintenant.</i> 	<ol style="list-style-type: none"> 1. Remove the existing deflector from the front of the Zuma brewer. 2. Install the new deflector provided. 3. Re-install the brewer into the machine. <p>-----</p> <ol style="list-style-type: none"> 1. <i>Enlevez le déflecteur existant à l'avant de l'infuseur zuma.</i> 2. <i>Installez le nouveau déflecteur fourni.</i> 3. <i>Ré-installez l'infuseur dans la machine.</i> 	<ol style="list-style-type: none"> 1. Tilt the waste chute tower towards the brewer until it is up against the brewer cylinder. <p>-----</p> <ol style="list-style-type: none"> 1. <i>Penchez la tour pour qu'elle s'appuie contre le cylindre de l'infuseur.</i>

WASTE CHUTE INSTALLATION FOR CAFFÈ MIO INSTALLATION DE LA CHUTE À DÉCHETS POUR LA CAFFÈ MIO

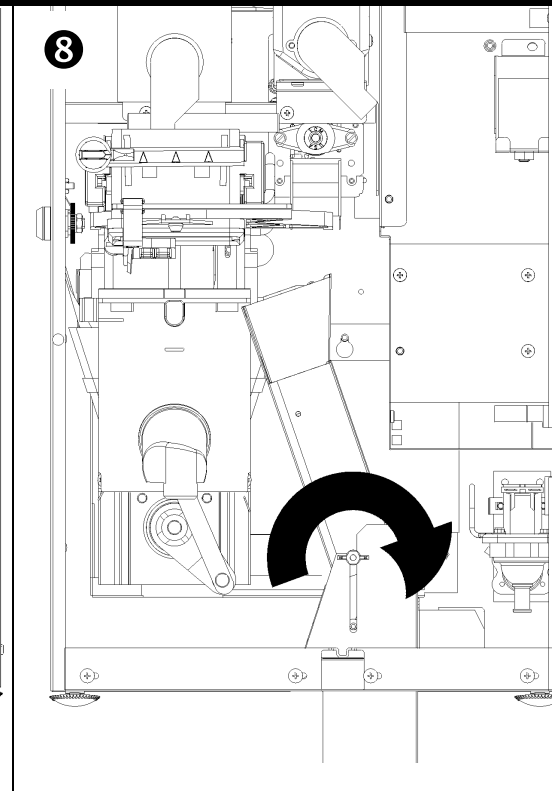


1. Raise the waste chute tower until it is positioned directly below the deflector on the right side of the brewer.

NOTE: The deflector must pass over the lip of the waste chute tower (inset).

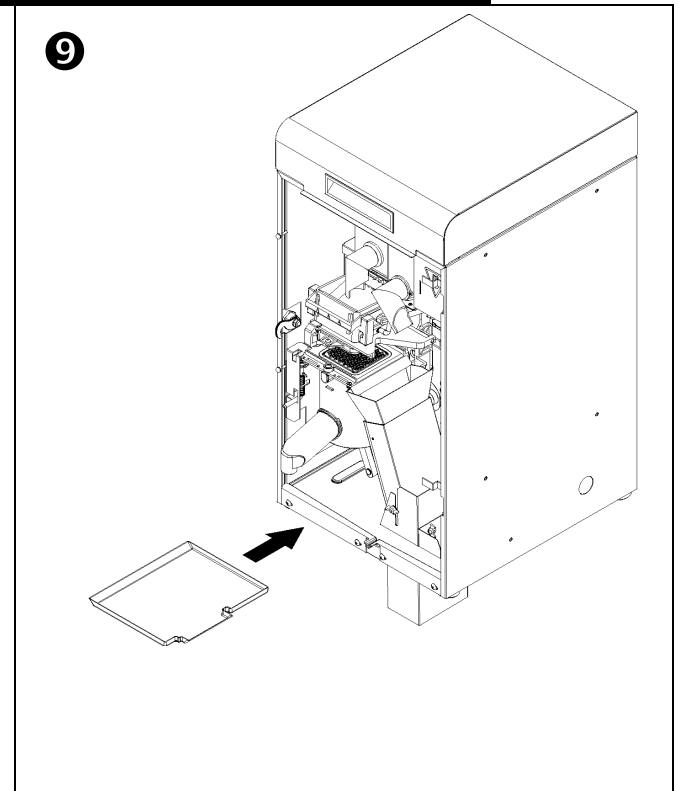
-
1. Soulevez la tour jusqu'à ce qu'elle soit positionnée directement sous le déflecteur sur le côté droit de l'infuseur.

NOTE: Le déflecteur doit passer par-dessus le rebord de la tour (insertion).



1. Tighten the wing nuts on the waste chute tower to secure the tower in place.

-
1. Serrez les écrous à ailettes sur la tour pour la fixer la tour en place.



1. Install the new drip tray (provided) directly below the brewer. **The machine's waste container is no longer required, however a plastic container (e.g. Rubbermaid®) needs to be installed inside the utility cabinet for the used grounds.**

-
1. Installez le nouveau cabaret d'égouttement (fourni dans ce kit) directement sous l'infuseur. **Le contenants à déchets de la machine n'est plus requis, cependant, un contenant de plastique (ie Rubbermaid®) doit être installé dans le cabinet utilitaire pour ramasser le café usagé.**