



COIN CHANGER SYSTEM

Installation and Operation

IMPORTANT: This system uses MDB technology and only operates with the Coinco 9302 CGX (Canada) or 9302 GX (U.S.) model coin changers. Using any other model of coin changer will damage both the changer unit and the Caffè Mio electronics.

Software Version 4.0.1



CAFFÈ MIO COIN CHANGER INSTALLATION AND OPERATING INSTRUCTIONS

SECURE THE CHANGER UNIT ONTO THE RIGHT SIDE OF THE MACHINE

1. Insert two 8-32 screws (provided) into the clinch nuts on the top right side of the machine. **Do not tighten these screws yet.**
2. Mount the Changer unit onto the two top screws on the side of the machine (*figure 1*). **NOTE: The rear of the changer must be flush with the rear of the machine.**
3. Open the changer door and secure the bottom of the Changer Unit to the Caffè Mio using the two screws provided (*figure 2*). Install the screws from the inside of the Changer unit into the holes on the wall of the Caffè Mio.
4. Making certain the Changer Unit is properly aligned on the side of the Caffè Mio, tighten all four screws using a short Phillips screwdriver.

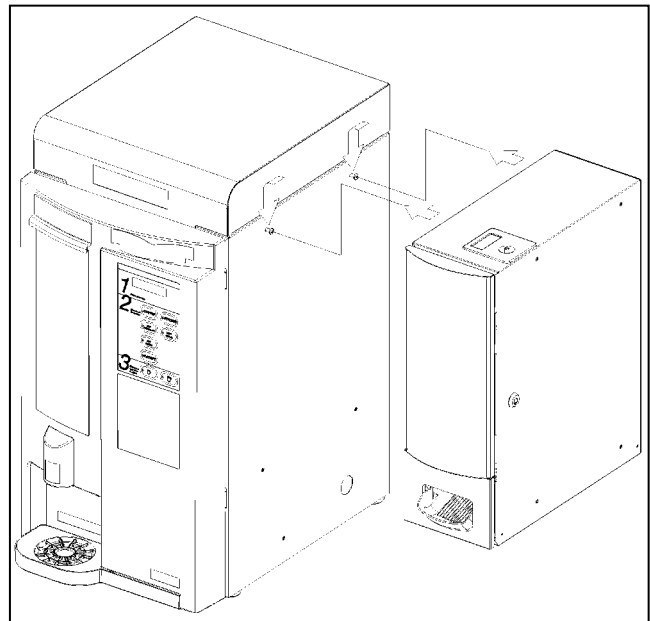


Figure 1 - Mount changer to the side of machine.

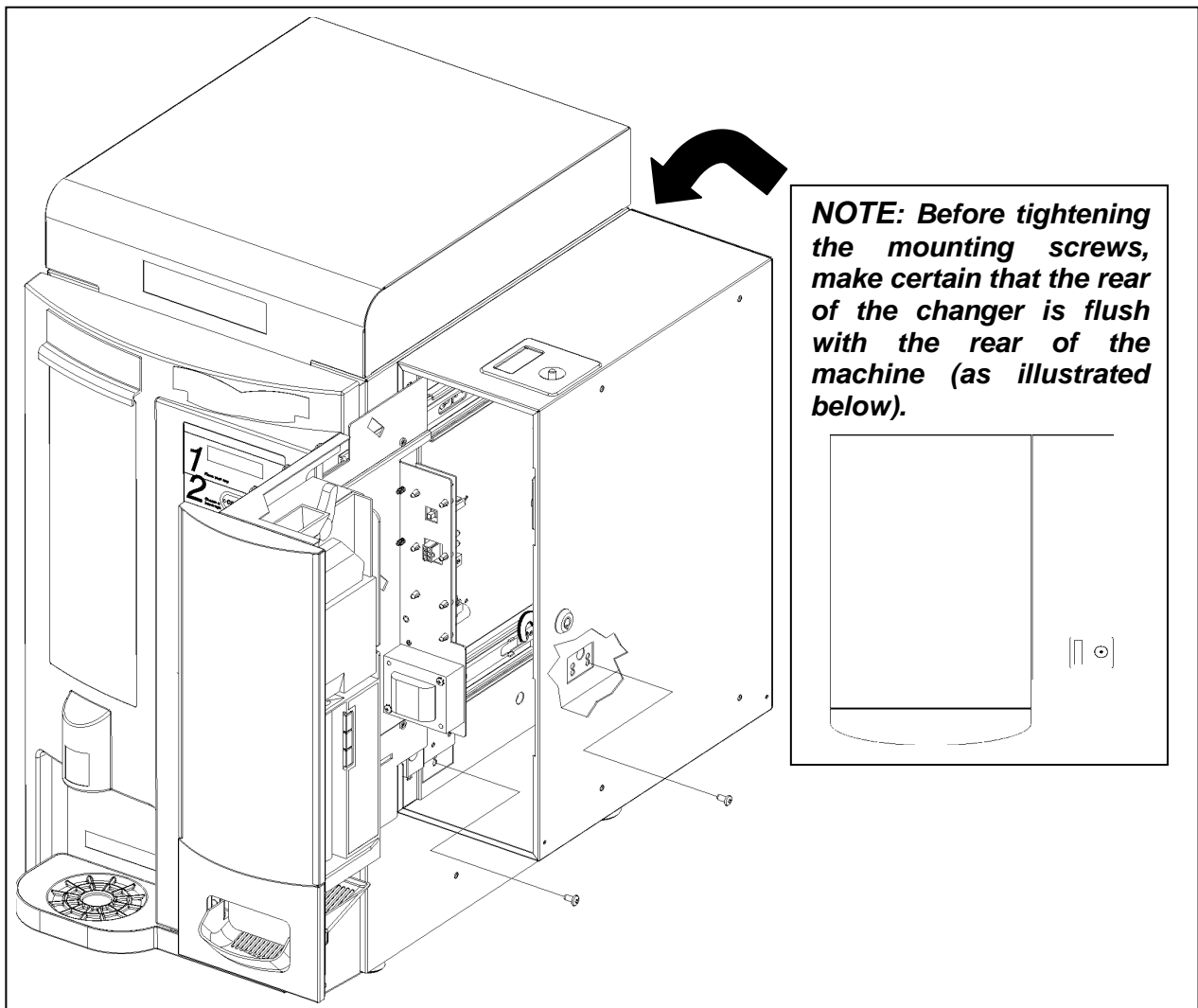


Figure 2 - Install two screws to secure the lower portion of changer to the machine.

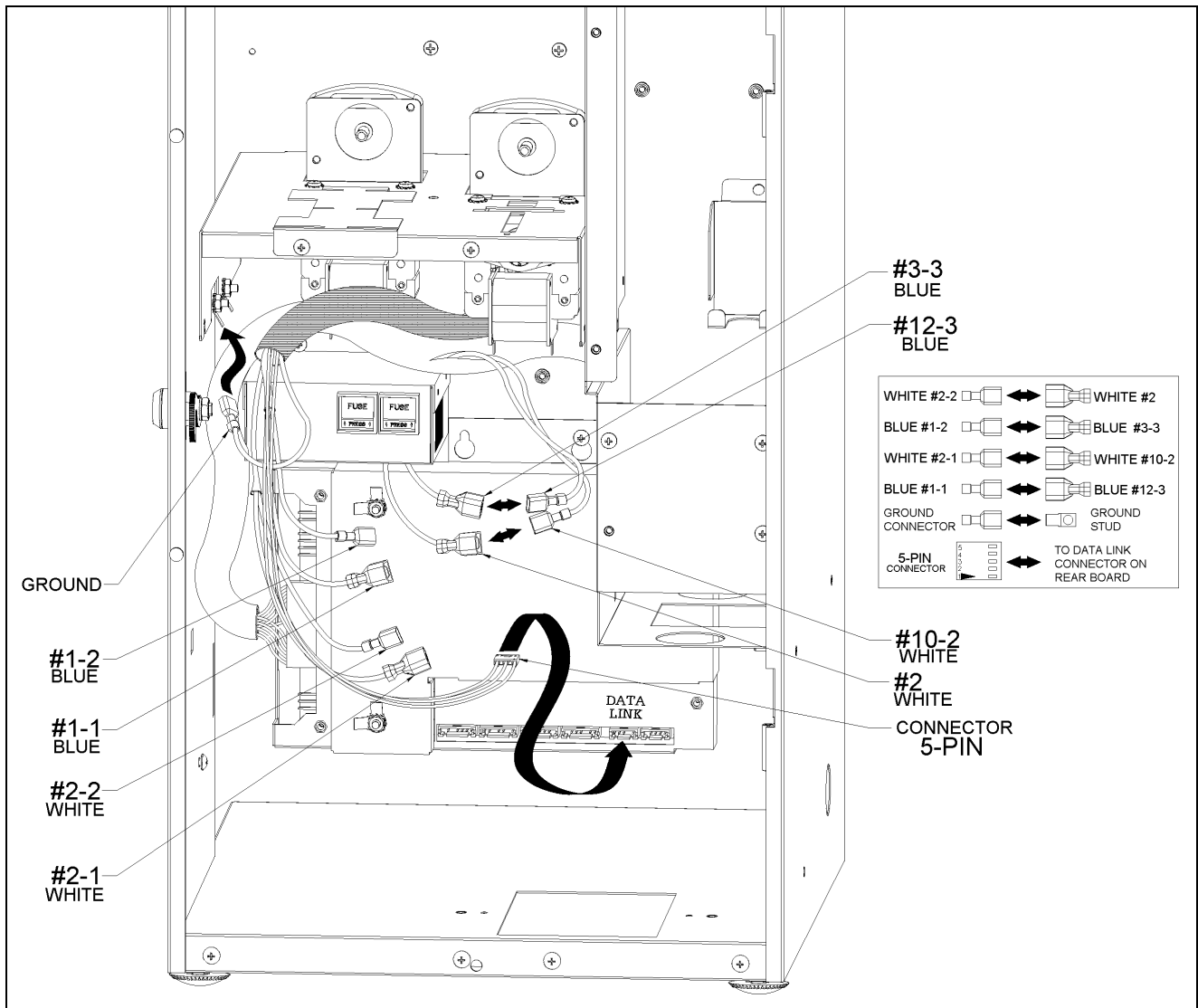
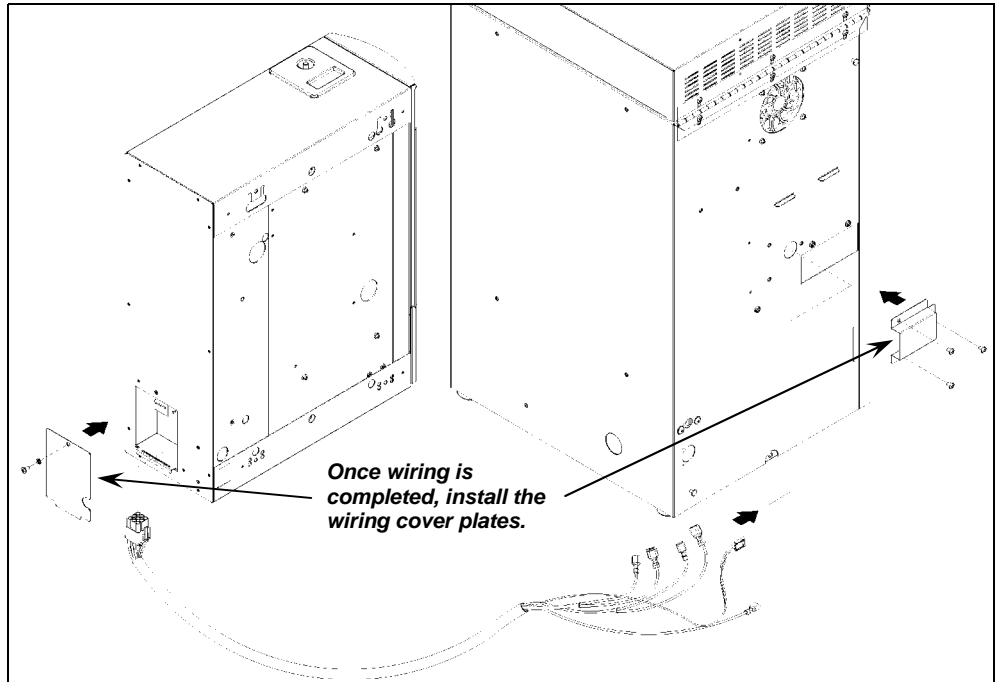
CAFFÈ MIO COIN CHANGER INSTALLATION AND OPERATING INSTRUCTIONS

ELECTRICAL CONNECTIONS

Caffè Mio Changer Unit Wiring

(Caffè Mio and Changer Unit are shown separated in this illustration for reference purposes).

Pass the wiring harness through the hole at the rear of the machine, and then make all the necessary connections inside the machine.



CAFFÈ MIO COIN CHANGER INSTALLATION AND OPERATING INSTRUCTIONS

INSTALLING THE COIN CHANGER

IMPORTANT: This system uses MDB technology and only operates with the Coinco 9302 CGX (Canada) or 9302 GX (U.S.) model coin changers. Using any other model of coin changer will damage both the changer unit and the Caffè Mio electronics.

Once the changer unit has been installed onto the Caffè Mio, install the coin changer into the changer unit. **Use the diagram on the next page as a quick reference.**

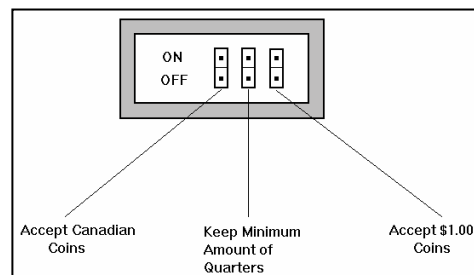
➤ **Note:**

The machine power MUST be switched OFF when connecting or disconnecting the coin changer. Failure to do so will damage the coin changer and the electronics in the machine.

1. **Unlock the changer unit and pull the sliding wall towards you.**
2. **Rotate the latch on the inside of the changer unit.**
3. **Turn the front portion of the sliding wall towards the left.**
4. **Loosen the three changer mounting screws on the sliding wall.**
 - a) Using a Phillips screwdriver, loosen (but do not remove) the three mounting screws.
5. **Remove the 'Acceptor' unit from the coin changer.**
 - a) Lift the two locking tabs on top of the coin changer.
 - b) Pull the acceptor towards you. It will pivot, with the base portion remaining in place.
 - c) Disconnect the ribbon cable and remove the acceptor.

6. **Set the changer to accept and reject certain currencies and denominations of coins.**

- a) Locate the DIP switches on the inside of the coin changer and adjust them accordingly. Consult the diagram (right) for the function of each switch.



7. **Slide the 'key-hole' slots of the changer onto the mounting screws.**

- a) Having removed the acceptor, you will see three 'key-hole' slots on the rear wall of the changer. Align these slots with the three mounting screws on the sliding wall.
- b) Slide the changer down until the three screws line up with the narrow part of the 'key-hole' slots.
- c) Tighten the three screws enough to secure the changer. Do not over-tighten.

8. **Partially fill the payout tubes with an appropriate amount of coins.**

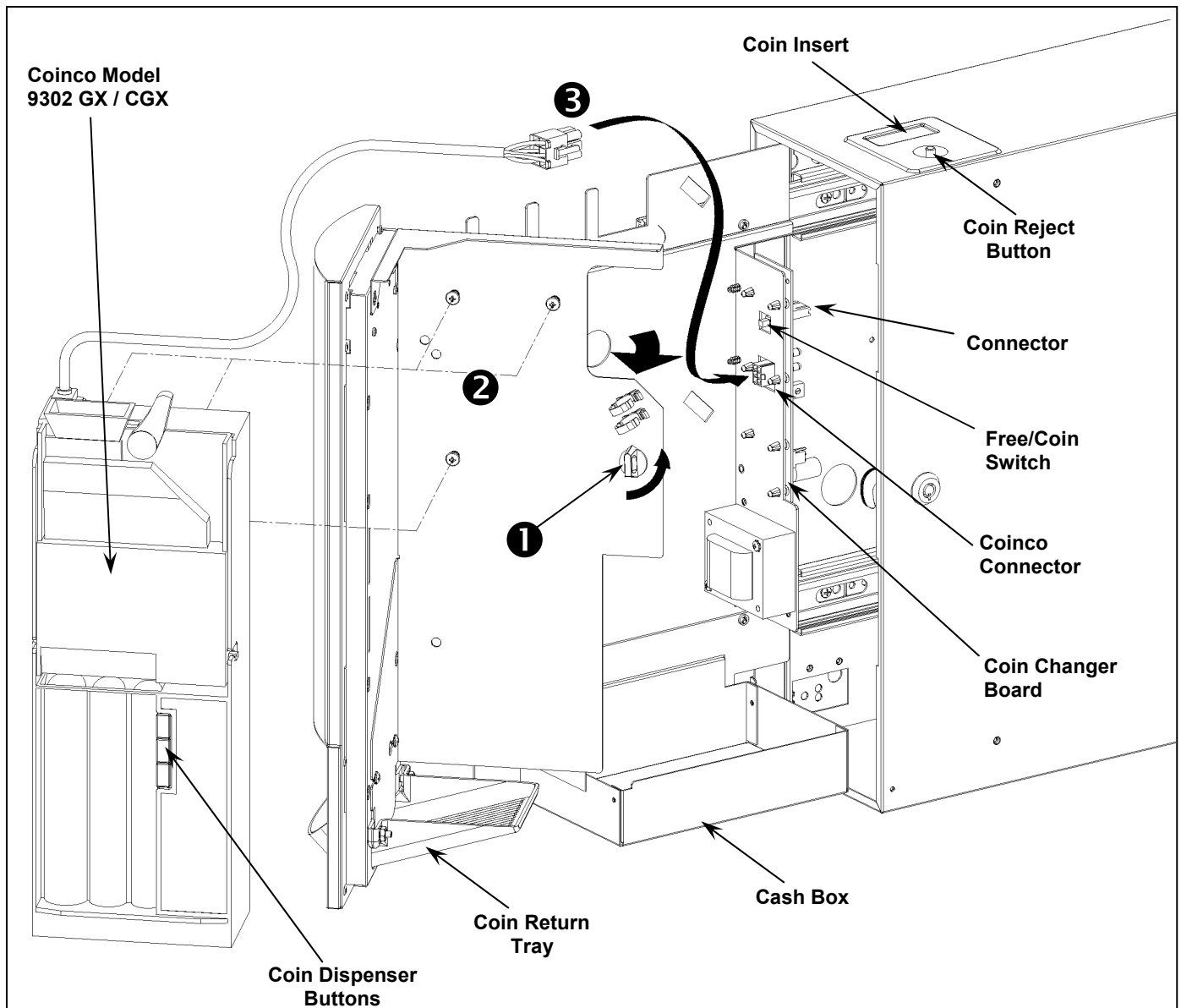
9. **Reconnect the ribbon cable and re-install the 'Acceptor' unit.**

10. **Plug the changer into the receptacle on the rear of the sliding wall.**

11. **Secure the changer wiring inside the clips of the sliding wall.**

12. **Push the sliding wall back into position and lock it.**

CAFFÈ MIO COIN CHANGER INSTALLATION AND OPERATING INSTRUCTIONS



CHANGER INSTALLATION REFERENCE AND COMPONENT IDENTIFICATION

- 1** Rotate the latch on the inside of the changer unit and swing the front portion of the sliding wall towards the left.
- 2** Loosen the three changer mounting screws on the sliding wall, mount the changer to these screws, then tighten to secure the changer in place.
- 3** Plug the changer into the connector on the rear of the sliding wall.

CAFFÈ MIO COIN CHANGER INSTALLATION AND OPERATING INSTRUCTIONS

USING THE COIN CHANGER FEATURES IN THE CAFFÈ MIO SOFTWARE

SETTING PRICES

1. To set the pricing, enter the “SET-UP” and scroll until the following message appears,

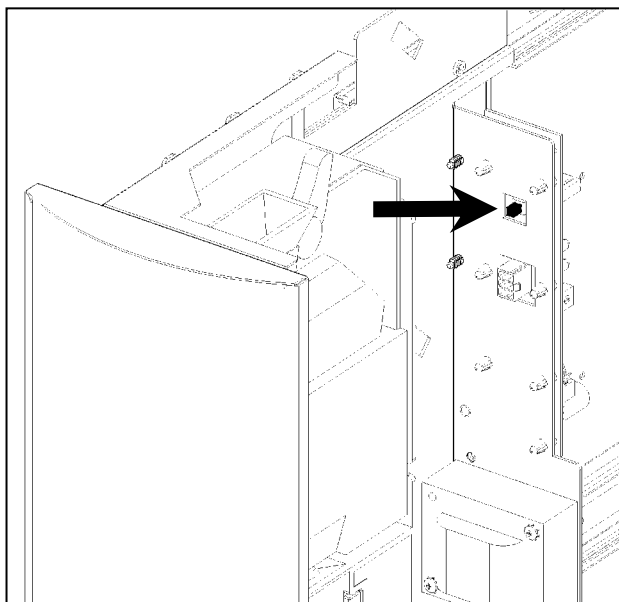
**‘SET-UP’
SET PRICE**

2. To enter the “SET PRICE” menu, press the “COFFEE” button on the selection panel.
3. Using the selection panel, select the product for which the price needs to be adjusted.
4. Increase or decrease the price by using the hidden “INCREASE” or “DECREASE” buttons on the selection panel.
5. To exit the “SET PRICE” menu, press the “SET-UP” button.

SET FREE/COIN

Although this feature can be accessed and set through the software (SET-UP mode), it is much easier to change the unit to “FREE” or “COIN” mode by accessing the mechanical FREE/COIN switch inside the coin changer unit. The following procedure describes how this is done.

1. Unlock the door on the coin changer unit.
2. Pull the front door towards you (the Caffè Mio coin changer assembly is on a track and is part of the front door).
3. Press the small button on the changer board to toggle the mode from “FREE” to “COIN” and vice-versa. This button is located at the back of the assembly (there is a cutout in the metal in front of the changer board).



Location of Free/Coin Button

CASH BOX COUNTER

1. To access the “CASH BOX COUNTER” menu, press the "SET-UP" button and scroll until the following message appears,

**CASH BOX
PRESS PRODUCT**

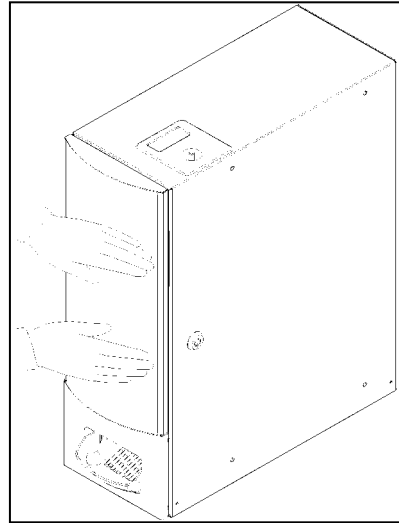
2. To view the “CASH BOX COUNTER”, press the “COFFEE” button on the Caffè Mio selection panel.
3. To reset the “CASH BOX COUNTER”, press the “COFFEE” and “CAFÉ MOCHA” buttons simultaneously.

INSTALLING THE PRICING DECALS

Although the Caffè Mio has an LCD display that indicates the price when a beverage is selected, you may also want to install pricing decals onto the graphics sheet found in the bezel on the outside of the front door. The following procedure describes how to install the pricing decals.

1. Place your hands on the top and bottom of one side of the protective plastic cover.
2. Grip the side of the plastic and pull it inwards to free it from the frame.

Remove the clear plastic cover and the graphics sheet from the frame.



3. Once the plastic cover is loose, remove it from the door.
4. Remove the graphics sheet from behind the plastic cover.
5. Using the decal sheet provided, peel off the product, cup size and price decals required and stick them onto the graphics sheet.

Example of the pricing decal layout on the graphics sheet.

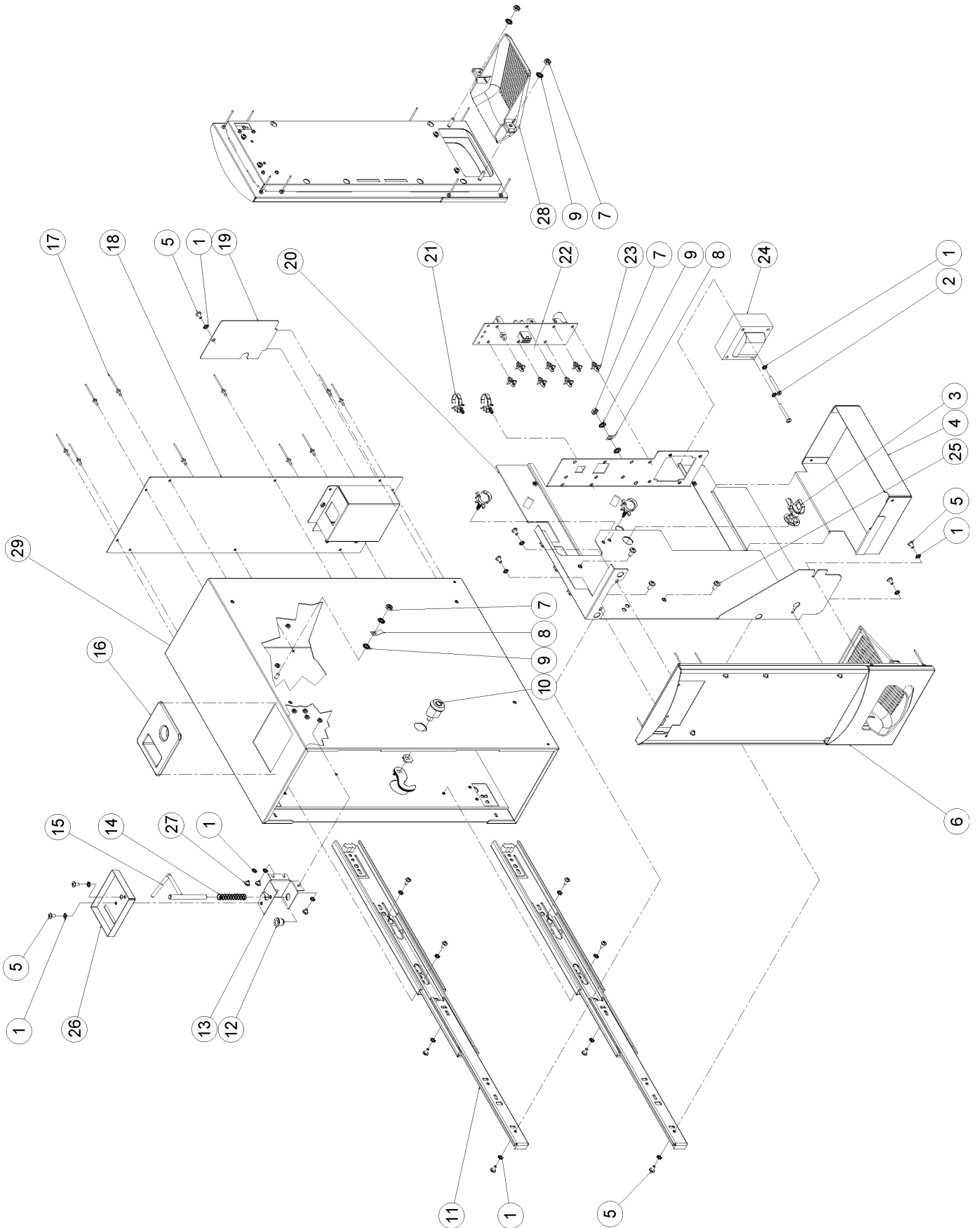
A diagram showing the pricing decal layout on the graphics sheet. The decal is a grid with five rows and two columns. The first row has two columns for cup sizes: a small cup icon and a large cup icon. The second row has two columns for prices: \$0.23 and \$0.50. The third row has two columns for prices: \$0.23 and \$0.50. The fourth row has two columns for prices: \$0.23 and \$0.50. The fifth row has two columns for prices: FREE and FREE. The sixth row has two columns for prices: \$0.23 and \$0.23. The decal is shown being placed onto a graphics sheet that has a faint outline of a coffee cup and a coffee machine.

6. Once done, place graphics sheet inside the plastic cover.
7. Place plastic cover (and graphics) into the track on one side of the frame.
8. Pull the other side of the plastic cover (with the graphics) inwards and lock it into the track on the other side of the frame.

ASSEMBLY DRAWINGS AND PART NUMBERS



CAFFÈ MIO COIN CHANGER INSTALLATION AND OPERATING INSTRUCTIONS



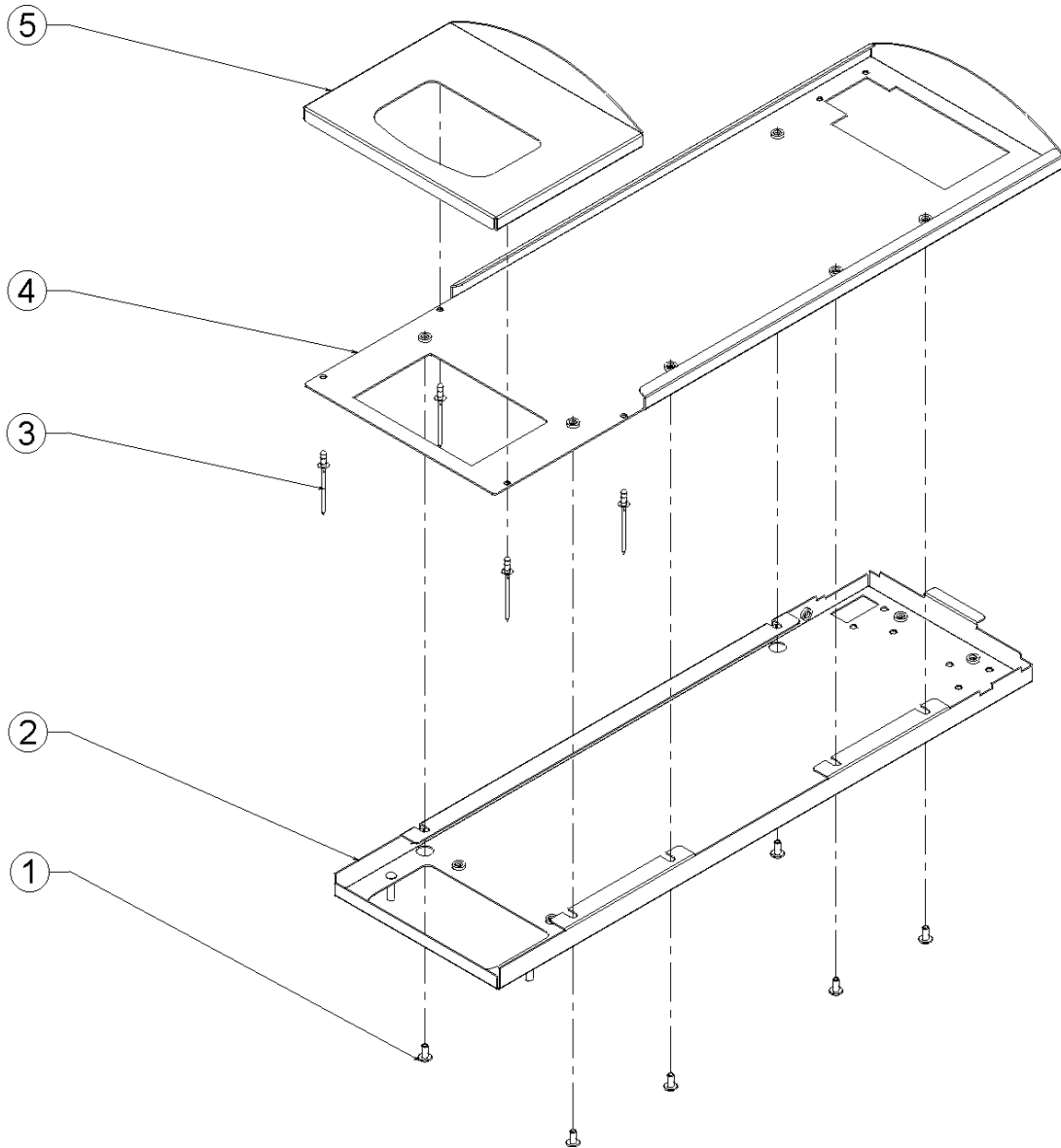
CAFFÈ MIO COIN CHANGER INSTALLATION AND OPERATING INSTRUCTIONS

#	Description	Part #
1.	Lock Washer, #6 Ext. Tooth	T006421
2.	Screw, 6-32 x 1.25, Pan	T019561
3.	Latch	M019048
4.	Cash Box	L311031C4
5.	Screw, 6-32 x 5/16, TRS	T620541
6.	Assembly, Changer Door	E410278
7.	Hex Nut, 8-32, Reg	T008511
8.	Terminal, .250, Mountable	M019559
9.	Lock Washer, #8 Ext. Tooth	T008421
10.	Lock, Changer, #8645	M110159
11.	Slide (Track)	M310316
12.	Bearing	M014096
13.	Bracket, Coin Reject	K011246C4
14.	Spring, 0.300 OD x 1.75	M017040
15.	Weld, Rod, Coin Reject	L111008SS
16.	Coin Insert Block	M014049
17.	Pop Rivet, Dome Head	T019169
18.	Back Panel	L411179C4
19.	Connector Cover Plate	K011245C4
20.	Sliding Wall	L411180C4
21.	Clip, Wire, 1/2"	M019189
22.	Board, Changer, LCD, MDB	M210290
23.	Support, PCB, Nylon	M019186
24.	Transformer	M018021
25.	Screw, 10-32 x 3/8, Pan	T102069
26.	Cover, Coin Insert	K011242C4
27.	Screw, 6-32 x 3/16, TRS	T620341
28.	Coin Return Tray	M034082
29.	Weld, Box Assembly	L511021C4

NOT SHOWN

	Harness, Changer	M310362
	Harness, Output	M310363
	Harness, 8-Pin	M029074
	Decal, Coin Insert	M016519
	Window, Changer	M034048
	Artwork	M036042
	Gasket	M039037

CAFFÈ MIO COIN CHANGER INSTALLATION AND OPERATING INSTRUCTIONS



#	Description	Part #
1.	Screw, 6-32 x 5/16, TRS	T620541
2.	Back, Door	K031224
3.	Pop Rivet, Dome Head	T019169
4.	Frame, Door	K041325
5.	Bottom, Door	K021419